



BLUE OX®

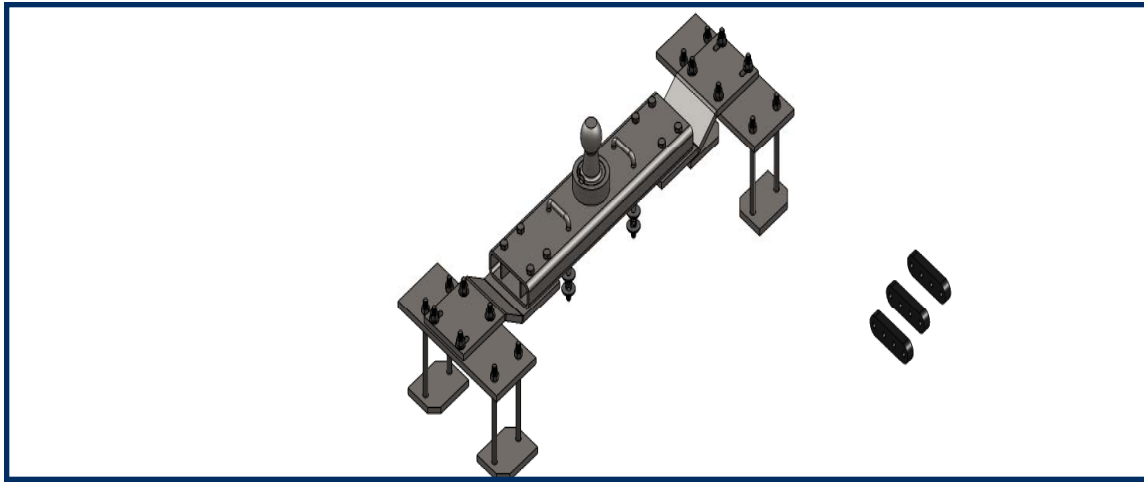
Gooseneck Hitch

DH1102

2003-11 Dodge Ram 2500 &
3500 Long & Short Beds
(Includes HD & Mega Cab)

Serial Number

Please read these instructions in their entirety before attempting to install or operate this equipment.



The Gooseneck Hitch is rated to 30,000 lbs. Gross Towing Weight and 7,500 lbs. Tongue Weight.



WARNING

Refer to your vehicle's owner's manual for maximum towing capacity. DO NOT overload your vehicle - failure to follow vehicle manufacturer's recommendations could result in damage to your vehicle, personal injury or death.



WARNING

Failure to read and follow these instructions could result in separation of the trailer from the truck, causing property damage, loss of towed vehicle, personal injury or death.

DH1102
2003-11 Dodge Ram 2500 & 3500
Short and Long Beds (Includes HD & Mega)
Installation Instructions



1. Clamp Z brackets in place to insure ball location prior to cutting hole in bed of truck.
2. Do not use any open flame under the truck bed to cut or weld. There is extreme danger of explosion or fire.
3. Vehicle must be securely blocked and brakes set before beginning to work underneath the vehicle.
4. Do not clamp hitch over any wiring or brake lines.
5. Always make sure trailer is loaded slightly tongue heavy. Do not pull a trailer that is lighter on the tongue end.
6. The installer must instruct the operator on proper ball installation and locking procedures.
7. Be sure the user receives all instructional materials.

If the Gooseneck Hitch is in an accident, it must be replaced. **DO NOT** use it again! An accident can cause unseen damage and using it again could result in more damage or serious injury. **DO NOT** use the Gooseneck Hitch if it is damaged or missing parts.

DH1102

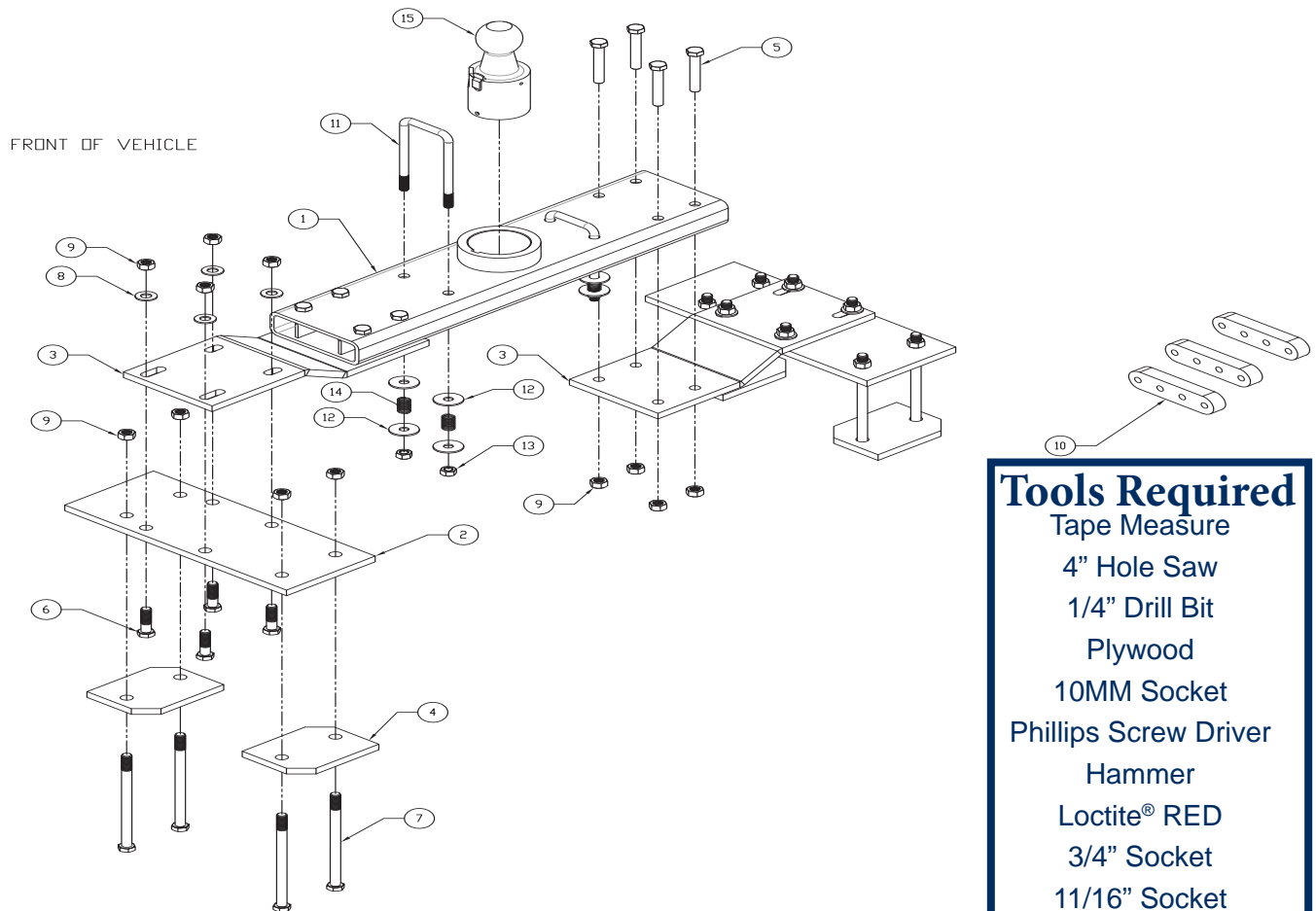
2003-11 Dodge Ram 2500 & 3500

Short and Long Beds (Includes HD & Mega)

Installation Instructions

Parts List

Ref. No.	Qty.	Part #	Description
1	1	61-6351	WLDMT, DH CROSSMEMBER 25"
2	2	61-6353	WLDM'T, TABLE PLATE
3	2	102-6779	Z PLATE, DODGE, DH
4	4	102-6776	FRAME CLAMP, DH
5	8	201-0799	1/2-13 X 3 1/4 HEX BOLT, GR5, ZP
6	8	201-0283	1/2-13 X 2 HEX BOLT, GRD 5, ZP.
7	8	201-0800	1/2-13 X 8 1/2 HEX BOLT, GR5, ZP
8	8	203-0005	1/2 FLAT WASHER, ZP
9	24	202-0094	1/2-13 HEX NYL. INS. LOCK NUT, ZP
10	3	250-0224	RUBBER TAILPIPE HGR, LG, 4 HOLE, DUR70
11	2	201-0803	7/16-14 X 6 X 2.5 SQ U-BOLT, GR5 ZP
12	8	203-0091	7/16 SAE FLAT WASHER (ZP)
13	4	202-0128	7/16-14 NYLON LOCK NUT
14	4	222-0091	SPRING, COMP, .60 OD X 2 L X Ø.049
15	1	62-3604	BALL ASSEMBLY, DIAMOND HITCH



- ### Tools Required
- Tape Measure
 - 4" Hole Saw
 - 1/4" Drill Bit
 - Plywood
 - 10MM Socket
 - Phillips Screw Driver
 - Hammer
 - Loctite® RED
 - 3/4" Socket
 - 11/16" Socket
 - 1/2" Drill Bit

Important:

Use only genuine factory replacement parts on your Gooseneck Hitch. Do **NOT** substitute homemade or non-typical parts. If a bolt is lost or in need of replacement, for your safety and the preservation of your hitch, be sure to use a replacement bolt of the same grade (In most cases it will be Grade 5, please reference the parts list above). Replacement parts may be ordered through your nearest Blue Ox® Dealer or Distributor. Failing to follow and/or altering these installation instructions in either installation or required equipment will void the manufacturer's warranty.

DH1102
2003-11 Dodge Ram 2500 & 3500
Short and Long Beds (Includes HD & Mega)
Installation Instructions



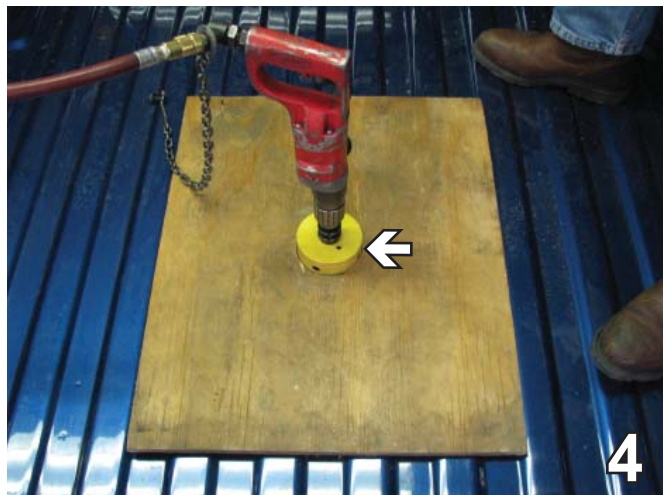
1. Using the jack handle tool, remove the spare tire as per the truck owner's manual. Release the tailpipe from the rear hanger.



2. To assure not drilling the ball hole into the wrong location: On the underside of the bed measure from the rear of the bed (not the tailgate) forward 42" in short bed and 44 1/4" in long bed vehicle to insure the location of the ball is approximately 1" in front of the center line of the axle and check for Z-Bracket and frame clamp mounting clearances.



3. In the center (appx. 25 1/2" from the wheel well) , on the topside of the bed, measure from the rear of the bed (not the tailgate) forward 42" in short bed and 44 1/4" in long bed vehicle and mark.



4. To protect the truck bed, it is recommended to predrill a 4" hole in a piece of plywood. Then pre-drill a 1/4" hole as marked in the truck bed. Center the 4" hole in the plywood over the marked area and drill a 4" hole in the truck bed with the hole saw. Using plywood while drilling will help stabilize the hole saw.

DH1102
2003-11 Dodge Ram 2500 & 3500
Short and Long Beds (Includes HD & Mega)
Installation Instructions



5. Unhook the rear hanger from the tail pipe. Use silicon spray on the rubber grommet to slip off easier. Set grommet aside to be reinstalled later.



6. On the front side of the muffler forward of the front axle are two more hangers to remove. Use silicon spray and slide them off. Set hangers aside to be reinstalled later.



7. On the driver side, using a 10MM socket remove the ground wire which goes over the top of the frame and reconnect on the other side.



8. On the driver side underneath the vehicle by the gas tank there is a bracket where the brake line goes in with an existing hole. Attach the ground wire with a 1/4 x 1" bolt, lock washer, flat washer and whiz nut.

DH1102

2003-11 Dodge Ram 2500 & 3500 Short and Long Beds (Includes HD & Mega)

Installation Instructions



9. Insert the 1/2 x 3 1/4" bolts in both sides of the cross member before aligning the ball hole with the hole in the truck bed.



10. Slide the Z-Bracket up onto the frame rail. Then lift up on the cross member assembly and allow the bolts to fall into place on the Z-Bracket. Loosely install the 1/2-13 whiz nuts to the bolts. Do this on both sides.

BE SURE TO USE LOCTITE® RED ON ALL BOLTS BEFORE TIGHTENING. TIGHTEN ALL BOLTS ACCORDING TO TORQUE SPECIFICATIONS.



11. **2011:** Using a Phillips screwdriver, remove the two screws on the wheel well plastic just above the rear tires.. Do this to both sides of the vehicle. Set the cover and screws aside to be reinstalled later.



12. **2011:** On the drivers side only using a hammer, tap the hanger holding the hose to move it forward so there is room for the clamp.

2003-11 Dodge Ram 2500 & 3500 Short and Long Beds (Includes HD & Mega)

Installation Instructions



13. Slide the table plate on top of the frame rail underneath the Z-Bracket with the four offset holes toward the front of the vehicle (see inset). Align the two center holes of the table plate to the holes in the Z-Bracket. Install 1/2" X 2" bolts, 1/2" flat washers and 1/2-13 nylon lock nuts. Use Loctite Red on all bolts including the 3/4" bolts and torque to 75 ft. lbs. Do this to both sides of the vehicle.



14. Attach the frame clamp to the bottom side of the frame with the 8 1/2" bolts, 1/2" flat washers and 1/2-13 nylon lock nuts. This clamps the whole assembly around the frame. The frame clamps are notched to clear the existing parts. Use Loctite Red on all bolts and torque to 75 ft. lbs. There are two plates per side. Do this to both sides of the vehicle.



15. Using the cross tube as a template, drill four holes up through the cross tube into the truck bed for the breakaway cable tie points, with the 1/2" drill bit.



16. Drop the 7/16-14 x 6 x 2 1/2" U-bolts through the holes in the bed and install the springs and 7/16-14 lock nuts. Tighten the nuts until they are against the spring, without compressing it.

DH1102
2003-11 Dodge Ram 2500 & 3500
Short and Long Beds (Includes HD & Mega)
Installation Instructions



17. Underneath the vehicle on the back side of the muffler, using a 16MM wrench loosen, remove the alignment pin and turn the back tailpipe a little bit.



18. Reinstall the two existing rubbers on the exhaust.



19. Install the new extended rubber on the back. Reinstall the alignment pin and tighten the muffler back up.

DH1102
2003-11 Dodge Ram 2500 & 3500
Short and Long Beds (Includes HD & Mega)
Installation Instructions

Installing the Revers-A-Ball



1. Align pin (see grey arrow) with slot in hitch (see white arrow). Drop into receiver cylinder and depress locking tab.



2. Twist the ball 30 degrees clockwise while lifting slightly until ball drops into position and locking tab snaps in place.

Removing the Revers-A- Ball



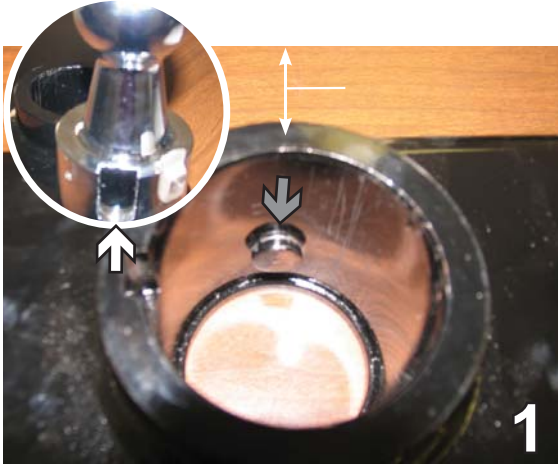
1. Push in the locking tab and then lift and rotate the ball assembly counterclockwise. Continue rotating and lifting until the ball stud clears the receiver cylinder.

DH1102

2003-11 Dodge Ram 2500 & 3500 Short and Long Beds (Includes HD & Mega)

Installation Instructions

Storing the Revers-A-Ball



1. Align pin with storage slot in hitch.



2. Push in the locking tab and let the ball assembly drop into the receiver cylinder.

3. Pull the ball straight up to remove it from the stored position.

Customer Service Commitment

Blue Ox is committed to providing you with exceptional customer care throughout your lifetime with our products. Our team is here to assist you with any questions you may have regarding the performance of your product. Simply call 1-402-385-3051 and you can speak with our customer care team.

Additionally, please visit our website to see which rallies our Destination America team will be attending. For a nominal fee, our service technician will service your towing system to ensure it's in proper working condition. Also, as a commitment to our customers, should you visit our factory you can stay at our full service Blue Ox campground at no charge along with enjoying a factory tour.

Again, thank you for being our customer and for the confidence you have shown in the performance of our products. It is because of customers like you we enjoy the success we have today.



© 2008, 09, 11 Blue Ox
One Mill Road, Industrial Park
Pender, Nebraska 68047
Phone: (402) 385-3051 • Fax: (402) 385-3360
www.blueox.com