



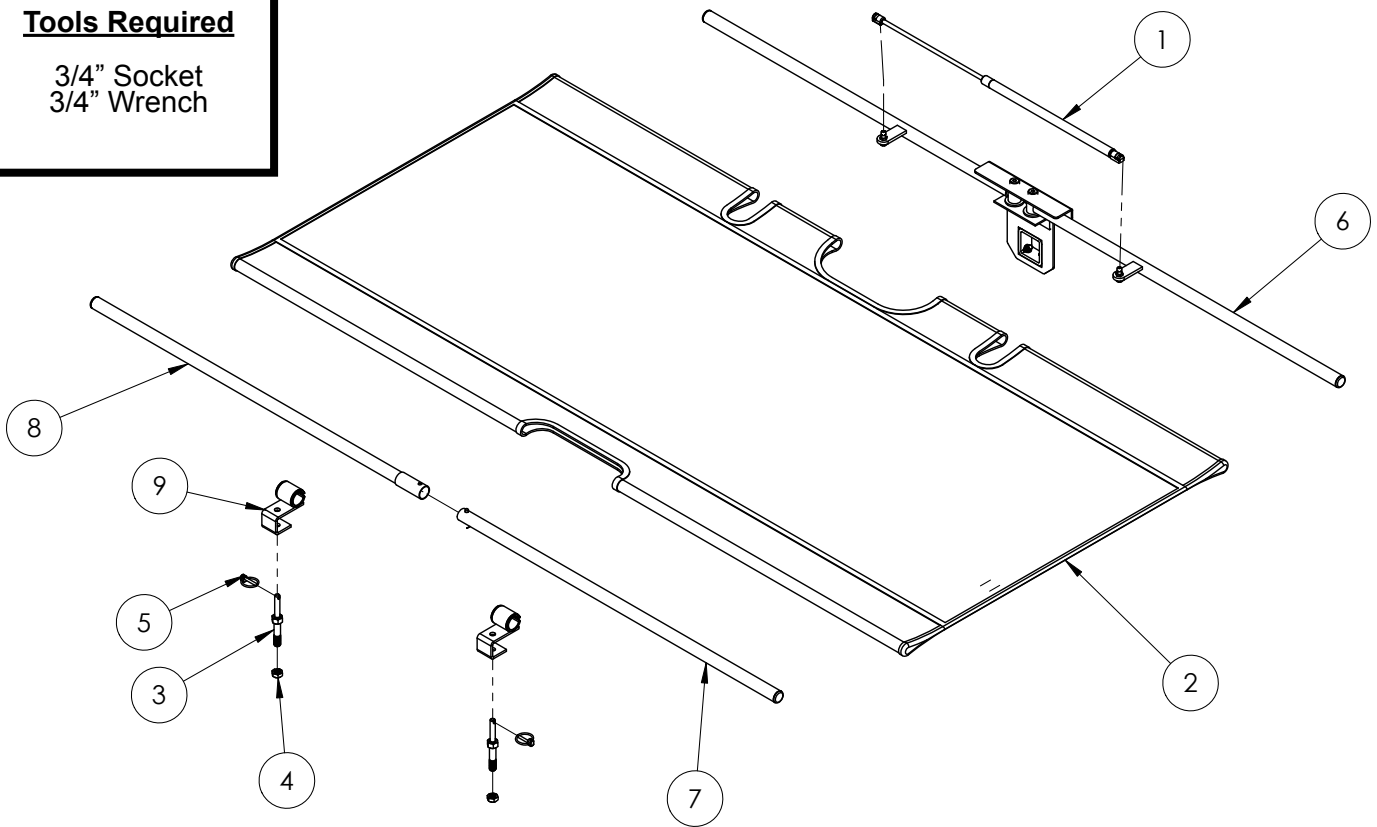
BX88255
KarGard™ II
Installation Instructions



KarGard™ II Polypropylene Protective Screen
(73-1/2"W x 39"L Installed Dimensions)

BX88255
KarGard™ II
Installation Instructions

<p>Tools Required</p> <p>3/4" Socket 3/4" Wrench</p>



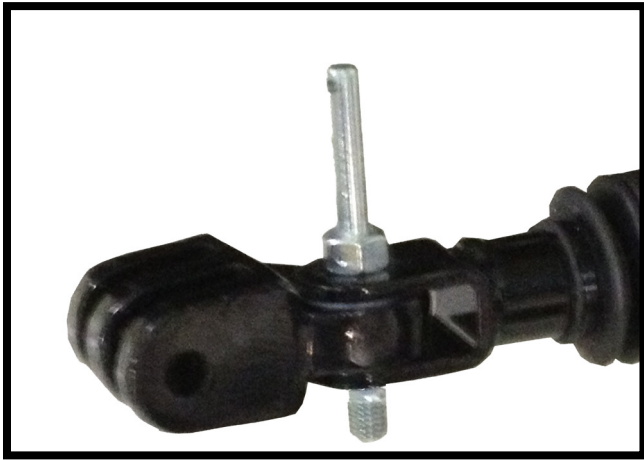
Item No.	Part No.	Description	Qty.
1.....	227-0117	Gas Spring, 110lbs	1
2.....	270-0065	BX88255 Protective Screen (73-1/2" x 36")	1
3.....	299-0620	Leg Support, ZP	2
4.....	202-0143	1/2"-13 Essna Jam Nut, ZP	2
5.....	229-0829	3/16" x 1-1/4" Linch Pin	2
6.....	62-3805	Front Arm Mount.....	1
7.....	62-3801	Rear Arm w/Lock.....	1
8.....	62-3802	Rear Arm w/o Lock.....	1
9.....	62-3800	Clamp Bracket.....	2
	62-4038	Avail Clamp Bracket	2

Note: It is recommended that a tow bar deviation of +0"/-3" is used when the KarGard™ II is used with standard Blue Ox® tow bars.

The KarGard™ II is designed to fit standard Blue Ox® baseplates with a tab width of 28" or less. If tab width exceeds 28" a longer tow bar hitch connector may be needed. Additional parts may be required for fitment to other manufacturer's equipment.

If using the KarGard™ II on an Avail tow bar manufactured after 12/10/15 the minimum tab width on the baseplate is 31".

BX88255
KarGard™ II
Installation Instructions



1. Using the 3/4" Socket and wrench, replace the existing bolts of the tow bar legs with the leg supports and 1/2"-13 essna jam nuts.



2. Slide the KarGard™ II onto the receiver tube of the tow bar, then install the tow bar onto the towing vehicle per the tow bar instructions. Extend the legs of the tow bar until the leg support lines up to the holes in the clamp brackets. Install the 3/16" lynch pins to secure together.



3. Hook up the tow bar to the towed vehicle per the tow bar instructions. Slide the front arm towards the motorhome along the receiver mount until the screen is tight, then tighten the bolts on the underside to secure in place.



4. When not in use, roll the KarGard™ II up and secure with the attached velcro strips.

CAUTION

Use an exhaust "turn down" to redirect the engine exhaust, if located directly below the KarGard™ II. The KarGard™ II fabric may be warped or otherwise damaged if a turn down is not installed, or if other exhausts which cannot be redirected are in close proximity to the fabric.

BX88255
KarGard™ II
Installation Instructions



CUSTOMER SERVICE COMMITMENT

Blue Ox® is committed to providing you with exceptional customer care throughout your lifetime with our products. Our team is here to assist you with any questions you may have regarding the performance of your product. Simply call (402) 385-3051 and you can speak with our customer care team.

Additionally, please visit our website to see which rallies our Destination America team will be attending. For a nominal fee, our service technician will service your towing system to ensure it's in proper working condition. Also, as a commitment to our customers, should you visit our factory, you can stay at our full service Blue Ox® campground at no charge along with enjoying a factory tour.

Again, thank you for being our customer and for the confidence you have shown in the performance of our products. It is because of customers like you we enjoy the success we have today.

© 2015 Blue Ox
One Mill Road, Industrial Park
Pender, Nebraska 68047
Phone: (402) 385-3051
Fax: (402) 385-3360
www.blueox.com