



Installation Instructions

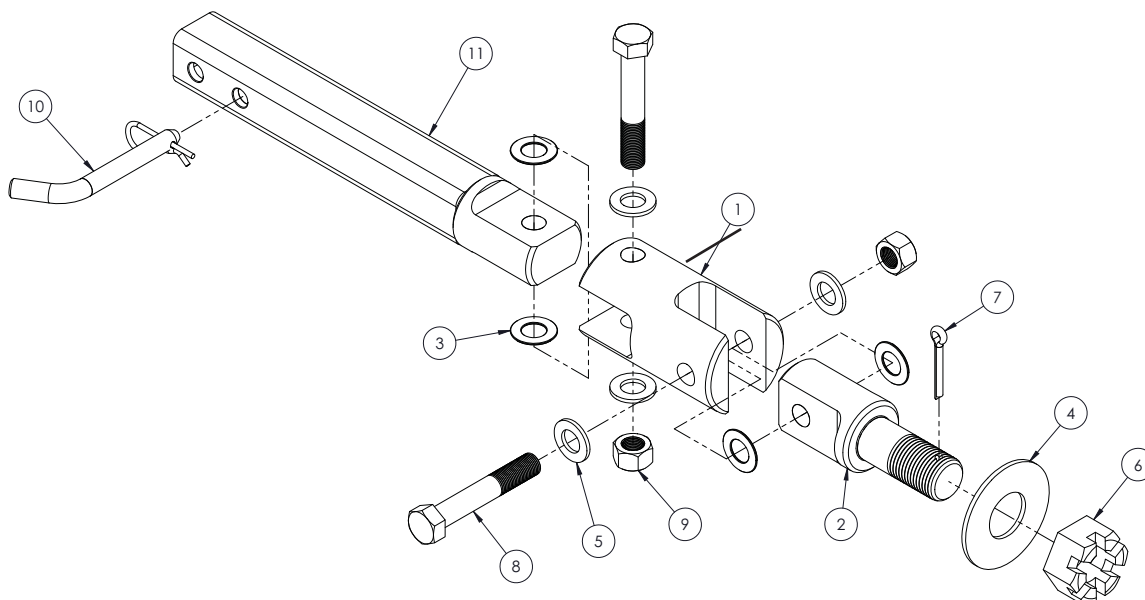
BX88253

2" Receiver Adapter BX7520P

**When BX88253 is used with BX7520P it is rated at 15,000 lbs.,
not 20,000 lbs.**

Serial No.

1. Remove the cotter pin (7) from the lunette ring.
2. Take off the castle nut (6).
3. Pull the lunette ring.
4. Slide the receiver adapter onto the tow bar.
5. Attach the castle nut (6).
6. Insert the cotter pin (7) through the yoke pivot (2).



Parts List

Ref. No.	Qty.	Part No.	Description
1	1	207-0946	YOKE, 2 1/2" RCVR, BX88251
2	1	207-0947	YOKE PIVOT, 2 1/2" RCVR, BX88251
3	4	290-0360	SPACER, PLAS, 1/16 X 13/16ID X 1.5
4	1	203-0086	1-1/2 FLAT WASHER
5	4	203-0064	3/4 SAE FLAT WASHER
6	1	202-0191	1 1/2 INCH CASTLE NUT
7	1	229-0202	COTTER PIN, 1/4 X 2-1/2
8	2	201-0615	3/4-16 X 4 1/2 HEX BOLT, GRD. 5
9	2	202-0193	3/4-16 HEX CENT. DIMP LOCK NUT, ZP
10	1	200-1701	PIN, 5/8 X 4 EFF.,ZP,W/CLIP
11	1	61-6809	WLDM'T, 2" RCVR TUBE, BX88253