



BX1821 Installation Instructions 1993-2001 Nissan Altima

Utilization of Blue Ox baseplates with any tow bar not approved by Automatic Equipment Mfg. Co. invalidates the limited warranty.

1. Read the General Instruction Sheet included with this baseplate.
2. The front bumper and plastic belly pan of the car will need to be removed so the baseplate can be put on. Five bolts hold the belly pan to the frame of the car. Remove the four bolts on the bottom of the bumper with a Phillips screwdriver. Next the small grill will need to be removed. There are five plastic screws that fasten it to the frame. When the grill is off you will see three screws, remove these. Remove the front three Phillips screws from the fender well mouldings so you have access to the three bolts that hold the quarter panel to the bumper. You will need a 10mm socket and long extension to do this. Disconnect the electrical connections on each side of the bumper. The bumper is now ready to be removed.
3. On each end of the frame are black triangular brackets held by three bolts, remove these brackets. The bolts will be used for the baseplate, set them off to the side.
4. The holes on the baseplate (item 1) match to the holes of the bracket. With an assistant bolt the baseplate to the frame of the car. Be sure to use Loctite on each of the bolts. Tighten the bolts secure.
5. The center brace of the baseplate extends to the frame. Using the hole of the center brace as a guide, drill a 17/32" hole in the frame. Use the 1/2" bolt (item 6) and lock washer (item 5) along with the 1/2" wire nut (item 4) to secure the center brace to the frame. Use an existing hole on the frame to place the wire nut in the frame.
6. With the baseplate and attachment tab brackets secured, the belly pan can be put on. It may be necessary to trim some of the belly pan because of the center brace of the baseplate.
7. Install the tow bar and safety cables according to the instructions included in their packages.
8. Do not substitute other devices if the tow bar pin and clip are lost.
9. DEALER OR INSTALLER: BE CERTAIN THE USER RECEIVES THE INSTRUCTION SHEET.

Automatic

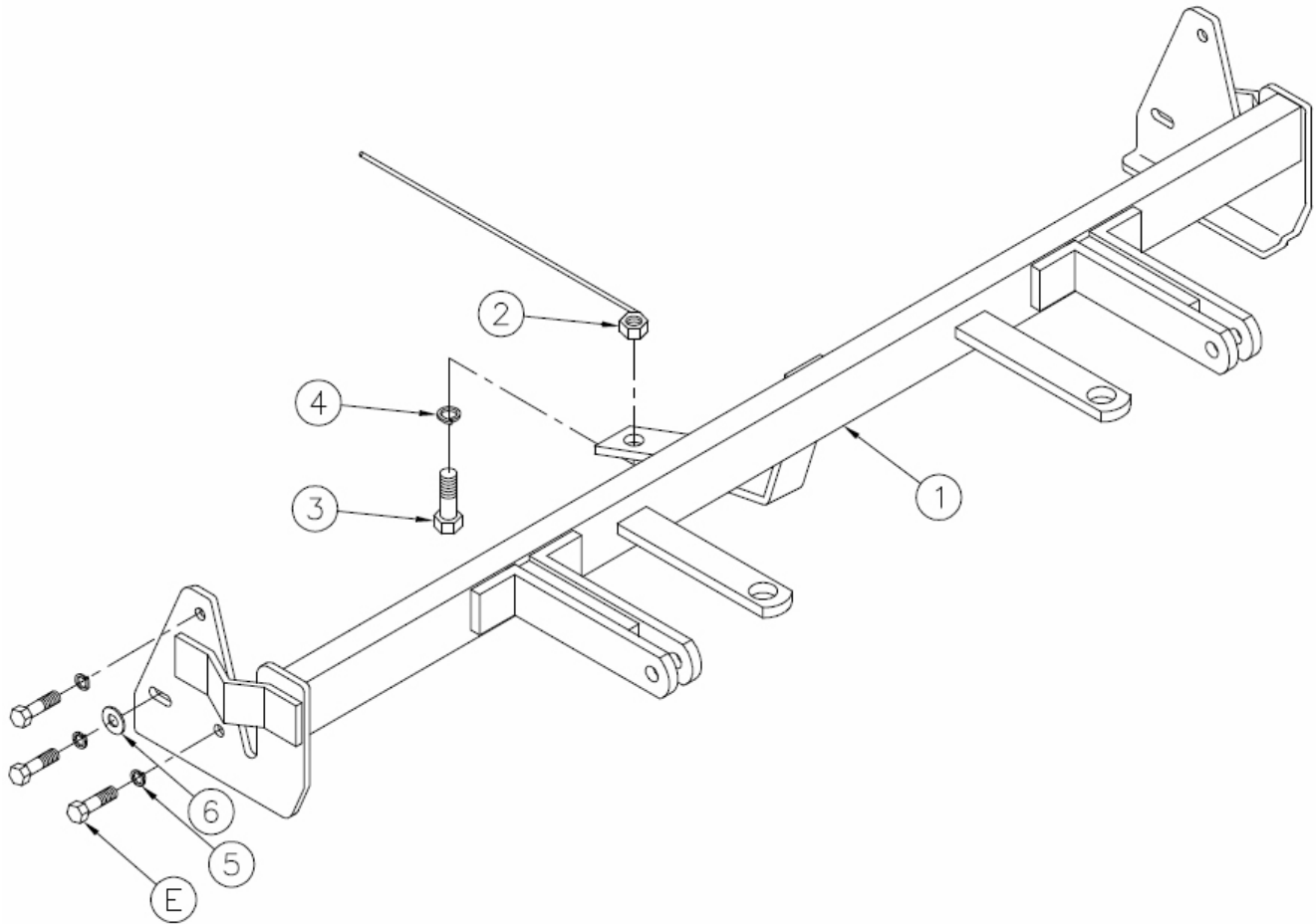


Tools Required

10mm Wrench
14mm Wrench
9/16" Wrench

Phillips Screwdriver
3/4" Wrench
Flat Screwdriver

Loctite Blue
17/32" Drill Bit
Drill



Parts List

| Ref. No. | Qty. | Part No. | Description |
|----------|------|----------------------|------------------------------------|
| 1 | 1 | 61-5293 | Weldment Baseplate, BX1821 |
| 2 | 1 | 61-4029 | 1/2" Wire Nut |
| 3 | 1 | 201-0568 | 1/2-13 x 1 1/2 Hex Bolt, Grd 8, ZP |
| 4 | 1 | 203-0012 | 1/2" Lock Washer |
| 5 | 6 | 203-0104 | 10MM Lock Washer, ZP |
| 6 | 2 | 203-0001 | 1/4" Flat Washer, ZP |
| E | 6 | | Existing 6MM Hex Bolts |
| 7 | 2 | 226-0046 (not shown) | Baseplate Safety Cable |
| 8 | 4 | 229-0359 (not shown) | Quicklink, 3/8" |

Automatic

General Information

1. Ensure that your product(s) are registered online at www.blueox.com. It is crucial to register your product(s) so that you may be alerted of product offerings, updates, upgrades, maintenance and safety bulletins, and/or recalls.
2. **It is the owner's responsibility to inspect all towing equipment for cracked welds, missing or worn parts and loose bolts before each towing trip.** Be sure to use Loctite® Red on all bolts and tighten to the recommended specifications.
3. **It is the owner's responsibility to hook up all towing equipment per manufacturer's instructions/recommendations.**
4. Remove the attachment tabs when not in use (if applicable).

Notice To Baseplate Installer

1. It is YOUR responsibility to watch for:

- Oil cooler and air conditioner lines
- Electrical wires and hoses
- Missing parts or attaching points on the frame

** If the baseplate is improperly installed and is against a wire or hose, it could cause fluid leaks or electrical shorts some time after the actual baseplate installation.

Permanent Baseplate Safety Cable Installation

Permanent baseplate safety cables are strongly recommended when towing a vehicle with a tow bar. The principle function of the permanent baseplate safety cables is to prevent the towed vehicle from breaking loose in the event the connection between the frame of the towed vehicle and the baseplate fails or becomes disconnected. The cables must be connected from the baseplate to the frame rail or cross member of the vehicle's frame. The illustrations below show the possible arrangements recommended by Blue Ox®. Each permanent baseplate safety cable must have an adequate weight rating for the towing system. The weight rating of the two (2) cables together will not qualify.

Do not mount the permanent baseplate safety cables against wires, hoses or brake lines.

These permanent baseplate safety cables should remain installed as long as the baseplate is installed on the vehicle. Permanent baseplate safety cables are to be used in conjunction with, and NOT a replacement for legally required safety cables attaching the towed vehicle to the towing vehicle.

OPTION #1

Permanent Baseplate Safety Cables to Cross Member or Frame of Towed Vehicle.



OPTION #2

Permanent Baseplate Safety Cables to Cross Member or Frame of Towed Vehicle.

