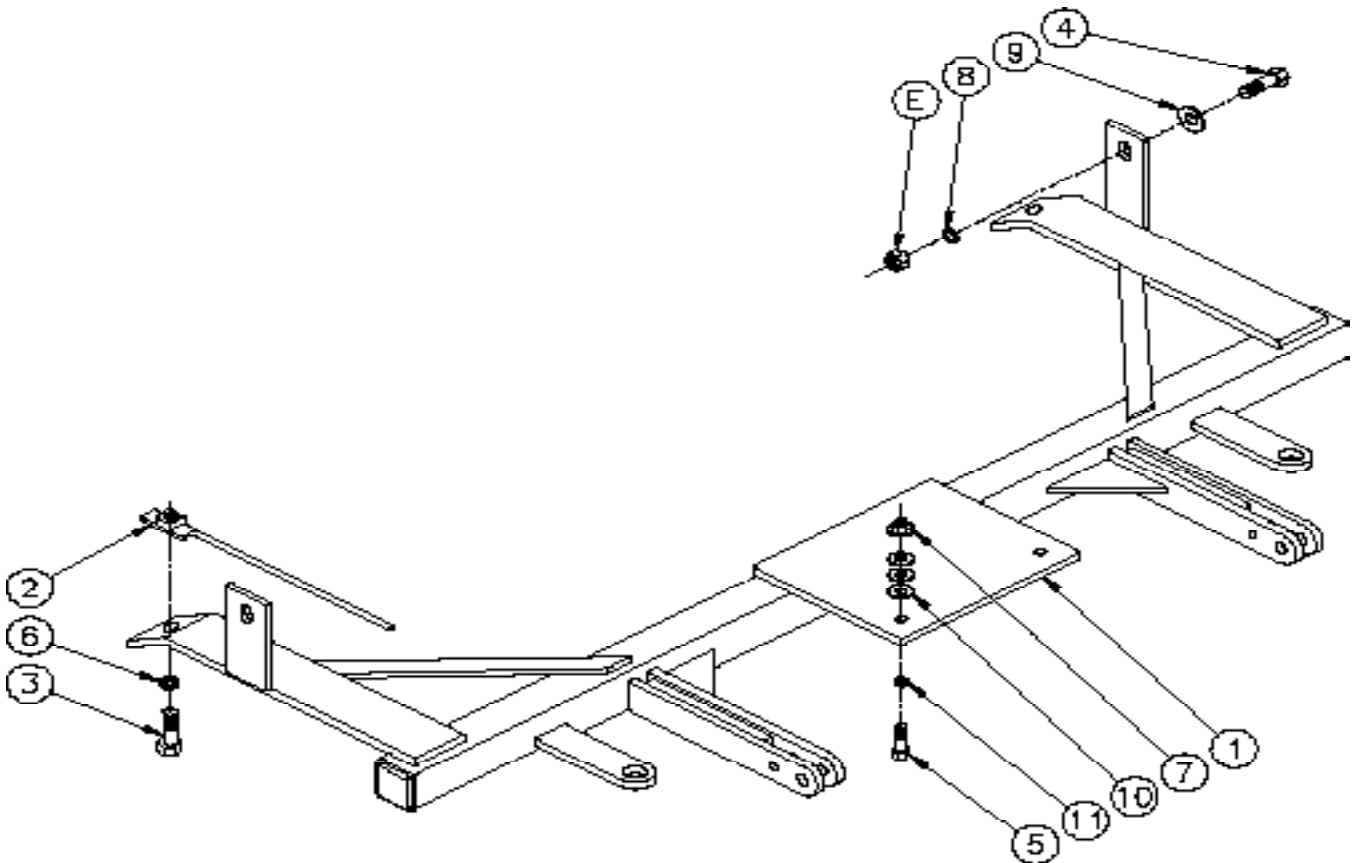


### Tools Required

8mm Socket	11mm Socket	15mm Wrench
18mm Socket	19mm Wrench	3/4" Socket
9/16" Wrench	9/16" Socket	13/32" Drill Bit
Flat Screwdriver	Phillips Screwdriver	17/32" Drill Bit
Loctite Blue	Tape Measure	

### Parts List

Ref. No.	Qty.	Part No.	Description
1	1	61-5133	Weldment, Baseplate, BX2134
2	2	61-3799	Weldment, Nut Plate
3	2	201-0283	1/2-13 x 2 Hex Bolt, Grd 5
4	2	201-0591	12mm-1.75 x 80mm Hex Bolt, Grd 8.8
5	2	201-0368	3/8-16 x 1 1/4 Hex Bolt, Grd 5
6	2	203-0012	1/2 Lock Washer
7	2	202-0071	3/8-16 Hex Whiz Nut
8	2	203-0105	12MM Lockwasher
9	2	203-0112	12MM Flatwasher
10	10	203-0003	3/8 Flatwasher
11	2	203-0010	3/8 Lockwasher
E	2		Existing Nut
	2	226-0046	Baseplate Safety Cable, 36" CL III (Not Shown)
	2	229-0359	Quicklink, 3/8, ZP (Not Shown)





## BX2134 Installation Instructions 1996 Ford Crown Victoria

These vehicles weigh over 3500 lbs and require a Class III (5000 lbs) rated tow bar, hitch, and accessories. Utilization of Blue Ox baseplates with any tow bar not approved by Automatic Equipment Mfg. Co. invalidates the limited warranty.

Installation of this baseplate requires removing the front bumper molding and the signal light moldings. Holes need to be drilled in the vehicle's frame. The plastic in front of the radiator will need to be notched and the bumper will need to be trimmed to allow the attachment tabs to protrude.

1. Read the General Instruction Sheet included with this baseplate.
2. The front bumper molding must be removed for access to the frame.
3. Remove the signal light moldings (not the headlights) on both sides of vehicle by removing the phillips screws on the outside and the two brass nuts on the inside front of the engine compartment. Detach the electrical connectors from the light moldings and set off to the side.
4. Now you should be able to see two brass bolts (two different sizes) that hold the bumper molding to the quarter panels of the car, remove these and the three phillips screws that are directly in front of the tires of the car.
5. Now remove the bolts that are on the bottom of the car. The bumper molding is formed around a metal bracket just in front of the tires, it will be necessary to pull the bumper out and forward to remove it.
6. Locate the horn and unbolt it from the bumper, the horns will need to be flipped to the top side of the bracket so the baseplate can be attached.
7. Now locate the bolt on the side of the frame, approximately 8 inches back from aluminum bumper. There is a similar bolt on the passenger side. The five inch brace on the baseplate will utilize these two holes use the 12mm bolts (Item 5) along with the flat, lock washers and nuts (Items 10, 9 and E). Remove the bolts and place the baseplate (Item 1) in position. Bolt it to the frame, push the baseplate up tight so that the bent braces fits against the frame and the front plates holes are positioned on the aluminum frame. Tighten the side bolts. **NOTE: You will need to remove the plastic tree rivets that hold the front of the plastic which is on both sides of the radiator. These will need to be notched to fit over the square tube of the baseplate.**
8. There are four holes that still need to be drilled, two for the front plate and two for the back bent braces. Use the holes of the baseplate as guides to drill these holes. Use a 13/32" drill bit for the front holes and a 17/32" drill bit for the back holes. Use the 1/2" bolts, lockwashers, and wire nuts for the back holes and use the 3/8" bolts, lockwashers, nuts and the flatwashers as spacers (Items 6, 12, 8 and 11) for the two front holes. **NOTE: Use Loctite Blue on each bolt to ensure they do not loosen while being used.**
9. Replace the plastic that was in front of the radiator, it will need to be notched so that it will fit around the baseplate's main tube.
10. Replace the bumper, it will be necessary to trim the plastic so the attachment tabs of the baseplate will fit through the upper grill of the bumper molding.
11. Install the tow bar and safety cables according to the instructions included in their packages. Do not substitute other devices if the tow bar pin and clip are lost.
12. **DEALER OR INSTALLER: BE CERTAIN THE USER RECEIVES THE INSTRUCTION SHEET.**

# Automatic