



Baseplate Installation Instructions

BX4102

2002-09 HUMMER H²

Installation Instructions

Serial Number

Please read BOTH these Installation Instructions and the General Towing Instructions before attempting to install or operate this equipment.

- Blue Ox® towing products and accessories are intended to be installed by Blue Ox® Dealers who are familiar with our products and have the equipment and knowledge to do “fit work”. When necessary, Blue Ox® Dealers can be found at www.blueox.com or by contacting our Customer Care Department at (402) 385-3051.
- Many Blue Ox® Baseplates are designed to use existing holes and hardware to mount the baseplate to the towed vehicle. Even though bolts are there, do not assume they are adequate for baseplate mounting. Always use hardware supplied in the hardware kit or existing hardware specified in the Baseplate Installation Instructions.

Attachment Tab Height: 22 1/2”

Attachment Tab Width: 32 1/4”

Bolt Torque Specifications
Torque in Foot-Pounds for Metric Bolts

Bolt Size	Grade 8.8	Grade 10.9
6MM	6	8
8MM	16	22
10MM	31	40
12MM	54	70
14MM	89	117

Confirm the towability and pre-towing procedures for your vehicle with the owner’s manual or contact the vehicle’s manufacturer for specific towing procedures.

Bolt Torque Specifications
Torque in Foot-Pounds for Inch Bolts

Bolt Size	Grade 5	Grade 8
1/4”	10	14
5/16”	19	29
3/8”	33	47
7/16”	54	78
1/2”	78	119
5/8”	154	230



If the front of your vehicle looks different than this, call us at (402) 385-3051.

! WARNING

Failure to read and follow these instructions could result in separation of the towed vehicle from the tow bar, causing property damage, loss of towed vehicle, personal injury or death.

BX4102

2002-09 HUMMER H²

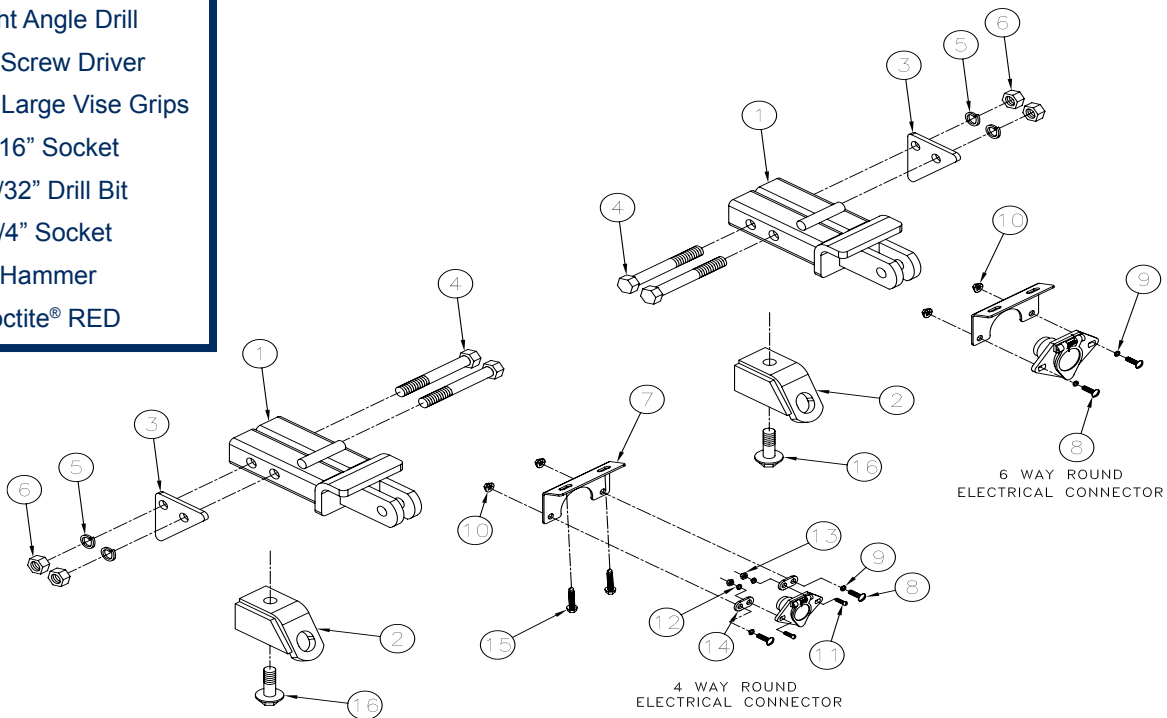
Installation Instructions

Parts List

Ref. No.	Qty.	Part #	Description
1	2	61-6034	Weldment, Baseplate, BX4102
2	2	61-6218	Weldment, Convenience Link, BX4102
3	2	101-6897	Backing Plate, BX4102
4	4	201-0147	1/2-13 x 4 1/2" Hex Bolt, Grade 5, ZP
5	4	203-0012	1/2" Lock Washer, ZP
6	4	202-0005	1/2-13 Hex Nut, ZP
7	1	101-6898	Electrical Bracket, 70 Deg. BD
8	2	201-0111	1/4-20 x 3/4" Slot Truss Head Screw
9	2	203-0008	1/4" Lock Washer, ZP
10	2	202-0069	1/4-20 Hex Flange Whiz Lock Nut, ZP
11	2	201-0192	#10-32 x 1/2" Slot, Rd. Hd. Screw
12	2	203-0054	#10 Lock Washer, ZP
13	2	202-0047	#10-32 Hex Nut
14	2	101-5822	Adapter, 4 Way Connector, ZP
15	2	201-0654	#10-16 x 1" Self Drilling Screw, ZP
16	2		Existing Metric Bolt

Tools Required

- 18MM Socket
- Right Angle Drill
- Flat Screw Driver
- Small & Large Vise Grips
- 7/16" Socket
- 17/32" Drill Bit
- 3/4" Socket
- Hammer
- Loctite® RED



Important:

Use only genuine factory replacement parts on your baseplate. Do **NOT** substitute homemade or non-typical parts. If a bolt is lost or in need of replacement, for your safety and the preservation of your baseplate, be sure to use a replacement bolt of the same grade (In most cases it will be Grade 5, please reference the parts list above). Replacement parts may be ordered through your nearest Blue Ox® Dealer or Distributor. Failing to follow and/or altering these installation instructions in either installation or required equipment will void the manufacturer's warranty. Towing behind a non-motorized vehicle will void the warranty.

BX4102
2002-09 HUMMER H²
Installation Instructions

Vehicle Weight:

The weight of this vehicle is near the Class III, 5,000 lbs. rating limitations. Some models, depending on options, may well exceed this 5,000 lb. rating. Be sure to confirm the weight of your individual vehicle before towing.

Tow Bar Adapters are NOT to be used with vehicle's weighing over 5,000 lbs.

Installation Notes: The metal bumper and tow hooks are removed for installation. The tow hooks are not reinstalled. Drilling is required.

The dimensional variations between otherwise identical vehicles can be considerable. While the baseplate was designed for easy installation, it may be necessary to tailor the baseplate slightly to compensate for auto manufacturer's tolerances. These minor adjustments may include filing a hole slightly, bending electrical rods or bending end plates.

The BX8869 Bulb and Socket Wiring Kit is recommended for this vehicle.



Installation Instructions:



1. Pull the center grille insert forward to release the four clips, one on each side and two in the middle. Set insert aside to be reinstalled later. The passenger's side is shown in the photo above.



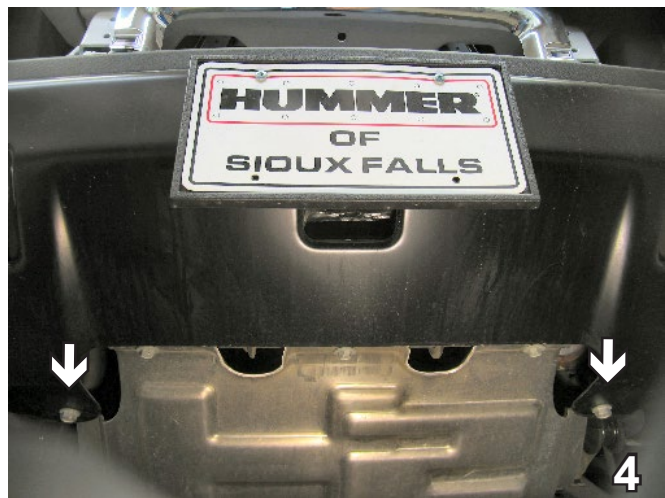
2. Remove the two rubber inserts from the top of the bumper. Set the rubber inserts aside to be reinstalled later.

Handling of some cosmetic parts when installing this product may require the use of protective covers, rags, specialty tools, etc. to prevent damage.

BX4102
2002-09 HUMMER H²
Installation Instructions



3. Using the 18MM socket, remove one metric bolt from the top of the bumper. Do this to both sides of the vehicle. Set bolts aside to be reinstalled later.



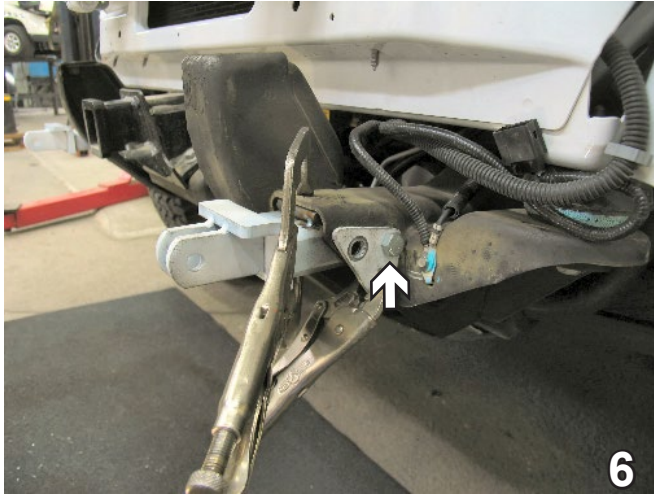
4. Just below the bumper, remove two metric bolts with the 18MM socket. Pull the metal bumper forward and disconnect the fog lights. Set bolts and metal bumper aside to be reinstalled later.



5. Using the 18MM socket, remove three metric bolts from the tow hook, two on the inside (see photo 5-a) and one on the outside (see photo 5-b). Pull tow hook forward and set aside. Do this to both sides of the vehicle. The tow hooks will not be reinstalled. Please return them to the customer.

When using power drills be aware of the dangers of torque and drill bit length.

BX4102
2002-09 HUMMER H²
Installation Instructions



6. Insert the baseplate weldment into the tow hook opening and align the backing plate with the outside tow hook hole, 1/4" forward of the frame rail, clamp in place and install the 4 1/2" hex bolt, 1/2" lock washer and 1/2-13 hex nut. Do this to both sides of the vehicle.



7. Using the baseplate weldment as a template, drill through the forward existing hole on the inside of the frame rail with the right angle drill and the 17/32" drill bit. Do this to both sides of the vehicle. If a right angle drill is not available, it may be necessary to remove the winch bracket to allow room for drilling.



8. Reinstall the metal bumper fascia using upper existing bolts but do not tighten completely. Install the convenience link weldment to the lower existing bolt, tighten all bolts completely and reinstall the rubber inserts, fog lights and grill insert.



9. Using the 1" self tapping screw, install the electrical bracket just below the license plate bracket while ensuring enough clearance for the bracket cover to open.

BE SURE TO USE LOCTITE® RED ON ALL BOLTS BEFORE TIGHTENING. TIGHTEN ALL BOLTS ACCORDING TO THE TORQUE CHART ON THE FRONT PAGE OF THESE INSTRUCTIONS OR ON PAGE 3 OF THE BASEPLATE TOWING GENERAL INSTRUCTIONS.

BX4102
2002-09 HUMMER H²
Installation Instructions

Be sure that **ALL** electrical connections are plugged in properly and functioning **BEFORE** Installing the fascia.

Install the tow bar and safety cables according to the instructions included in their packages.

Do not substitute other devices if the tow bar pin and clip are lost.

DEALER OR INSTALLER: BE CERTAIN THE USER RECEIVES THE INSTRUCTION SHEETS.

DEALER or INSTALLER:
Be certain the user receives **ALL** technical documentation for their products.



This vehicle is equipped with standard tabs.

If the baseplate is in an accident, it must be replaced. DO NOT use it again! An accident can cause unseen damage and using it again could result in more damage or serious injury. DO NOT use the baseplate if it is damaged or missing parts.

CUSTOMER SERVICE COMMITMENT

Blue Ox is committed to providing you with exceptional customer care throughout your lifetime with our products. Our team is here to assist you with any questions you may have regarding the performance of your product. Simply call 1-402-385-3051 and you can speak with our customer care team.

Additionally, please visit our website to see which rallies our Destination America team will be attending. For a nominal fee, our service technician will service your towing system to ensure it's in proper working condition. Also as a commitment to our customers, should you visit our factory you can stay at our full service Blue Ox campground at no charge along with enjoying a factory tour.

Again thank you for being our customer and for the confidence you have shown in the performance of our products. It is because of customers like you we enjoy the success we have today.



© 2006, 07, 09, 10 Blue Ox
One Mill Road, Industrial Park
Pender, Nebraska 68047
Phone: (402) 385-3051
Fax: (402) 385-3360
www.blueox.com

General Information

1. Ensure that your product(s) are registered online at www.blueox.com. It is crucial to register your product(s) so that you may be alerted of product offerings, updates, upgrades, maintenance and safety bulletins, and/or recalls.
2. **It is the owner's responsibility to inspect all towing equipment for cracked welds, missing or worn parts and loose bolts before each towing trip.** Be sure to use Loctite® Red on all bolts and tighten to the recommended specifications.
3. **It is the owner's responsibility to hook up all towing equipment per manufacturer's instructions/recommendations.**
4. Remove the attachment tabs when not in use (if applicable).

Notice To Baseplate Installer

1. It is YOUR responsibility to watch for:

- Oil cooler and air conditioner lines
- Electrical wires and hoses
- Missing parts or attaching points on the frame

** If the baseplate is improperly installed and is against a wire or hose, it could cause fluid leaks or electrical shorts some time after the actual baseplate installation.

Permanent Baseplate Safety Cable Installation

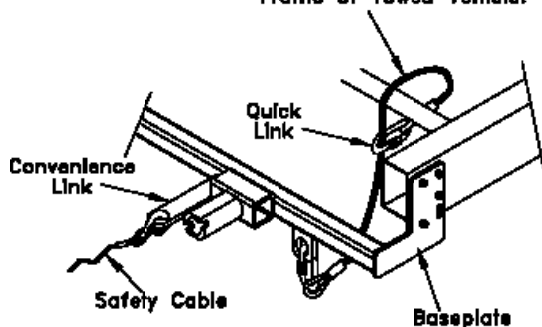
Permanent baseplate safety cables are strongly recommended when towing a vehicle with a tow bar. The principle function of the permanent baseplate safety cables is to prevent the towed vehicle from breaking loose in the event the connection between the frame of the towed vehicle and the baseplate fails or becomes disconnected. The cables must be connected from the baseplate to the frame rail or cross member of the vehicle's frame. The illustrations below show the possible arrangements recommended by Blue Ox®. Each permanent baseplate safety cable must have an adequate weight rating for the towing system. The weight rating of the two (2) cables together will not qualify.

Do not mount the permanent baseplate safety cables against wires, hoses or brake lines.

These permanent baseplate safety cables should remain installed as long as the baseplate is installed on the vehicle. Permanent baseplate safety cables are to be used in conjunction with, and NOT a replacement for legally required safety cables attaching the towed vehicle to the towing vehicle.

OPTION #1

Permanent Baseplate Safety Cables to Cross Member or Frame of Towed Vehicle.



OPTION #2

Permanent Baseplate Safety Cables to Cross Member or Frame of Towed Vehicle.

