



Strong As An Ox™

BX3821 Installation Instructions
2001 1/2 - 2002 VW Passat 1.8 L

Serial No.

The front fascia and metal bumper are removed for baseplate installation. There is trimming to air dam and lower grill opening (option to leave lower grill section off if trimming is undesirable). The attachment tabs are 20 inches center to center and a height of 13 1/4 inches.



1. Remove the hood release handle by lifting retainer clip pull forked end apart, pull forward, and set aside.



2. Using the T-30 Torx remove two bolts on the top side of grill. In the top center of the grill is a clip, pull clip forward and up to release.



3. There are four more clips to release along the bottom edge of grill to gain access behind and under the grill. (See photo)



4. Remove four torx screws along top side of grill opening with the T-30 Torx.



5. Just forward of front tires are four torx screws to remove with the T-25 Torx, both sides.



6. Remove three phillips head screws on the under side of fascia. Pull fascia forward and set aside.



Strong As An Ox™



7. Using the T-30 Torx, remove the five torx bolts from fascia support.



9. There are three torx bolts to remove from bumper mounts with the T-45 Torx, each side.



8. Remove the two metric bolts from the metal bumper with the 18MM socket and wrench and set metal bumper aside.



10. Hold baseplate into place, while allowing air dam to fold out of the way, and hand tighten items 2, 3, and 4 on driver's side, then passenger's side. Tighten all bolts. Reference drawing on last page for correct locations of parts (note flat washers on passenger's side). **Be sure and use loctite on all bolts before tightening.**

11. Before replacing the fascia, the lower grill will need to be removed or trimmed. There are push clips on the back side of lower grill. If you elect to trim lower grill opening, hold fascia in place and trim.

12. Replace metal bumper, bumper support, fascia, grill and hood latch. Be sure all electrical connections are secured and all bolts are tightened.

13. The dimensional variations between otherwise identical cars can be considerable. While the location and size of the holes in the baseplate were designed to allow for easy installation, it may be necessary to file a hole slightly to allow a bolt to clear.

14. Install the tow bar and safety cables according to the instructions included in their packages.

15. Do **not** substitute other devices if the tow bar pin and clip are lost.

16. **DEALER OR INSTALLER: BE CERTAIN THE USER RECEIVES THE INSTRUCTION SHEET.**



Tools Required

13MM Wrench
13MM Socket
T-30 Torx

18MM Wrench
18MM Socket
T-25 Torx

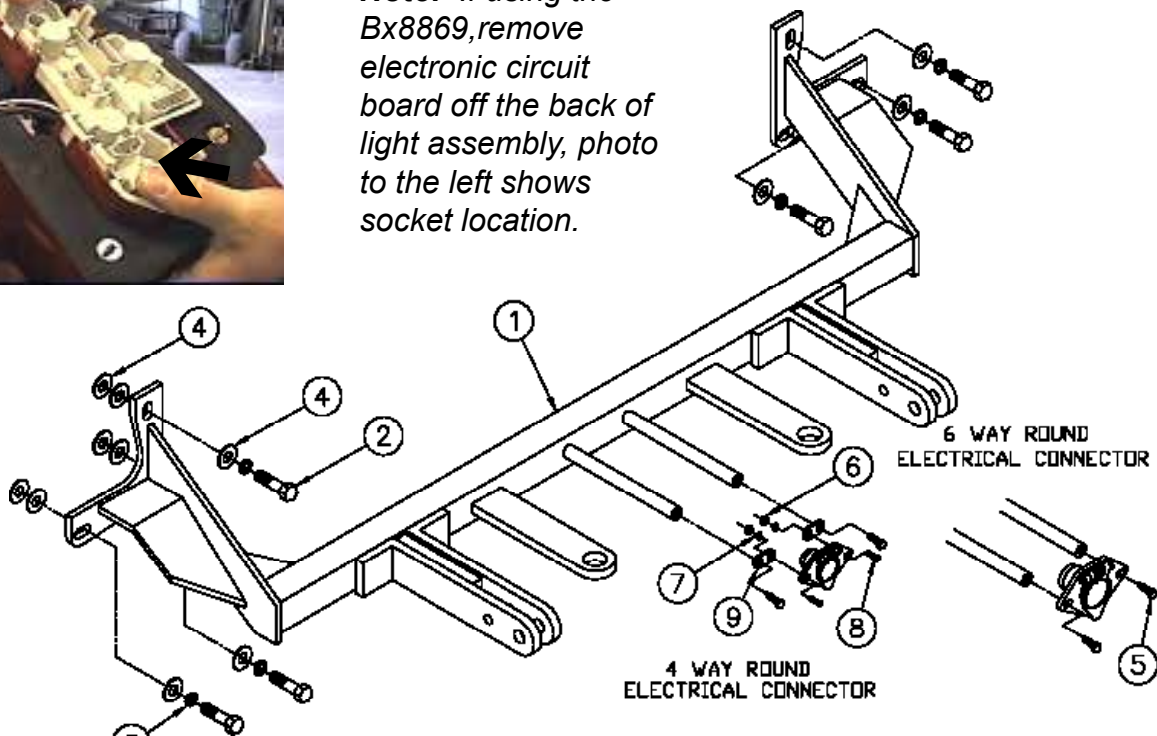
Loctite Blue
T-45 Torx
Phillips Screw Driver

Parts List

Ref. No.	Qty.	Part No.	Description
1	1	61-5634.....	Weldment, Base Plate, BX3821
2	6	201-0419.....	8MM-1.25 x 30MM, Hex Bolt, Grd. 8.8, ZP
3	6	203-0102.....	8MM Lock Washer, ZP
4	12	203-0107.....	8MM Flat Washer, ZP
5	2	201-0979.....	#12-14 x 1" Self Drilling Screw, ZP
6	2	202-0047.....	#10-32 Hex Nut
7	2	203-0054.....	#10 Lock Washer
8	2	201-0192.....	#10-32 x 1/2 Slot, Rd. Hd. Screw
9	2	101-5822.....	Adapter, 4 Way Connector
	2	226-0046.....	Baseplate Safety Cable, 36" CL III (Not Shown)
	4	229-0359.....	Quicklink, 3/8, ZP (Not Shown)



Note: If using the Bx8869, remove electronic circuit board off the back of light assembly, photo to the left shows socket location.



IMPORTANT: Use only genuine factory replacement parts on your Base Plate. Do not substitute homemade or nontypical parts. If a bolt is lost or in need of replacement, for your safety and the preservation of your Base Plate, be sure to use a replacement bolt of the same grade (Usually Grade 5, refer to parts list). Repair parts may be ordered through your nearest **Blue Ox** dealer or distributor.





Strong As An Ox™

Supplemental Installation Instructions
2001 1/2 - 2002 VW Passat 1.8 L
BX8869 Location

Note: *If using the Bx8869, remove electronic circuit board off the back of light assembly, photo to the left shows socket location.*



General Information

1. Ensure that your product(s) are registered online at www.blueox.com. It is crucial to register your product(s) so that you may be alerted of product offerings, updates, upgrades, maintenance and safety bulletins, and/or recalls.
2. **It is the owner's responsibility to inspect all towing equipment for cracked welds, missing or worn parts and loose bolts before each towing trip.** Be sure to use Loctite® Red on all bolts and tighten to the recommended specifications.
3. **It is the owner's responsibility to hook up all towing equipment per manufacturer's instructions/recommendations.**
4. Remove the attachment tabs when not in use (if applicable).

Notice To Baseplate Installer

1. It is YOUR responsibility to watch for:

- Oil cooler and air conditioner lines
- Electrical wires and hoses
- Missing parts or attaching points on the frame

** If the baseplate is improperly installed and is against a wire or hose, it could cause fluid leaks or electrical shorts some time after the actual baseplate installation.

Permanent Baseplate Safety Cable Installation

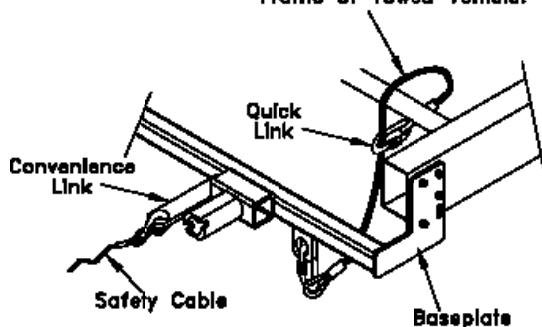
Permanent baseplate safety cables are strongly recommended when towing a vehicle with a tow bar. The principle function of the permanent baseplate safety cables is to prevent the towed vehicle from breaking loose in the event the connection between the frame of the towed vehicle and the baseplate fails or becomes disconnected. The cables must be connected from the baseplate to the frame rail or cross member of the vehicle's frame. The illustrations below show the possible arrangements recommended by Blue Ox®. Each permanent baseplate safety cable must have an adequate weight rating for the towing system. The weight rating of the two (2) cables together will not qualify.

Do not mount the permanent baseplate safety cables against wires, hoses or brake lines.

These permanent baseplate safety cables should remain installed as long as the baseplate is installed on the vehicle. Permanent baseplate safety cables are to be used in conjunction with, and NOT a replacement for legally required safety cables attaching the towed vehicle to the towing vehicle.

OPTION #1

Permanent Baseplate Safety Cables to Cross Member or Frame of Towed Vehicle.



OPTION #2

Permanent Baseplate Safety Cables to Cross Member or Frame of Towed Vehicle.

