



BLUE OX® Installation Instructions TC5506 Bracket Kit

Serial No.

The TC35270 steering control unit is recommended for use with this bracket kit.

1. Set front wheels of vehicle in straight ahead position.
2. Attach Items 2 and 3 to the front most generator support beam using Items 7, 9 and 13, as shown in drawing on page 2.
3. Install Item 4 to the drag link that runs from the power steering box to the idler arm, using items 5 and 8, as shown in drawing on page 2.
4. Install Item 14, see drawing on page 2.
5. Install solenoid end of TruCenter unit (Item 1) to Item 2 with Items 15, 16 and 17, see drawing on page 2.
6. Install small end of Item 1 to Item 4 using 6, 10, 11 and 12, according to drawing on page 2.
7. Tighten Items 15, 16 and 17 on Anchor Bracket (Item 2) to 180-200 foot pounds of torque.
8. Tighten Items 5 and 8 on the Tie Rod Bracket (Item 4) to 25-35 foot pounds of torque.
9. Tighten Items 6, 8, 11 and 12 on the Tie Rod Bracket (Item 4) to 180-200 foot pounds of torque.

Check to be sure installed unit clears all other parts of vehicle by turning steering wheel to both extreme right and left positions. If unit scrapes or binds at any point, make necessary corrections by rotating unit on tie rod to obtain necessary clearance.

10. Install TruCenter Steering Control wiring according to instructions included in its package.

11. DEALER OR INSTALLER: BE CERTAIN USER RECEIVES INSTRUCTION SHEET.

Insure that you use the proper TruCenter steering control unit for your application. Using too strong or too weak of a steering control may result in improper or undesirable handling.

Product Safety Policy Statement

It is, and shall continue to be, a primary objective of Blue Ox Towing Products to provide customers with safe and reliable products. Blue Ox will, and has, established safety procedures in product design, manufacture, promotion and sales; and will coordinate efforts to promote customer safety to the greatest extent possible. Each department has primary responsibility for the promotion of safety under the guidelines of the Product Safety Committee.

© 2003 Blue Ox
One Mill Road, Industrial Park
Pender, Nebraska 68047
Phone 402-385-3051
Toll Free 888-425-5282
Fax 402-385-3360
www.blueox.com

Tools Required

9/16" Socket

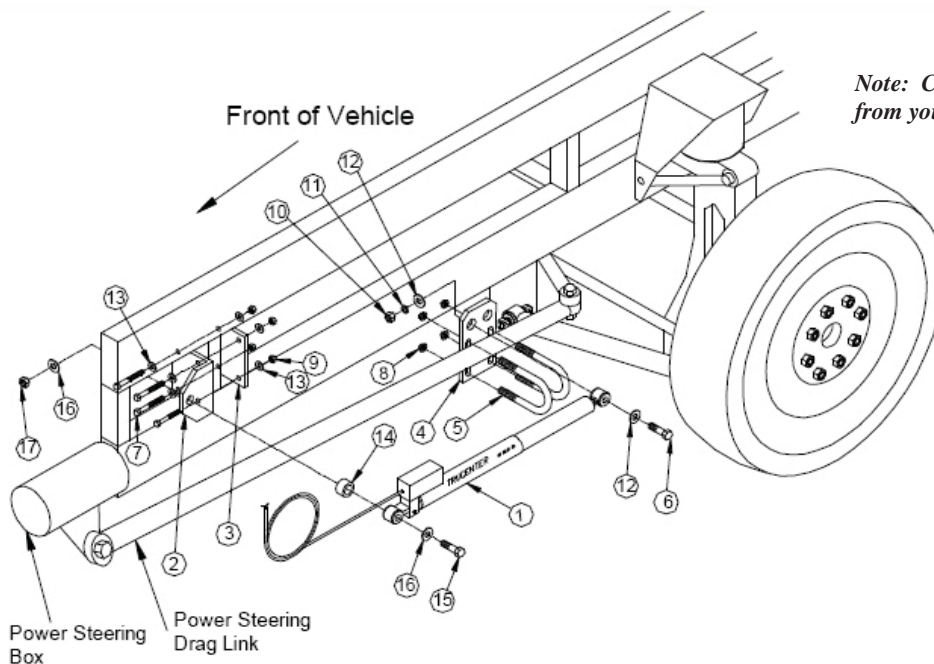
1 1/8" Socket

1 1/8" Wrench

Parts List

Ref. No.	Qty.	Part No.	Description
1*	1	TC35270	TruCenter, Steering Control
2	1	101-6425	Plate, Anchor Bracket
3	1	101-6426	Plate, Anchor Bracket
4	1	102-6343	Bracket, Tie Rod
5	2	201-0717	U-Bolt, 3/8-16 x 1.625, Grd 5, ZP
6*	2	201-0780	Bolt, 3/4-10 X 3 1/2, 1.59In Flange
7	4	201-0564	3/8-16 Hex Head Bolt, Grd 5, ZP
8	4	202-0174	3/8-16, Cent. Dimp. Flng, Nut, ZP
9	4	202-0050	3/8-16 Hex Lock Nut, Center Dimple, ZP
10*	2	202-0180	Nut, 3/4-10, 1.59 Flange, Grd. 8, ZP
11*	2	203-0014	3/4 Lock Washer, ZP
12*	8	203-0007	3/4 Flat Washer, ZP
13	8	203-0003	3/8 Flat Washer, ZP
14	1	107-2553	Tube, Spacer
15	1	201-0615	3/4-16 x 4 1/2 Hex Bolt, Grd 5, ZP
16	1	203-0007	3/4 Flat Washer, ZP
17	1	202-0168	3/4-16 Stover Lock Nut, ZP

*items are purchased separately in the TC35270 kit and may be replaced with parts in the TC5506 kit.



Note: Chassis shown may vary slightly from your individual installation.

IMPORTANT: Use only genuine factory replacement parts on your bracket kit. Do not substitute homemade or nontypical parts. If a bolt is lost or in need of replacement, for your safety and the preservation of your bracket kit, be sure to use a replacement bolt of the same grade. Repair parts may be ordered through your nearest **Blue Ox** dealer or distributor.



© 2003 Blue Ox
 One Mill Road, Industrial Park
 Pender, Nebraska 68047
 Phone 402-385-3051
 Toll Free 888-425-5282
 Fax 402-385-3360
www.blueox.com