



**BLUE OX**

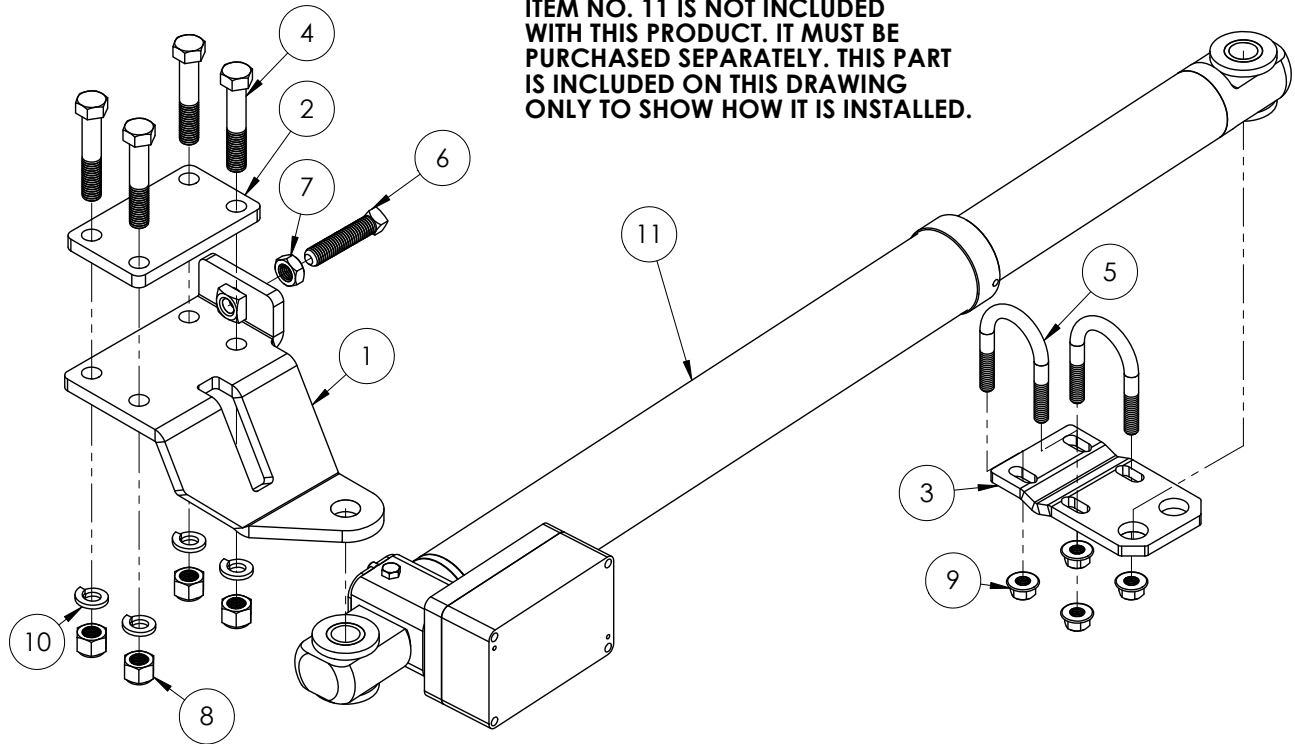
# TC5511

## 1998 Spartan Chassis w/Airbags & Caster Wedges TruCenter Bracket Kit Installation Instructions

Serial Number

**NOTE:**

ITEM NO. 11 IS NOT INCLUDED WITH THIS PRODUCT. IT MUST BE PURCHASED SEPARATELY. THIS PART IS INCLUDED ON THIS DRAWING ONLY TO SHOW HOW IT IS INSTALLED.

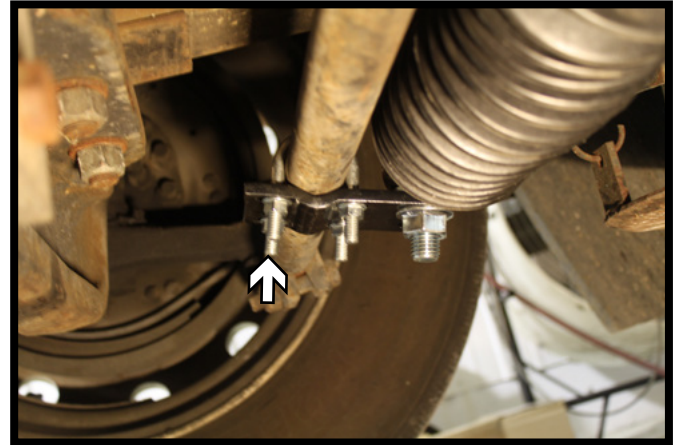
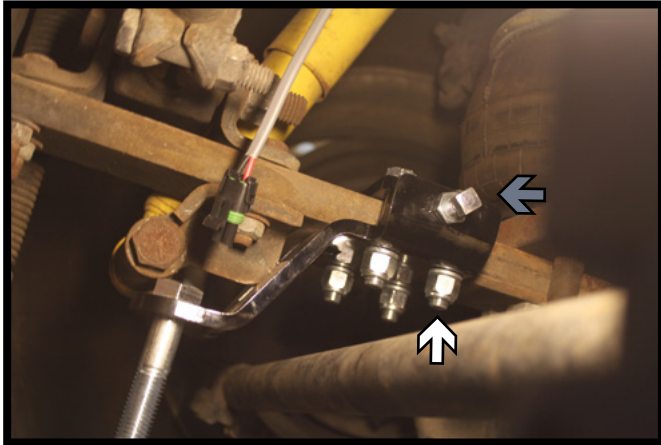


Item No.	Part No.	Description	Qty.
1.....	61-7122 .....	TC5511 Bracket.....	1
2.....	101-8075 .....	TC5511 Plate.....	1
3.....	102-6343 .....	Tie Rod Bracket, 206.....	1
4.....	201-0616 .....	1/2"-20 x 2-3/4" Hex Head Bolt, Grade 5.....	4
5.....	201-0717 .....	3/8"-16 U-Bolt x 1.625 Grade 5, ZP.....	2
6.....	201-0945 .....	1/2"-13 x 2-1/4" Square Head Set Screw, ZP.....	1
7.....	202-0143 .....	1/2"-13 Essna Jam Nut, ZP.....	1
8.....	202-0150 .....	1/2"-20 Hex Nylon Insert Lock Nut.....	4
9.....	202-0174 .....	3/8"-16 Flange Nut, ZP.....	4
10.....	203-0012.....	1/2" Lock Washer, ZP.....	4
11.....	62-3651(not provided).....	TC35270 TruCenter Steering Control.....	1

**IMPORTANT:** Use only genuine factory replacement parts on your bracket kit. Do not substitute homemade or nontypical parts. If a bolt is lost or in need of replacement, for your safety and the preservation of your bracket kit, be sure to use a replacement bolt of the same grade. Repair parts may be ordered through your nearest **Blue Ox** dealer or distributor.

TC5511  
1998 Spartan Chassis w/Airbags & Caster Wedges TruCenter Bracket Kit  
Installation Instructions

1. Set the front wheels of the vehicle in a straight position.



2. Install the bracket and plate onto the shock mount rail, using the 1/2"-20 x 2-3/4" bolts, 1/2" lock washers and 1/2"-20 lock nuts (white).

Install the 1/2"-13 x 2-1/4" bolt and 1/2"-13 jam nut into the side of the bracket (gray). DO NOT fully tighten until the TruCenter is in it's final position.

3. Install the tie rod bracket onto the tie rod using the 3/8"-16 u-bolts and 3/8"-16 flange nuts. DO NOT fully tighten.

Install the TruCenter onto the brackets using the supplied hardware from the TruCenter.

4. Be sure the TruCenter is parallel with the ground, then tighten down the u-bolts to 30-35 ft/lbs, while maintaining an even amount of threads extending past the nuts. Tighten down the bracket and plate bolts. Then tighten down the TruCenter bolts on both ends to 180-200 ft/lbs.

Note: Be sure the installed unit clears all other parts of vehicle by turning steering wheel to both extreme right and left positions. If unit scrapes or binds at any point, make necessary corrections by rotating unit on tie rod to obtain necessary clearance. It may also be necessary to dump the air from the air suspension to insure that the RV's trac bar and fuel tank do not come in contact with the TruCenter.

5. Install TruCenter Steering Control wiring according to instructions included in its package.
6. Dealer or installer be certain the user receives these instructions.

TC5511  
1998 Spartan Chassis w/Airbags & Caster Wedges TruCenter Bracket Kit  
Installation Instructions

Insure that you use the proper TruCenter steering control unit for your application. Using too strong or too weak of a steering control may result in improper or undesirable handling.

**Product Safety Policy Statement**

It is, and shall continue to be, a primary objective of Blue Ox Towing Products to provide customers with safe and reliable products. Blue Ox will, and has, established safety procedures in product design, manufacture, promotion and sales; and will coordinate efforts to promote customer safety to the greatest extent possible. Each department has primary responsibility for the promotion of safety under the guidelines of the Product Safety Committee.

If the TruCenter is in an accident, it must be replaced. DO NOT use it again! An accident can cause unseen damage and using it again could result in more damage or serious injury. DO NOT use the TruCenter if it is damaged or missing parts.

**CUSTOMER SERVICE COMMITMENT**

Blue Ox® is committed to providing you with exceptional customer care throughout your lifetime with our products. Our team is here to assist you with any questions you may have regarding the performance of your product. Simply call (402) 385-3051 and you can speak with our customer care team.

Additionally, please visit our website to see which rallies our Destination America team will be attending. For a nominal fee, our service technician will service your towing system to ensure it's in proper working condition. Also, as a commitment to our customers, should you visit our factory, you can stay at our full service Blue Ox® campground at no charge along with enjoying a factory tour.

Again, thank you for being our customer and for the confidence you have shown in the performance of our products. It is because of customers like you we enjoy the success we have today.