



## TC9805

# Workhorse Chassis TruCenter Bracket Installation Instructions

The TC35270 steering control is recommended for use with this bracket kit.

1. Set the front wheels of vehicle in straight position.
2. Remove the nuts from driver side front axle spring rear u-bolt.
3. Install the anchor bracket and reinstall the existing nuts. Tighten to manufacturer's specifications.
4. Loosely install the tie rod bracket onto the tie rod using the appropriate u-bolts for your application. DO NOT tighten until specified. The tie rod bracket may need to be rotated or flipped to insure the steering control remains parallel to the ground.
5. Install the solenoid end of TruCenter unit to the anchor bracket with the supplied hardware in the TruCenter unit. DO NOT tighten until specified.
6. Loosely install the other end of TruCenter unit to the bottom side of tie rod bracket with the supplied hardware in the TruCenter unit. DO NOT tighten until specified.
7. Insure the TruCenter is parallel with the ground, then tighten down the u-bolts to 30-35 ft/lbs, while maintaining an even amount of threads extending past the nuts. Tighten down the TruCenter bolts on both ends to 180-200 ft/lbs.

Note: Be sure the installed unit clears all other parts of vehicle by turning steering wheel to both extreme right and left positions. If unit scrapes or binds at any point, make necessary corrections by rotating unit on tie rod to obtain necessary clearance. It may also be necessary to dump the air from the air suspension to insure that the RV's trac bar and fuel tank do not come in contact with the TruCenter

8. Install TruCenter Steering Control wiring according to instructions included in its package.
9. Dealer or installer be certain the user receives these instructions.

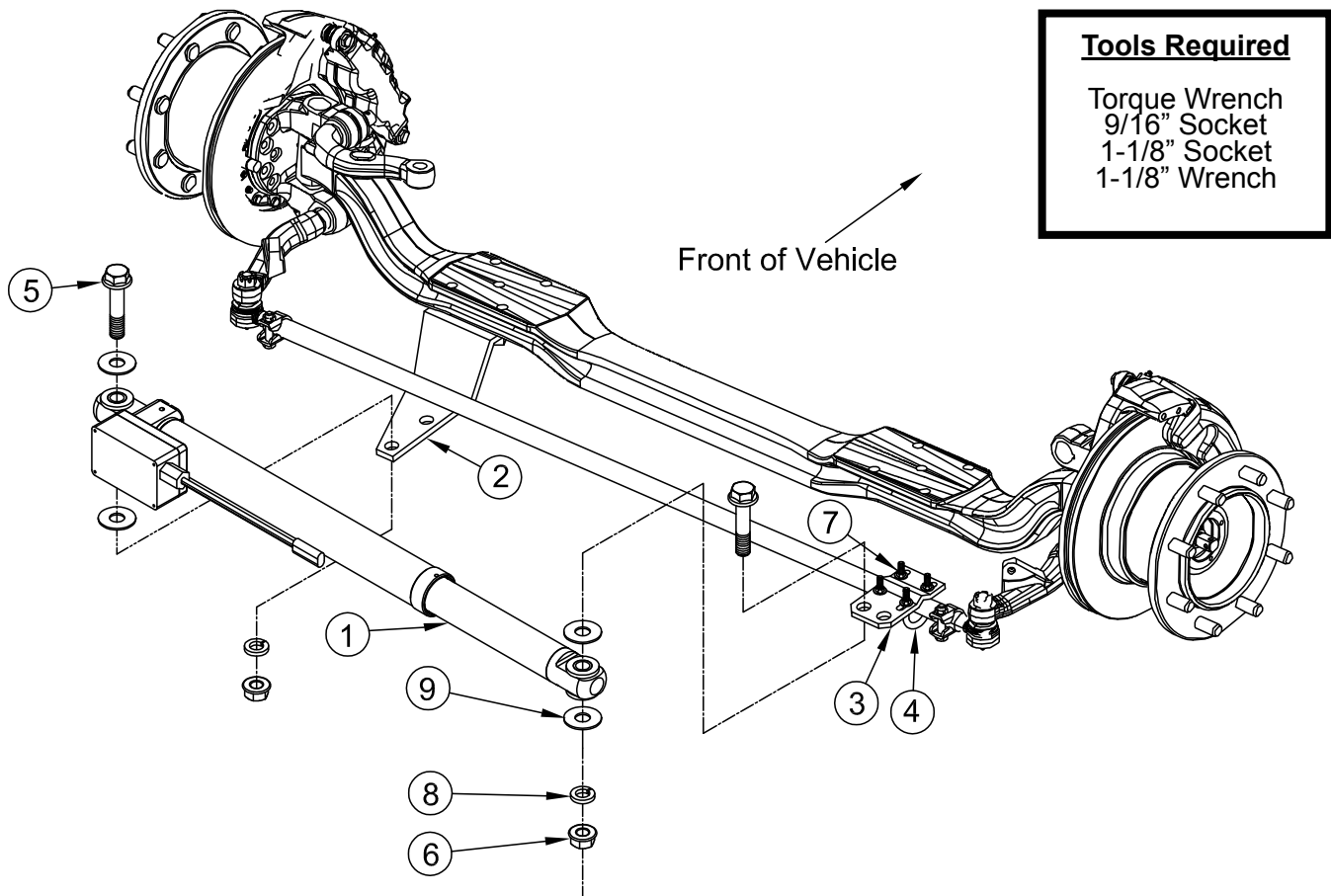
Insure that you use the proper TruCenter steering control unit for your application. Using too strong or too weak of a steering control may result in improper or undesirable handling.

### Product Safety Policy Statement

It is, and shall continue to be, a primary objective of Blue Ox Towing Products to provide customers with safe and reliable products. Blue Ox will, and has, established safety procedures in product design, manufacture, promotion and sales; and will coordinate efforts to promote customer safety to the greatest extent possible. Each department has primary responsibility for the promotion of safety under the guidelines of the Product Safety Committee.

If the TruCenter is in an accident, it must be replaced. DO NOT use it again! An accident can cause unseen damage and using it again could result in more damage or serious injury. DO NOT use the TruCenter if it is damaged or missing parts.

TC9805  
Workhorse Chassis TruCenter Bracket  
Installation Instructions



Tools Required	
Torque Wrench	
9/16" Socket	
1-1/8" Socket	
1-1/8" Wrench	

Item No.	Part No.	Description	Qty.
1*	TC35270	TruCenter Steering Control	1
2	101-8175	TruCenter Anchor Bracket, 3" Drop	1
3	102-6343	TruCenter Tie Rod Bracket	1
4	201-0714	3/8"-16 x 1-1/4" U-Bolt, Grade 5, ZP	2
	201-0715	3/8"-16 x 1-3/8" U-Bolt, Grade 5, ZP	2
	201-0716	3/8"-16 x 1-1/2" U-Bolt, Grade 5, ZP	2
	201-0717	3/8"-16 x 1-5/8" U-Bolt, Grade 5, ZP	2
	201-0718	3/8"-16 x 1-3/4" U-Bolt, Grade 5, ZP	2
5*	201-0780	3/4"-10 x 3-1/2" Hex Head Bolt, ZP	2
6*	202-0180	3/4"-10 Flange Hex Nut, ZP	2
7	202-0174	3/8"-16 Dimple Hex Nut, ZP	4
8*	203-0014	3/4" Lock Washer, ZP	2
9*	203-0007	3/4" Flat Washer, ZP	8

\*Items are purchased separately in the TC35270 steering control unit

**IMPORTANT:** Use only genuine factory replacement parts on your bracket kit. Do not substitute homemade or nontypical parts. If a bolt is lost or in need of replacement, for your safety and the preservation of your bracket kit, be sure to use a replacement bolt of the same grade. Repair parts may be ordered through your nearest **Blue Ox** dealer or distributor.

TC9805  
Workhorse Chassis TruCenter Bracket  
Installation Instructions

**CUSTOMER SERVICE COMMITMENT**

Blue Ox® is committed to providing you with exceptional customer care throughout your lifetime with our products. Our team is here to assist you with any questions you may have regarding the performance of your product. Simply call (402) 385-3051 and you can speak with our customer care team.

Additionally, please visit our website to see which rallies our Destination America team will be attending. For a nominal fee, our service technician will service your towing system to ensure it's in proper working condition. Also, as a commitment to our customers, should you visit our factory, you can stay at our full service Blue Ox® campground at no charge along with enjoying a factory tour.

Again, thank you for being our customer and for the confidence you have shown in the performance of our products. It is because of customers like you we enjoy the success we have today.

© 2013 Blue Ox  
One Mill Road, Industrial Park  
Pender, Nebraska 68047  
Phone: (402) 385-3051  
Fax: (402) 385-3360  
[www.blueox.com](http://www.blueox.com)