



Installation Instructions TC6010 Bracket Kit

Serial Number

The TC35270 steering control is recommended for use with this bracket kit.

1. Set front wheels of vehicle in straight ahead position.



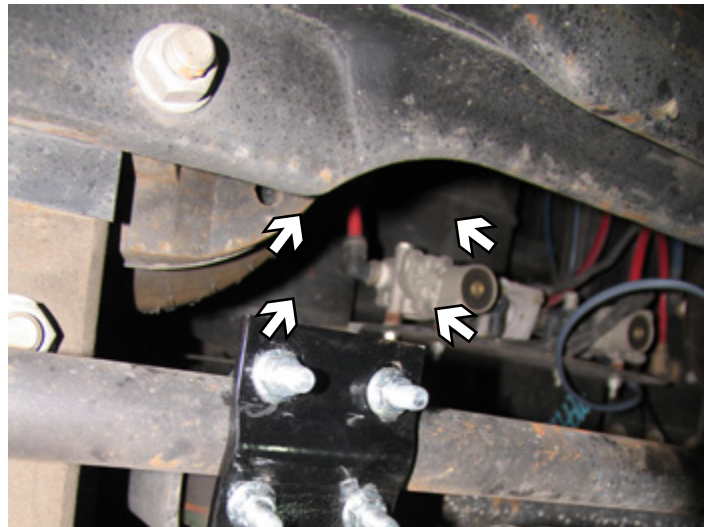
2. Using 1-1/8" socket, remove two (2) existing bolts and nuts from shock mount bar on the driver's side.



3. Install the anchor bracket on the shock mount bar on the driver's side using the existing bolts and nuts. Tighten to manufacturers specs.



4. Install solenoid end of TruCenter to back of anchor bracket with a 3/4"-10 x 5" hex bolt, 1-1/2" spacer, 3/4" flat washers on the top and the bottom and 3/4"-10, 1.59 flange nut, torque to 180 ft/lbs.



5. On the passenger's side, install the tie rod bracket using the appropriate U-Bolts for your application. **DO NOT TIGHTEN.** *The tie rod bracket may be rotated to insure steering control remains parallel to the ground.*

Installation Instructions

TC6010 Bracket Kit



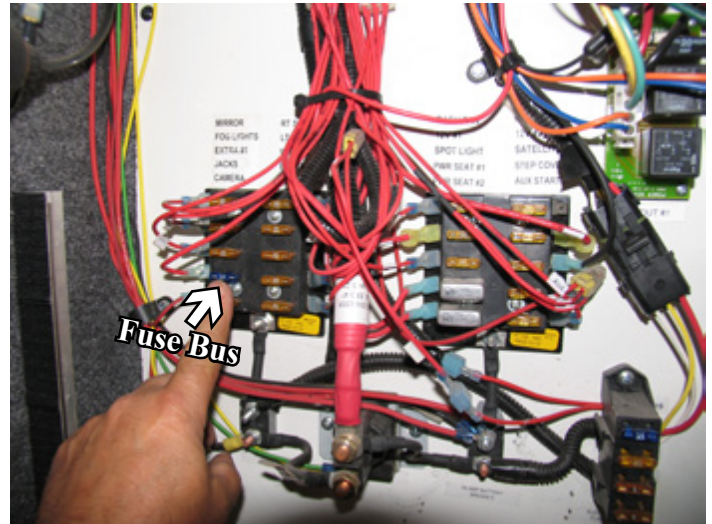
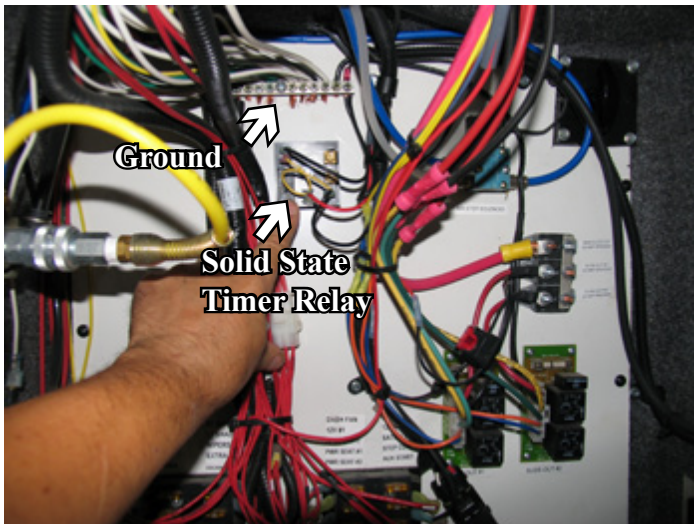
6. Install small end of TruCenter unit to top of tie rod bracket with Items 3/4"-10 x 3-1/2" bolt, 3/4" flat washers and 3/4"-10 1.59 flange nut, torque to 180-200 ft/lbs.

7. Tighten U-bolts on the Tie Rod Bracket to 30-35 ft/lbs of torque, while maintaining an even amount of threads extending past each nut.

Note: Check to be sure installed unit clears all other parts of vehicle by turning steering wheel to both extreme right and left positions. If unit scrapes or binds at any point, make necessary corrections by rotating unit on tie rod to obtain necessary clearance. It may also be necessary to dump the air from the air suspension to insure that the RV's trac bar and fuel tank to not come in contact with the TruCenter.

8. Install TruCenter Steering Control wiring according to instructions included in its package.

9. **DEALER OR INSTALLER: BE CERTAIN USER RECEIVES INSTRUCTION SHEET.**



Shown above Freightliner Chassis XC with Air Bags, 150 Gal. Fuel Tank

Insure that you use the proper TruCenter steering control unit for your application. Using too strong or too weak of a steering control may result in improper or undesirable handling.

Product Safety Policy Statement

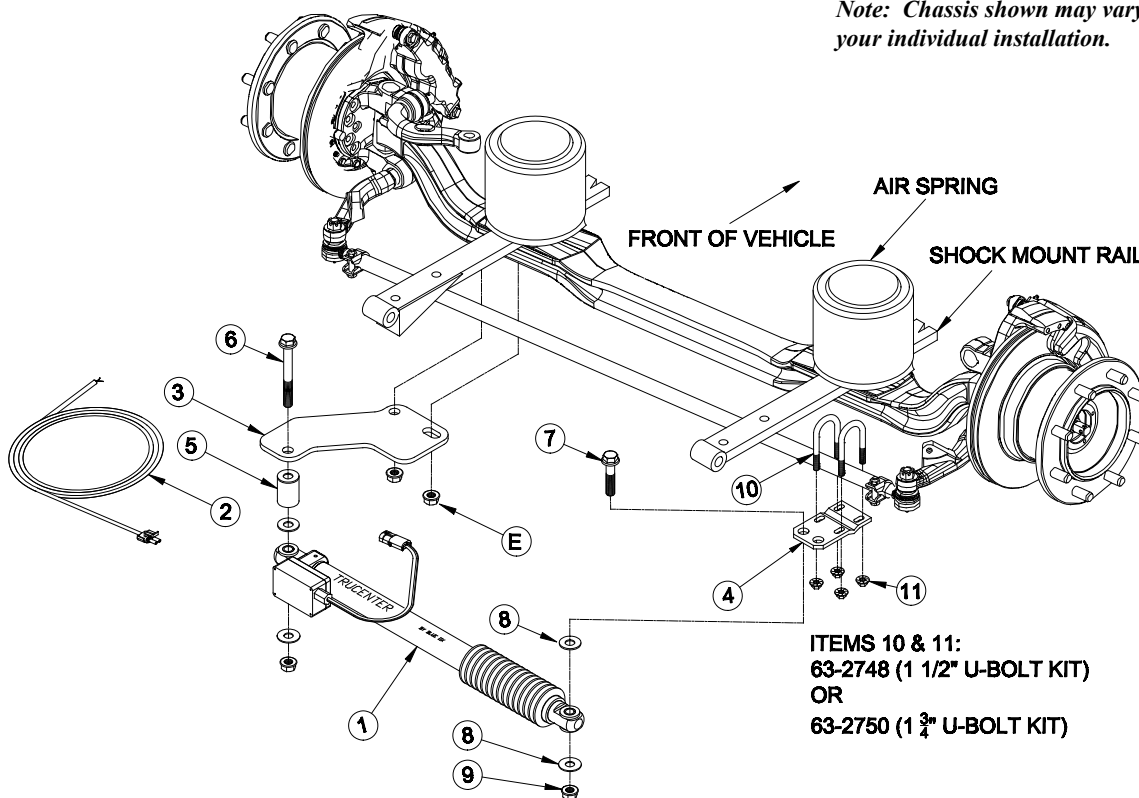
It is, and shall continue to be, a primary objective of Blue Ox Towing Products to provide customers with safe and reliable products. Blue Ox will, and has, established safety procedures in product design, manufacture, promotion and sales; and will coordinate efforts to promote customer safety to the greatest extent possible. Each department has primary responsibility for the promotion of safety under the guidelines of the Product Safety Committee.

If the TruCenter is in an accident, it must be replaced. DO NOT use it again! An accident can cause unseen damage and using it again could result in more damage or serious injury. DO NOT use the TruCenter if it is damaged or missing parts.

Installation Instructions

TC6010 Bracket Kit

Note: Chassis shown may vary slightly from your individual installation.



ITEMS 10 & 11:
63-2748 (1 1/2" U-BOLT KIT)
OR
63-2750 (1 3/4" U-BOLT KIT)

Parts List

Ref. No.	Qty.	Part No.	Description
1	1	TC35270	TruCenter Steering Control
2	1	62-3631	TruCenter Weather Tight Cord Assembly
3	1	101-7440	TC6010 Anchor Bracket Plate
4	1	102-6343	206 Tie Rod Bracket
5	1	107-2678	1-1/2" x 7/32" x 1-1/2" Spacer Tube
6	1	201-0347	3/4"-10 x 5" Hex Bolt, Grade 8
7	3*	201-0780	3/4"-10 X 3-1/2" 1.59In Flange Bolt
8	2	203-0007	3/4" Flat Washer, ZP
9	4*	202-0074	3/4"-10 1.59 Flange Nut
10-11	1	63-2748	1-1/2" U-Bolt Kit
or	1	63-2750	1-3/4" U-Bolt Kit

* 2 items are provided with the TruCenter

IMPORTANT: Use only genuine factory replacement parts on your bracket kit. Do not substitute homemade or nontypical parts. If a bolt is lost or in need of replacement, for your safety and the preservation of your bracket kit, be sure to use a replacement bolt of the same grade. Repair parts may be ordered through your nearest **Blue Ox** dealer or distributor.



© 2012 Blue Ox
One Mill Road, Industrial Park
Pender, Nebraska 68047
Phone: (402) 385-3051
Fax: (402) 385-3360
www.blueox.com