



Baseplate Installation Instructions

BX1304

2007-10 Mini Cooper Hardtop  
(No S)

Installation Instructions

Serial Number

Please read BOTH these Installation Instructions and the General Towing Instructions before attempting to install or operate this equipment.

1. Blue Ox® towing products and accessories are intended to be installed by Blue Ox® Dealers who are familiar with our products and have the equipment and knowledge to do "fit work." When necessary, Blue Ox® Dealers can be found at [www.blueox.com](http://www.blueox.com) or by contacting our 24/7 Customer Care Department at (888) 425-5382.

Attachment Tab Height: 13.5"  
Attachment Tab Width: 22"

2. Many Blue Ox® Baseplates are designed to use existing holes and hardware to mount the baseplate to the towed vehicle. Even though bolts are there, do not assume they are adequate for baseplate mounting. Always use hardware supplied in the hardware kit or existing hardware specified in the Baseplate Towing Installation Instructions.

**Bolt Torque Specifications**

Torque in Foot-Pounds per Metric Bolts

Bolt Size	Grade 8.8	Grade 10.9
6MM	6	8
8MM	16	22
10MM	31	40
12MM	54	70
14MM	89	117

Confirm the towability and pre-towing procedures for your vehicle with the owner's manual or contact the vehicle's manufacturer for specific towing procedures. You can also contact REMCO for additional information at 1(800)228-2481.

**Bolt Torque Specifications**

Torque in Foot-Pounds per Inch Bolts

Bolt Size	Grade 5	Grade 8
1/4"	10	14
5/16"	19	29
3/8"	33	47
7/16"	54	78
1/2"	78	119
5/8"	154	230



**! WARNING**

Failure to read and follow these instructions could result in separation of the towed vehicle from the tow bar, causing property damage, loss of towed vehicle, personal injury or death.

# BX1304

## 2007-10 Mini Cooper Hardtop (No S)

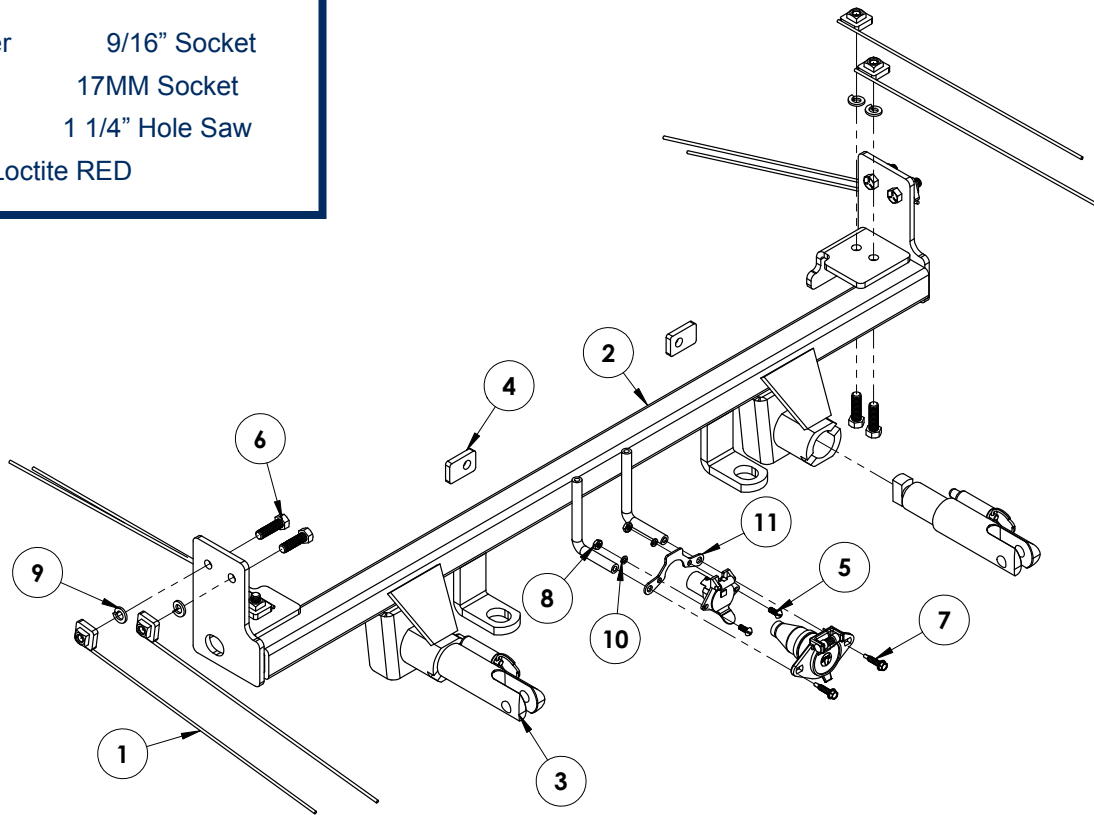
### Installation Instructions

## Parts List

Ref. No.	Qty.	Part #	Description
1	8	61-5208	Weldment, Nut Plate, 1/4 x 1 x 1, 3/8"
2	1	61-6393	Weldment, Baseplate, BX1304
3	2	62-3468	Attachment, Assembly, SF/SB, 1 Hole
4	2	102-6816	Backing Plate, BX1304
5	2	201-0192	#10-32 x 1/2" Slot, Round Head Screw
6	8	201-0368	3/8-16 x 1 1/4" Hex Head Bolt, Grd. 5, ZP
7	2	201-0979	#12-14 x 1" Self Drilling Screw, ZP
8	2	202-0047	#10-32 Hex Nut
9	10	203-0010	3/8" Lock Washer, ZP
10	2	203-0054	#10 Lock Washer
11	1	299-0685	4-Way Bracket
	4	203-0003	3/8" Flat Washer, ZP
	2	201-0419	8MM-1.25 x 50MM Hex Bolt, Grd. 8.8, ZP
	2	290-0437	Cap Plug, Black (not shown)
	4	229-0359	Quicklink, 3/8", ZP (not shown)
	2	226-0046	Baseplate Safety Cable, 36" Class III (not shown)

## Tools Required

Flat Screwdriver      9/16" Socket  
 10MM Socket          17MM Socket  
 13/32" Drill Bit      1 1/4" Hole Saw  
 Loctite RED



### Important:

Use only genuine factory replacement parts on your baseplate. Do **NOT** substitute homemade or non-typical parts. If a bolt is lost or in need of replacement, for your safety and the preservation of your baseplate, be sure to use a replacement bolt of the same grade (In most cases it will be Grade 5, please reference the parts list above). Replacement parts may be ordered through your nearest Blue Ox® Dealer or Distributor.

# BX1304

## 2007-10 Mini Cooper Hardtop (No S) Installation Instructions

### Vehicle Weight:

The weight of this vehicle is near the Class III, 5,000 lb. rating limitations. Some models, depending on options, may well exceed this 5,000 lb. rating. Be sure to confirm the weight of your individual vehicle before towing. As of 1999, the Aventa® II is now 10,000 lbs. and either the Aventa® II or the Aventa® LX tow bar must be used for these applications.

**Tow Bar Adapters are NOT to be used with vehicles weighing over 5,000 lbs.**

**Installation Notes:** The fascia metal bumper and air baffle are removed and reinstalled during installation of the baseplate. Drilling is required. Trimming of the fascia is required.

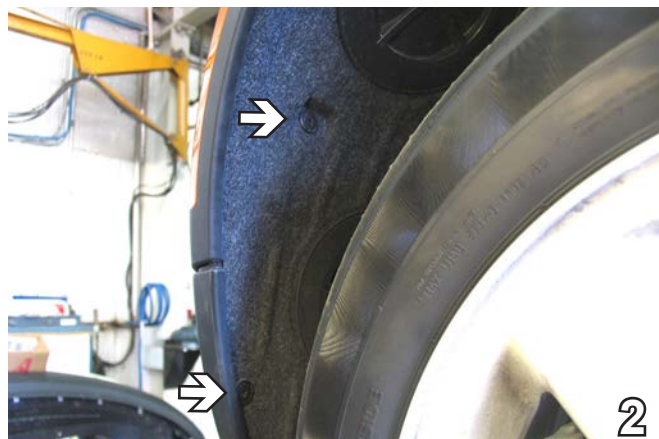
The dimensional variations between otherwise identical vehicles can be considerable. While the baseplate was designed for easy installation, it may be necessary to tailor the baseplate slightly to compensate for auto manufacturer's tolerances. These minor adjustments may include filing a hole slightly, bending electrical rods and/ or bending end plates.

The BX8848 Diode Wiring Kit is recommended for this vehicle.

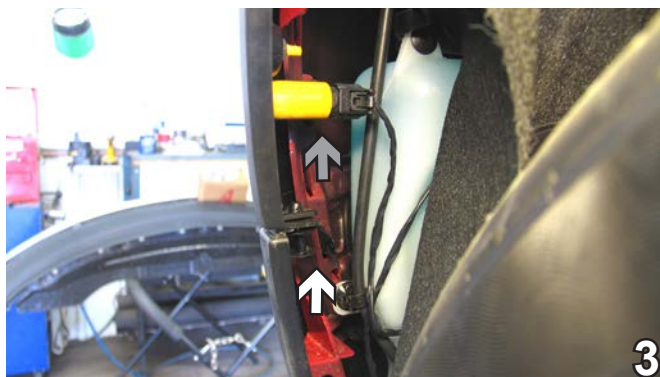
### Installation Instructions:



1. Using a flat screwdriver, remove four pushpins on top edge of grille. Set push pins aside to be reinstalled later.



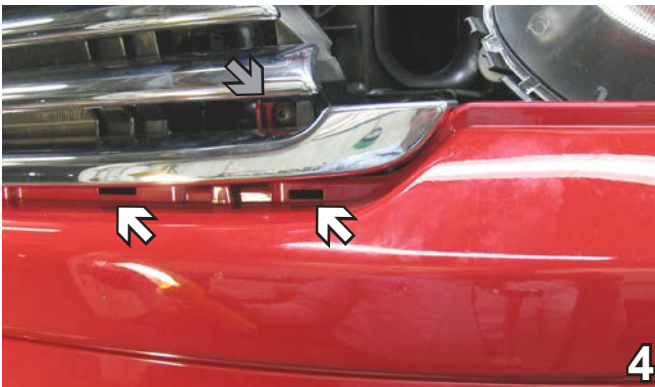
2. Forward the front tire, there are two pushpins that need to be removed. Do this to both sides. Use a flat screwdriver and set aside for later reinstallation.



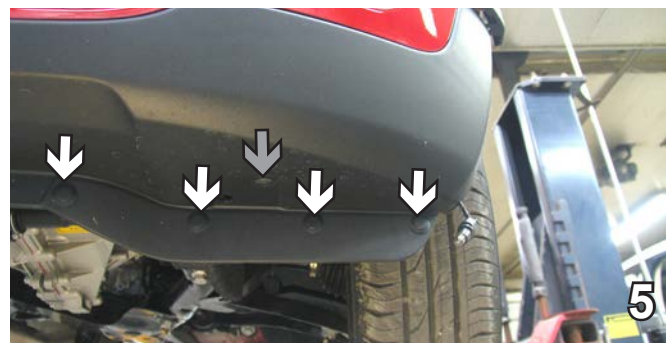
3. After removing the wheel well cover, remove one pushpin connecting the fascia using a flat screwdriver. Also remove the small yellow light (gray arrow). Do this to both sides. Set pushpins aside for later reinstallation.

# BX1304

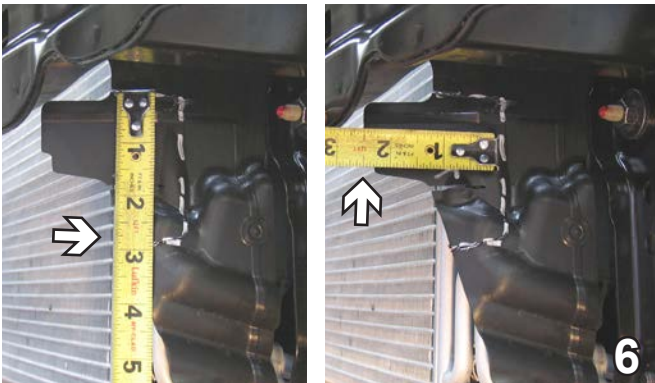
## 2007-10 Mini Cooper Hardtop (No S) Installation Instructions



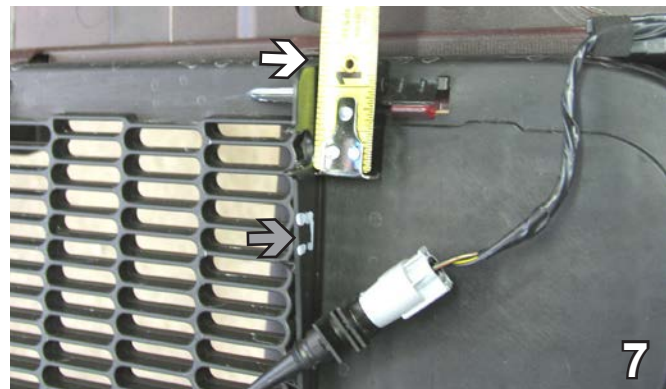
4. Remove the grille by starting from the side and releasing the clips. They will fit back in when reinstallation occurs. By the wheel well there is a bolt that needs to be removed with a 10MM socket. Also, after removing the grille, there are two bolts that need to be removed with a 10MM socket. (gray arrow) Do to both sides and set aside for later reinstallation.



5. Remove four pushpins from the edge of the bottom of the fascia on both sides. There is also a torques 25T bolt (gray arrow) to be removed from both sides using a torques wrench. There are three other pushpins in the center, remove them. Eyebolts need to be removed from the fascia to remove the fascia. Pull the fascia forward, disconnect side running and fog lights. Set aside for later reinstallation.

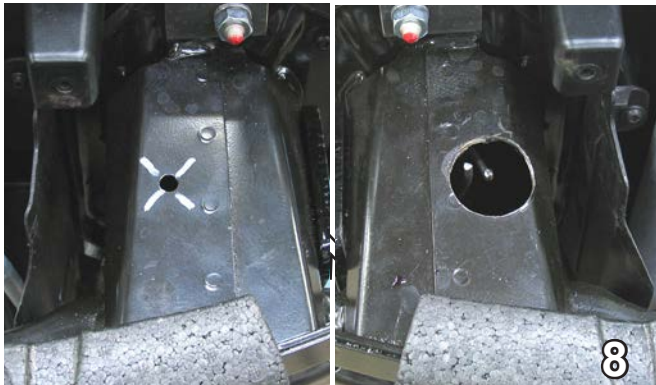


6. You will need to cut the air dams 3" down and 2.5" in to make room for the baseplate. Do this to both sides. These will not be reinstalled.



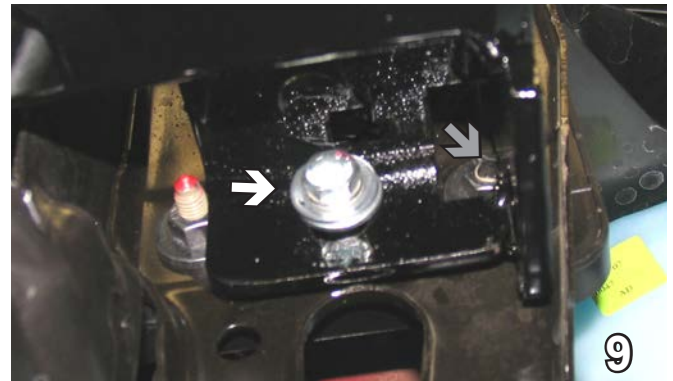
7. Located on both sides behind the grill, there is a temperature sensor that will need to be moved. Trim 1 1/8" from the top to remove the notch holding the sensor, cut and remove the webbing with it, and replace the sensor in another notch we will cut out a little further down (gray arrow).

BX1304  
2007-10 Mini Cooper Hardtop (No S)  
Installation Instructions

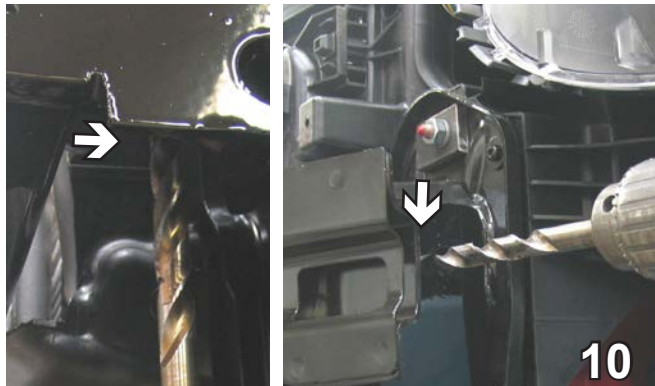


8. Using an existing hole on top of the metal bumper drill a hole using a 1 1/4" hole saw to cut opening for front end to install nut plates. Do this on both sides.

**Using a good quality paint, spray cut edges of frame to prevent rusting.**



9. Trim the threads off the outer bolt flush with the nut (gray). Do this on both sides of the vehicle.  
Hold the baseplate up in place and start the 8MM-1.25 x 50MM bolt with lock and two flat washers into the existing hole. Do this on both sides of the vehicle. Clamp the baseplate in place.



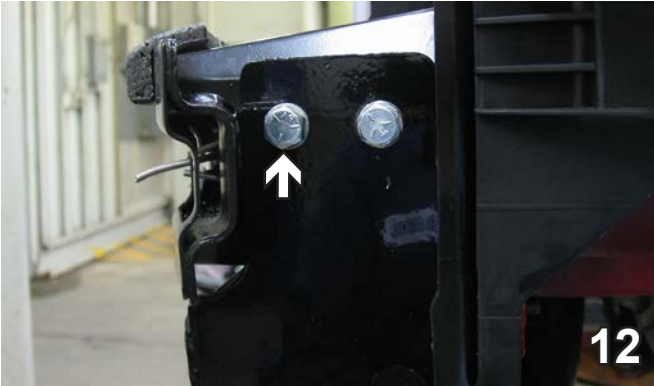
10. Using the baseplate as a template, drill two holes underneath the baseplate and two holes on the side. Do this to both sides using a 13/32" drill bit.



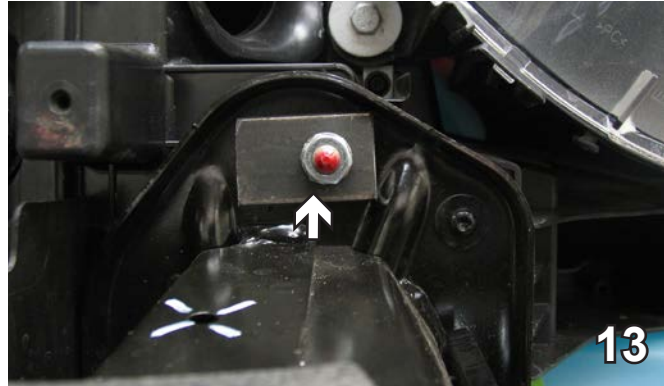
11. Insert 3/8-16 x 1 1/4" bolts with Loctite, 3/8" lock washers and 3/8" nut plates into the drilled holes on the bottom. Do this on both sides.

**BE SURE TO USE LOCTITE® RED ON ALL BOLTS BEFORE TIGHTENING. TIGHTEN ALL BOLTS ACCORDING TO THE TORQUE CHART ON THE FRONT PAGE OF THESE INSTRUCTIONS OR ON PAGE 3 OF THE BASEPLATE TOWING GENERAL INSTRUCTIONS.**

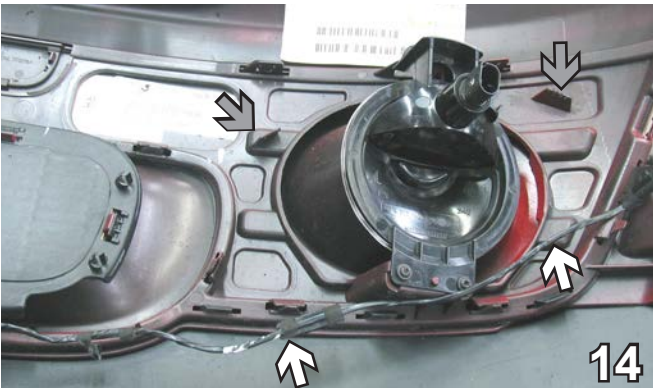
**BX1304**  
**2007-10 Mini Cooper Hardtop (No S)**  
**Installation Instructions**



12. Into the holes drilled in the side also insert 3/8-16 x 1 1/4" bolts with Loctite, 3/8" lock washers and 3/8" nut plates. Do this on both sides.



13. On top of bumper, remove nut and replace with 1" x 1.5" nut with Loctite applied. The hole is located 1" in, and you will need one for both sides.



14. The wire air sensor needs to be moved behind the fog light. It originally was placed around the top of the fog light (gray arrows) and needs to be placed and taped below the fog light. Cut off a clip and tape to the sensor below the fog light.



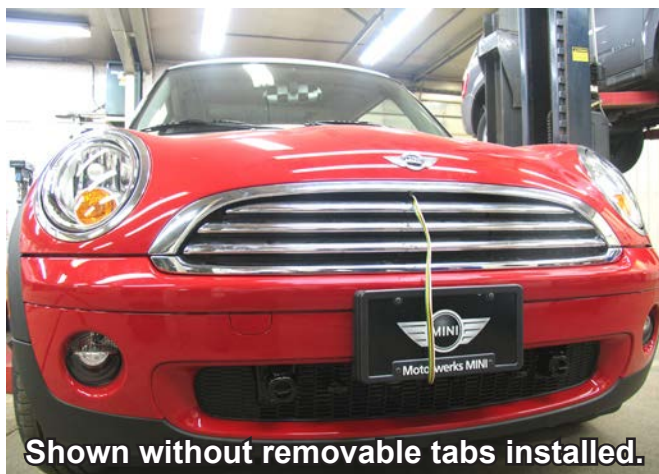
15. The photo above shows recommended installation of the cables to frame of vehicle. If vehicle has additional options (not shown above) which interfere with mounting permanent baseplate safety cables, secure the cables to a solid piece of the vehicle frame as described in instructions included with the permanent baseplate safety cables.

16. Hold the fascia up to its original location. Mark and cut the fascia just on the outside edges of the receiver tube and convenience links. Do this to both sides of the vehicle.

# BX1304

## 2007-10 Mini Cooper Hardtop (No S)

### Installation Instructions



Be sure that **ALL** electrical connections are plugged in properly and functioning **BEFORE** installing the fascia.

## Customer Service Commitment

Blue Ox® is focused on providing exemplary customer service, as observed in our mission statement and guiding principles. In accordance with this objective, Blue Ox® is proud to provide services such as repairs and general maintenance of Blue Ox® products at over 150 RV Rallies. Look for our Destination America or Blue Ox® Racing service crews at the next rally or race that you attend. If you were not present, you will find an informative, personalized note explaining any services that may have been performed to your Blue Ox® products.

Blue Ox® also offers educational seminars at rallies and through our Park and Resort teams. In addition, Blue Ox® customers visiting our factory may take advantage of the well-equipped Blue Ox® RV park at no charge to you, our valued and appreciated customer.

**DEALER or INSTALLER:**  
Be certain the user receives the instruction sheets for their products.



© 2007 Blue Ox  
One Mill Road, Industrial Park  
Pender, Nebraska 68047  
Phone: (402) 385-3051 • Fax: (402) 385-3360  
www.blueox.com

# General Information

1. Ensure that your product(s) are registered online at [www.blueox.com](http://www.blueox.com). It is crucial to register your product(s) so that you may be alerted of product offerings, updates, upgrades, maintenance and safety bulletins, and/or recalls.
2. **It is the owner's responsibility to inspect all towing equipment for cracked welds, missing or worn parts and loose bolts before each towing trip.** Be sure to use Loctite® Red on all bolts and tighten to the recommended specifications.
3. **It is the owner's responsibility to hook up all towing equipment per manufacturer's instructions/recommendations.**
4. Remove the attachment tabs when not in use (if applicable).

## Notice To Baseplate Installer

### 1. It is YOUR responsibility to watch for:

- Oil cooler and air conditioner lines
- Electrical wires and hoses
- Missing parts or attaching points on the frame

\*\* If the baseplate is improperly installed and is against a wire or hose, it could cause fluid leaks or electrical shorts some time after the actual baseplate installation.

## Permanent Baseplate Safety Cable Installation

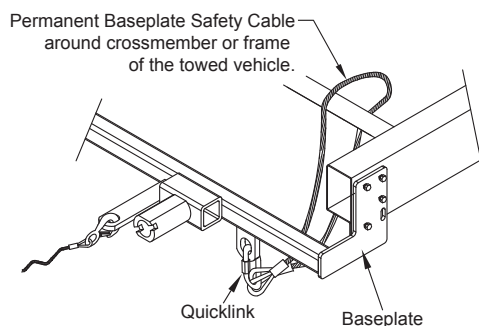
Permanent baseplate safety cables are strongly recommended when towing a vehicle with a tow bar. The principle function of the permanent baseplate safety cables is to prevent the towed vehicle from breaking loose in the event the connection between the frame of the towed vehicle and the baseplate fails or becomes disconnected. The cables must be connected from the baseplate to the frame rail or cross member of the vehicle's frame. The illustrations below show the possible arrangements recommended by Blue Ox®. Each permanent baseplate safety cable must have an adequate weight rating for the towing system. The weight rating of the two (2) cables together will not qualify.

***Do not mount the permanent baseplate safety cables against wires, hoses or brake lines.***

These permanent baseplate safety cables should remain installed as long as the baseplate is installed on the vehicle. Permanent baseplate safety cables are to be used in conjunction with, and NOT a replacement for legally required safety cables attaching the towed vehicle to the towing vehicle.

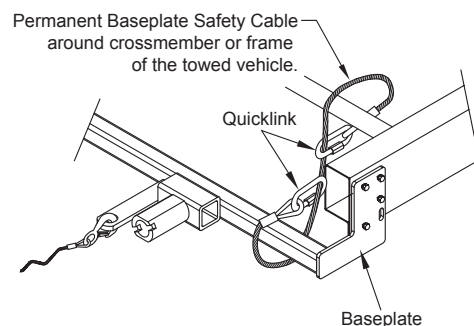
### Option #1

(Baseplates with Convenience Link Tabs)



### Option #2

(Baseplates with out Convenience Link Tabs)





# BLUE OX ORIGINAL PURCHASERS THREE YEAR LIMITED WARRANTY

Automatic Equipment Manufacturing Company ("Automatic") warrants to the original (first) retail purchaser that this product, manufactured by Automatic, shall be free from defect in material and workmanship under normal use and service for a period of three years from the date of delivery.

During said three-year period, Automatic will repair or replace any parts that have been returned by the original purchaser, to the factory, transportation prepaid, and in Automatic's sole and absolute opinion found to be defective.

Limitations on Warranty Coverage:

Coverage under this warranty will be valid only if the customer warranty card is returned by the original purchaser within 30 days of purchase.

Coverage under this warranty will be effective only when a copy of the original invoice, showing date and place of purchase, accompanies any claim for warranty. This warranty is NON TRANSFERABLE.

This limited warranty will not cover, in any way or form, any alleged damages caused by incorrect or improper installation, improper use, modification or neglect of product, failure to properly service and maintain, misuse, act of God, accident or failure of the user to follow guidelines contained in the instructional material provided by Automatic.

This warranty does not cover normal wear and tear, paint or rust.

Warrantor assumes no responsibility to the owner for loss of use of product, loss of time, inconvenience or any other damage consequential or otherwise. Including, but not limited to mileage, expense of transporting of product, return shipping expense, mechanics travel time, telephone, road service, towing, and rental during repairs, travel, lodging, loss or damage to personal property or loss of earnings.

**REPAIR OR REPLACEMENT AS SET FORTH IN THIS LIMITED WARRANTY IS THE SOLE EXCLUSIVE REMEDY OF THE PURCHASER. AUTOMATIC SHALL NOT BE LIABLE FOR ANY INCIDENTAL OR CONSEQUENTIAL DAMAGES FOR BREACH OF ANY EXPRESS OR IMPLIED WARRANTY ON THIS PRODUCT. EXCEPT TO THE EXTENT PROHIBITED BY APPLICABLE LAW, ANY IMPLIED WARRANTY OF MERCHANTABILITY OR FITNESS FOR A PARTICULAR PURPOSE ON THIS PRODUCT IS LIMITED IN LENGTH TO THE DURATION OF THIS WARRANTY.**

Please visit <http://blueox.com/warranty/> to register your warranty

