



BX2641

2009-13 Ford F150 Pickup XL/STX/XLT/Harley Davidson with Standard Tabs (2WD/4WD & No Ecoboost) Installation Instructions

Attachment Tab Height: 16"

Attachment Tab Width: 33"

Serial Number

Please read BOTH these Installation Instructions and the General Instructions prior to installing or operating this equipment.

- Blue Ox® towing products and accessories are intended to be installed by Blue Ox® Dealers who are familiar with our products and have the equipment and knowledge necessary to do "fit work". If needed, Blue Ox® Dealers can be found at www.blueox.com or by contacting our Customer Care Department at (402) 385-3051.
- Many Blue Ox® baseplates are designed to use existing holes and hardware to mount the baseplate to the towed vehicle. Even though bolts are there, do not assume they are adequate for baseplate mounting. Always use the hardware supplied in the hardware kit and existing hardware as specified in the installation instructions.



If the front of your vehicle looks different than this, please contact us at (402)385-3051.

Bolt Torque Specifications

Torque in Foot-Pounds for Metric Bolts

Bolt Size	Grade 8.8	Grade 10.9
6MM	6	8
8MM	16	22
10MM	31	40
12MM	54	70
14MM	89	117

Bolt Torque Specifications

Torque in Foot-Pounds for Inch Bolts

Bolt Size	Grade 5	Grade 8
1/4"	10	14
5/16"	19	29
3/8"	33	47
7/16"	54	78
1/2"	78	119
5/8"	154	230

Reference your vehicle owner's manual for manufacturer's towing specifications.



WARNING

Failure to read and follow these instructions could result in separation of the towed vehicle from the tow bar, causing property damage, loss of towed vehicle, personal injury or death.

BX2641
2009-13 Ford F150 Pickup XL/STX/XLT/Harley Davidson
with Standard Tabs (2WD/4WD & No Ecoboost)
Installation Instructions

Instruction Notes: The bumper is removed and reinstalled for the baseplate installation. Some drilling and trimming is required. The tow hooks are removed and remain off the vehicle.

Place all components that are removed on a flat, sturdy surface. All items will be reinstalled unless otherwise noted after the baseplate is installed.

The dimensional variations between otherwise identical vehicles can be considerable. While the baseplate was designed for easy installation, it may be necessary to tailor the baseplate slightly to compensate for vehicle manufacturer's tolerances.

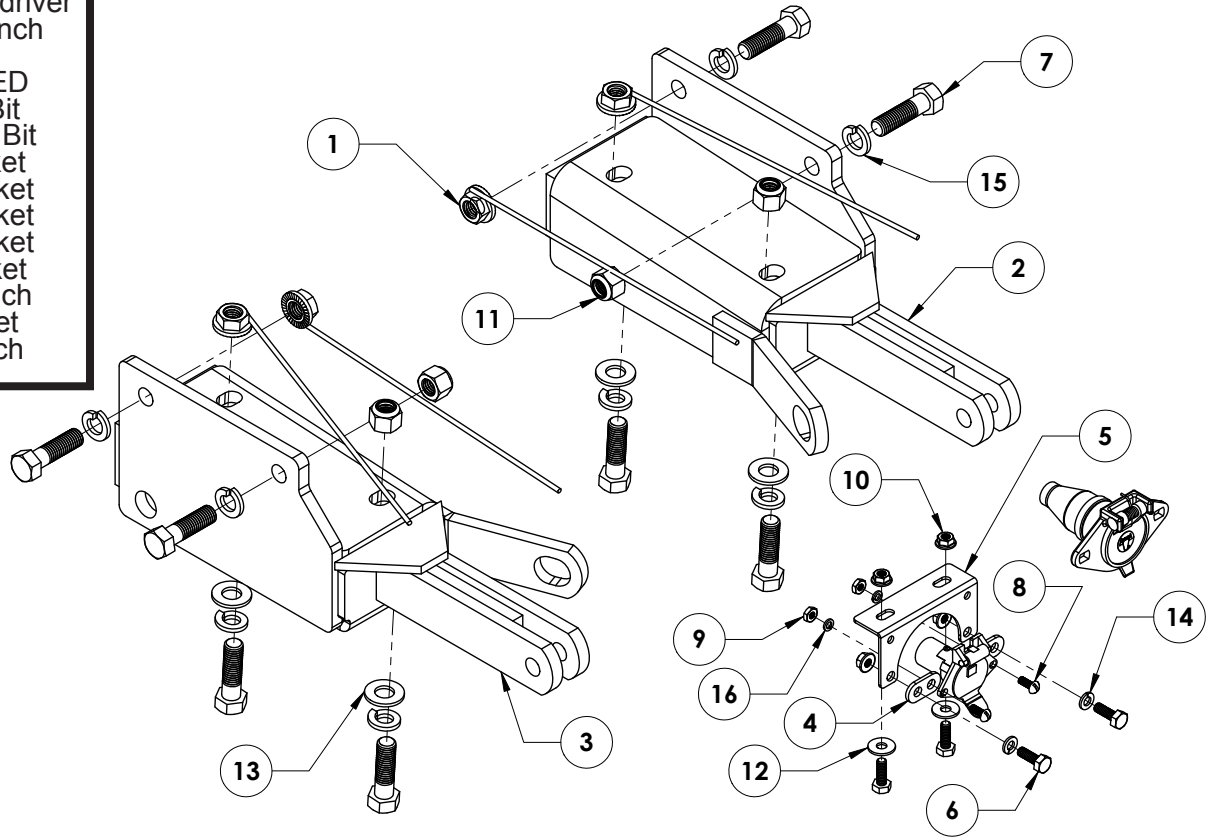
The BX8869 Tail Light Wiring Kit is recommended for this vehicle.

NOTICE

- Handling of some cosmetic parts when installing this product may require the use of protective covers, rags, specialty tools, etc. to prevent damage.
- When using power drills be aware of the dangers of torque and drill bit length.
- When using a reciprocating saw be aware of objects behind the cutting surface.
- Use a good quality paint to spray cut edges of frame to prevent rusting.
- Be sure that **ALL** electrical connections are plugged in and accessories are functioning properly before reinstalling the fascia.
- Do not use the towed vehicle for storing luggage, equipment, etc. This may cause you to exceed the towing capacity of the tow bar, baseplate and its accessories.
- Be sure to use Loctite® Red on all bolts before tightening. Tighten all bolts according to the torque chart provided.
- Dealer or installer be certain the user receives these instruction sheet.

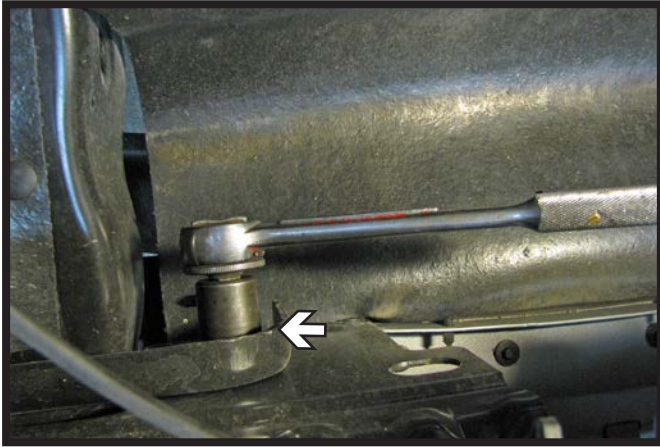
BX2641
2009-13 Ford F150 Pickup XL/STX/HLT/Harley Davidson
with Standard Tabs (2WD/4WD & No Ecoboost)
Installation Instructions

- Tools Required**
- Flat Screwdriver
 - Utility Knife
 - Phillips Screwdriver
 - Torque Wrench
 - Drill
 - Loctite® RED
 - 1/4" Drill Bit
 - 17/32" Drill Bit
 - 8MM Socket
 - 13MM Socket
 - 15MM Socket
 - 21MM Socket
 - 7/16" Socket
 - 7/16" Wrench
 - 3/4" Socket
 - 3/4" Wrench

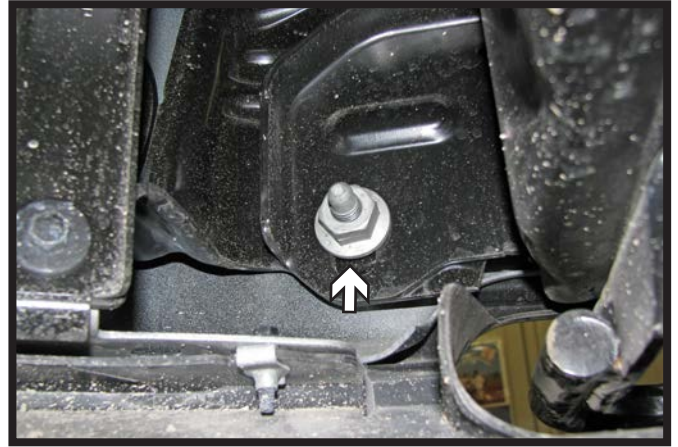


Item No.	Part No.	Description	Qty.
1.....	61-4029.....	1/2"-13 Whiz Nut w/ 14" Wire	4
2.....	61-7132.....	BX2641 Baseplate, DS.....	1
3.....	61-7133.....	BX2641 Baseplate, PS.....	1
4.....	101-5822.....	4 Way Connector Adapter	2
5.....	101-6135.....	90 Degree Electrical Bracket.....	1
6.....	201-0050.....	1/4"-20 x 3/4" Hex Head Bolt, Grade 5, ZP	4
7.....	201-0068.....	1/2"-13 x 1-3/4" Hex Head Bolt, Grade 5, ZP	8
8.....	201-0192.....	#10-32 x 1/2" Round Slotted Head Screw	2
9.....	202-0047.....	#10-32 Hex Nut	2
10.....	202-0069.....	1/4"-20 Hex Flange Whiz Lock Nut, ZP	4
11.....	202-0094.....	1/2"-13 Hex Nylon Lock Nut, ZP.....	4
12.....	203-0001.....	1/4" Flat Washer, ZP.....	2
13.....	203-0005.....	1/2" Flat Washer, ZP.....	4
14.....	203-0008.....	1/4" Lock Washer, ZP	4
15.....	203-0012.....	1/2" Lock Washer, ZP	8
16.....	203-0054.....	#10 Lock Washer, ZP	2
17.....	226-0049(not shown).....	Class IV Safety Cables.....	2
18.....	229-0512(not shown).....	1/2" Quicklink, ZP	4

BX2641
2009-13 Ford F150 Pickup XL/STX/XLT/Harley Davidson
with Standard Tabs (2WD/4WD & No Ecoboost)
Installation Instructions



1. From the top side of the bumper, using a 21MM socket, remove the bolt from inner side of the frame. Do this on both sides of the vehicle.



2. From the underside of the bumper, using a 21MM socket, remove the bolt from the outer side of the frame. Do this on both sides of the vehicle.



3. Using a 8MM socket, remove the two (2) bolts from the top side of the bumper. Unhook any electrical connections and pull the bumper from the vehicle.

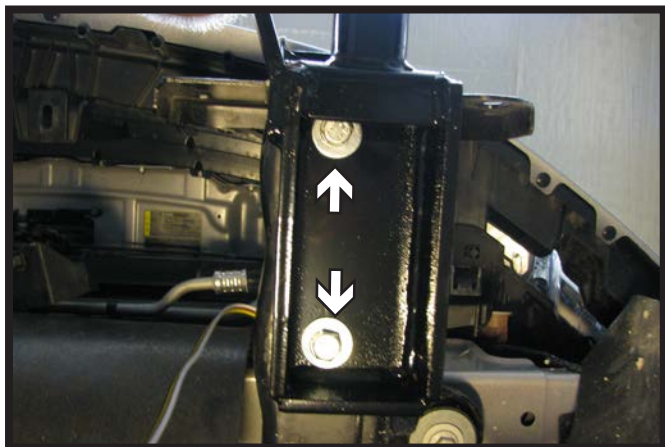


4. **2010-11 Models:** Using a 13MM socket, remove the lower air dam from the vehicle. The air dam will not be reinstalled.

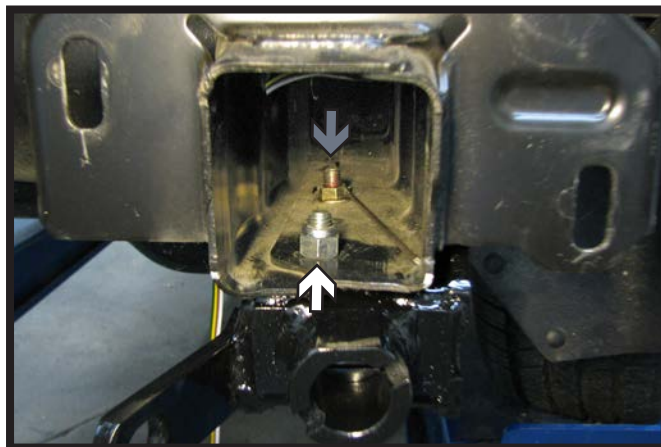


5. Remove the tow hook from both sides by removing the two bolts using a 15MM socket. Set tow hooks and bolts aside, they will not be reinstalled.

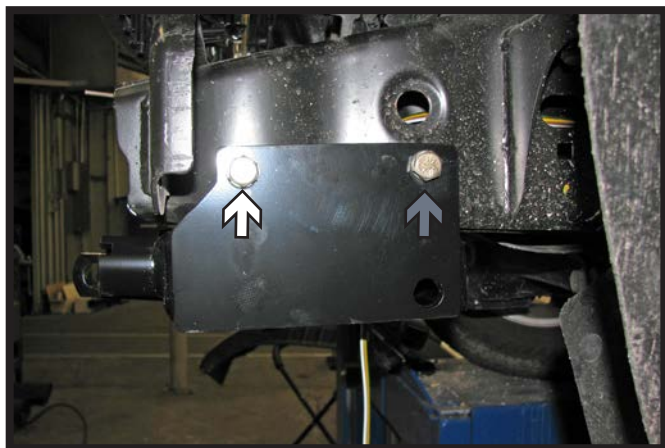
BX2641
2009-13 Ford F150 Pickup XL/STX/XLT/Harley Davidson
with Standard Tabs (2WD/4WD & No Ecoboost)
Installation Instructions



6. Hold the baseplate up, align with the existing two (2) holes on the bottom of the frame. Insert 1/2"-13 x 1 3/4" bolts, 1/2" lock washers and 1/2" flat washers. Do this to both sides.
Some vehicles may not have the existing back hole for the baseplate and may require drilling with a 17/32" drill bit.



7. The front bolt (white) uses a 1/2"-13 nylon hex nut. The back bolt (gray) uses a 1/2"-13 whiz nut plate. Tighten down while pushing the plate toward the frame. Do this to both sides.

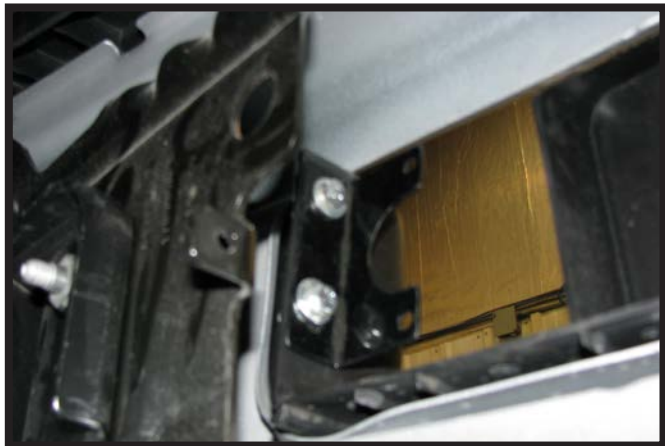


8. With the baseplate as a template, use a 17/32" drill bit to drill the two (2) holes on the sides of the baseplate. Insert a 1/2"-13 x 1-3/4" hex bolt, 1/2" lock washer and 1/2"-13 nylon hex nut into the front hole (white). Then insert a 1/2"-13 x 1-3/4" bolt, 1/2" lock washer and 1/2"-13 whiz nut plate into the back hole (gray).



9. Attach the permanent baseplate safety cables to the provided convenience link on the baseplate. The photo above shows the recommended installation of the cables to frame of vehicle. Additional options may interfere with suggested mounting; in this case, secure the cables to a solid piece of the frame as described in the instructions included with the permanent baseplate safety cables. Be sure the safety cables do not rub against any hoses or moving parts. Do this on **BOTH** sides of the vehicle.

BX2641
2009-13 Ford F150 Pickup XL/STX/XLT/Harley Davidson
with Standard Tabs (2WD/4WD & No Ecoboost)
Installation Instructions



10. Install the electrical bracket on either side of the vehicle depending on the location of the plug in of the coach. Hold up the bracket and mark on the back side. Attach with 1/4"-20 x 3/4" hex bolts, 1/4" lock washers, 1/4" flat washers and 1/4"-20 whiz nuts.



11. **Harley Edition Only:** Hold the bumper as close to it's original position. Mark the bumper for cutting out around the baseplate. Using a utility knife, trim the bumper and reinstall.
12. Reinstall the bumper and reconnect wiring.

If the baseplate is in an accident, it must be replaced. DO NOT use it again! An accident can cause unseen damage and using it again could result in more damage or serious injury. DO NOT use the baseplate if it is damaged or missing parts.

CUSTOMER SERVICE COMMITMENT

Blue Ox® is committed to providing you with exceptional customer care throughout your lifetime with our products. Our team is here to assist you with any questions you may have regarding the performance of your product. Simply call (402) 385-3051 and you can speak with our customer care team.

Additionally, please visit our website to see which rallies our Destination America team will be attending. For a nominal fee, our service technician will service your towing system to ensure it's in proper working condition. Also, as a commitment to our customers, should you visit our factory, you can stay at our full service Blue Ox® campground at no charge along with enjoying a factory tour.

Again, thank you for being our customer and for the confidence you have shown in the performance of our products. It is because of customers like you we enjoy the success we have today.

© 2012 Blue Ox
One Mill Road, Industrial Park
Pender, Nebraska 68047
Phone: (402) 385-3051
Fax: (402) 385-3360
www.blueox.com

General Information

1. Ensure that your product(s) are registered online at www.blueox.com. It is crucial to register your product(s) so that you may be alerted of product offerings, updates, upgrades, maintenance and safety bulletins, and/or recalls.
2. **It is the owner's responsibility to inspect all towing equipment for cracked welds, missing or worn parts and loose bolts before each towing trip.** Be sure to use Loctite® Red on all bolts and tighten to the recommended specifications.
3. **It is the owner's responsibility to hook up all towing equipment per manufacturer's instructions/recommendations.**
4. Remove the attachment tabs when not in use (if applicable).

Notice To Baseplate Installer

1. It is YOUR responsibility to watch for:

- Oil cooler and air conditioner lines
- Electrical wires and hoses
- Missing parts or attaching points on the frame

** If the baseplate is improperly installed and is against a wire or hose, it could cause fluid leaks or electrical shorts some time after the actual baseplate installation.

Permanent Baseplate Safety Cable Installation

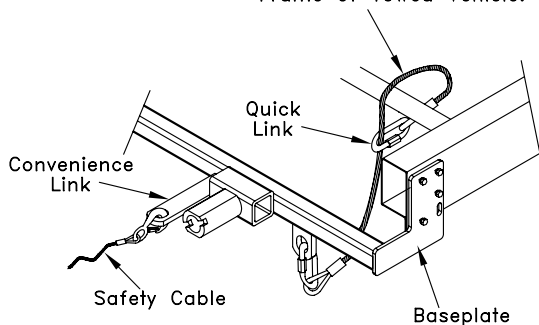
Permanent baseplate safety cables are strongly recommended when towing a vehicle with a tow bar. The principle function of the permanent baseplate safety cables is to prevent the towed vehicle from breaking loose in the event the connection between the frame of the towed vehicle and the baseplate fails or becomes disconnected. The cables must be connected from the baseplate to the frame rail or cross member of the vehicle's frame. The illustrations below show the possible arrangements recommended by Blue Ox®. Each permanent baseplate safety cable must have an adequate weight rating for the towing system. The weight rating of the two (2) cables together will not qualify.

Do not mount the permanent baseplate safety cables against wires, hoses or brake lines.

These permanent baseplate safety cables should remain installed as long as the baseplate is installed on the vehicle. Permanent baseplate safety cables are to be used in conjunction with, and NOT a replacement for legally required safety cables attaching the towed vehicle to the towing vehicle.

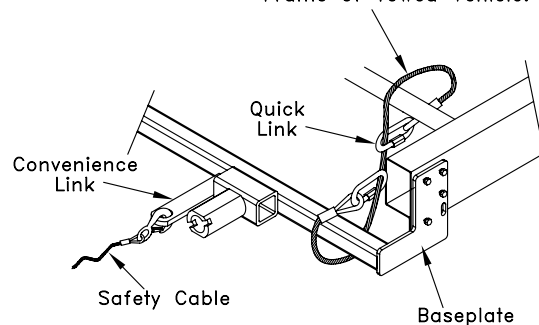
OPTION #1

Permanent Baseplate Safety Cables to Cross Member or Frame of Towed Vehicle.



OPTION #2

Permanent Baseplate Safety Cables to Cross Member or Frame of Towed Vehicle.



BLUE OX ORIGINAL PURCHASERS THREE YEAR LIMITED WARRANTY

Automatic Equipment Manufacturing Company ("Automatic") warrants to the original (first) retail purchaser that this product, manufactured by Automatic, shall be free from defect in material and workmanship under normal use and service for a period of three years from the date of delivery.

During said three-year period, Automatic will repair or replace any parts that have been returned by the original purchaser, to the factory, transportation prepaid, and in Automatic's sole and absolute opinion found to be defective.

Limitations on Warranty Coverage:

Coverage under this warranty will be valid only if the customer warranty card is returned by the original purchaser within 30 days of purchase.

Coverage under this warranty will be effective only when a copy of the original invoice, showing date and place of purchase, accompanies any claim for warranty. This warranty is NON TRANSFERABLE.

This limited warranty will not cover, in any way or form, any alleged damages caused by incorrect or improper installation, improper use, modification or neglect of product, failure to properly service and maintain, misuse, act of God, accident or failure of the user to follow guidelines contained in the instructional material provided by Automatic.

This warranty does not cover normal wear and tear, paint or rust.

Warrantor assumes no responsibility to the owner for loss of use of product, loss of time, inconvenience or any other damage consequential or otherwise. Including, but not limited to mileage, expense of transporting of product, return shipping expense, mechanics travel time, telephone, road service, towing, and rental during repairs, travel, lodging, loss or damage to personal property or loss of earnings.

REPAIR OR REPLACEMENT AS SET FORTH IN THIS LIMITED WARRANTY IS THE SOLE EXCLUSIVE REMEDY OF THE PURCHASER. AUTOMATIC SHALL NOT BE LIABLE FOR ANY INCIDENTAL OR CONSEQUENTIAL DAMAGES FOR BREACH OF ANY EXPRESS OR IMPLIED WARRANTY ON THIS PRODUCT. EXCEPT TO THE EXTENT PROHIBITED BY APPLICABLE LAW, ANY IMPLIED WARRANTY OF MERCHANTABILITY OR FITNESS FOR A PARTICULAR PURPOSE ON THIS PRODUCT IS LIMITED IN LENGTH TO THE DURATION OF THIS WARRANTY.

Please visit <http://blueox.com/warranty/> to register your warranty

