



# BX3310

- 1995-02 Saturn SC1
- 1997-02 Saturn SC2
- 1996-02 Saturn SL, SL1
- 1993-02 Saturn SL2, SW2
- 1996-99 Saturn SW1

## Installation Instructions

Serial Number

**Please read BOTH these Installation Instructions and the General Instructions before attempting to install or operate this equipment.**

Attachment Tab Height: 13"  
Attachment Tab Width: 24"

1. Blue Ox® towing products and accessories are intended to be installed by Blue Ox® Dealers who are familiar with our products and have the equipment necessary and knowledge to do "fit work". When necessary Blue Ox® Dealers can be found at [www.blueox.com](http://www.blueox.com) or by contacting our Customer Care Department at (402) 385-3051.
2. Many Blue Ox® Baseplates are designed to use existing holes and hardware to mount the baseplate to the towed vehicle. Even though bolts are there, do not assume they are adequate for baseplate mounting. Always use hardware supplied in the hardware kit and existing hardware specified in the Baseplate Installation Instructions.

**Bolt Torque Specifications**  
Torque in Foot-Pounds for Metric Bolts

Bolt Size	Grade 8.8	Grade 10.9
6MM	6	8
8MM	16	22
10MM	31	40
12MM	54	70
14MM	89	117

**Bolt Torque Specifications**  
Torque in Foot-Pounds for Inch Bolts

Bolt Size	Grade 5	Grade 8
1/4"	10	14
5/16"	19	29
3/8"	33	47
7/16"	54	78
1/2"	78	119
5/8"	154	230

Confirm the towability and pre-towing procedures for your vehicle with the owner's manual or contact the vehicle's manufacturer for specific towing procedures.

**⚠ WARNING**

Failure to read and follow these instructions could result in separation of the towed vehicle from the tow bar, causing property damage, loss of towed vehicle, personal injury or death.

**BX3310**  
 1995-02 Saturn SC1  
 1997-02 Saturn SC2  
 1996-02 Saturn SL, SL1  
 1993-02 Saturn SL2, SW2  
 1996-99 Saturn SW1

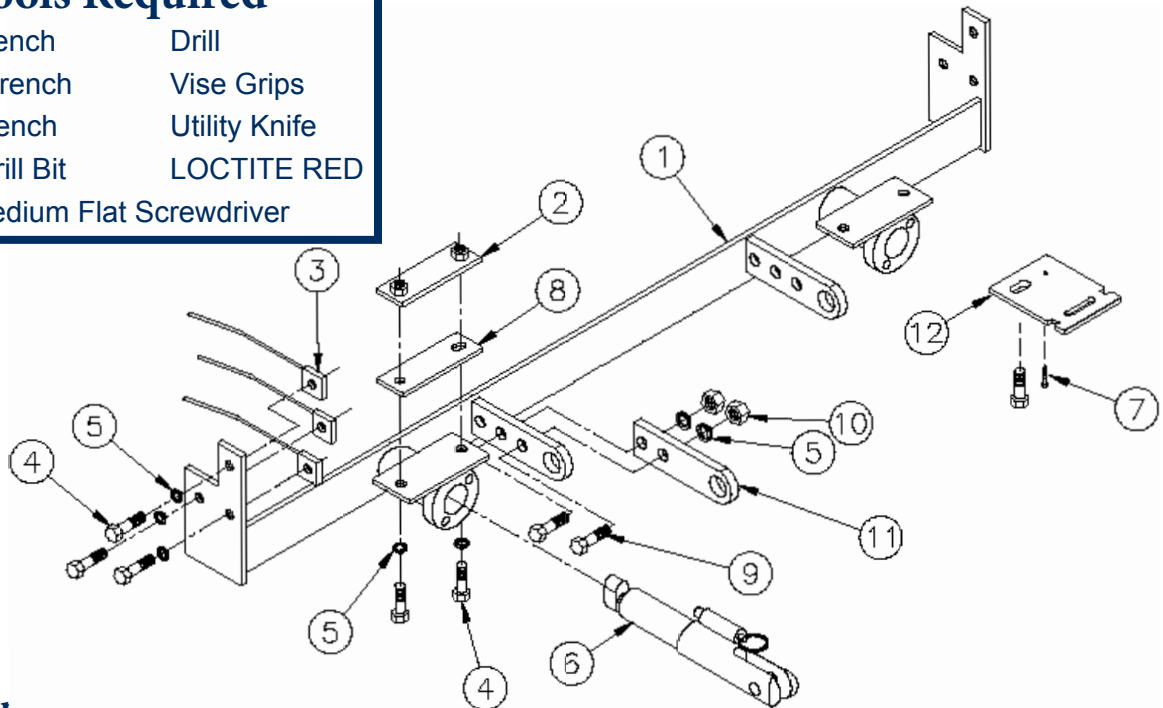
## Installation Instructions

### Parts List

Ref. No.	Qty.	Part #	Description
1	1	61-5205	Weldment, Baseplate, BX3310
2	2	61-5207	Nut Plate With Wire 3/8 Inch
3	6	61-5208	Weldment, Small Nutplate with Wire
4	10	201-0440	3/8x1 1/2" Hex Bolt, Grade 5
5	14	203-0010	3/8" Lock Washer
6	2	62-3470	Removable Attachment Tab, LF/LB
7	2	201-0654	Self Drilling Screw #10-16x1"
8	2	102-5550	SL and SW model Spacer, BX3310
9	4	201-0368	3/8"x1 1/4" Hex Bolt, Grade 5
10	4	202-0003	3/8" Nut, Hex, ZP
11	2	102-4079	Convenience Link
12	2	102-5696	Fog Light Bracket
	6	61-4978	3/8" Wire Nut (Not Shown)
	2	290-0437	Cap Plug, Black (Not Shown)
	2	226-0046	Baseplate Safety Cable, 36" CL III (Not Shown)
	4	229-0359	Quicklink, 3/8, ZP (Not Shown)

### Tools Required

7MM Wrench	Drill
10MM Wrench	Vise Grips
9/16" Wrench	Utility Knife
13/32" Drill Bit	LOCTITE RED
Medium Flat Screwdriver	



### Important...

Use only genuine factory replacement parts on your baseplate. Do NOT substitute homemade or non-typical parts. If a bolt is lost or in need of replacement, for your safety and the preservation of your baseplate, be sure to use a replacement bolt of the same grade (In most cases it will be Grade 5, please reference the parts list above). Replacement parts may be ordered through your nearest Blue Ox® Dealer or Distributor, or call our Customer Care Team at (402)385-3051. Failing to follow and/or altering these installation instructions in either installation or required equipment will void the manufacturer's warranty. Towing behind a non-motorized vehicle will void the warranty.

# BX3310

1995-02 Saturn SC1

1997-02 Saturn SC2

1996-02 Saturn SL, SL1

1993-02 Saturn SL2, SW2

1996-99 Saturn SW1

## Installation Instructions

### Attachment Tabs:

Motorhome mount tow bars are recommended for use with this baseplate. Due to the design of the removable tabs, the RangeFinder II, Adventurer, and Ambassador tow bars can not be used. The Acclaim tow bar may be used, but will not fold and store on the front of the vehicle. Adapters, except the BX 8833 and the BX88151, can not be used with this baseplate.

### Installation Notes:

The baseplate mounts to the bottom of the metal bumper and the lower-sub frame assembly. The bumper molding needs to be removed. Drilling is required. The plastic radiator shroud and the center plastic molding need to be trimmed for the baseplate installation. The attachment tabs will extend through the top grille opening approximately four inches.

Some vehicles fascia's may need trimming. The dimensional variations between otherwise identical vehicles can be considerable. While the baseplate was designed for easy installation, it may be necessary to tailor the baseplate slightly to compensate for auto manufacturer's tolerances. These minor adjustments may include filing a hole slightly, bending electrical rods or bending end plates.

**The Bx8869 Bulb and Socket Wiring Kit is recommended for this vehicle.**

## Installation Instructions

1. Read the Baseplate General Towing Instructions sheet included with the baseplate.
2. Remove the plastic rivets on the top center and the edge of the bumper molding. On the front edge of the fender wells are screws (7MM Wrench) which need to be removed. Next pull the fender well molding back and reach up inside with a 10MM socket and long extension to loosen the bolts that fasten the bumper molding to each quarter panel. Then pull the bumper forward and down to remove. On older models, remove the headlight assemblies, then pull off the bumper molding.
3. Remove the black plastic center piece bolted to the bottom of the aluminum bumper.
4. The plastic molding surrounding the radiator interferes with the installation of the baseplate and will need to be notched. Starting from where plastic piece meets the bottom of the metal bumper, measure down 2 inches and mark it. Then measure back 2 1/2" and make another mark. Again measure down 3 1/4" and make another mark and then back out to the front of the shroud. Make a line to each mark and cut out the small piece. Do this to both sides of the plastic shroud. Do not cut the shroud completely out the back, as that will considerably weaken it. **See Diagram 1 on page 4.**

# BX3310

1995-02 Saturn SC1

1997-02 Saturn SC2

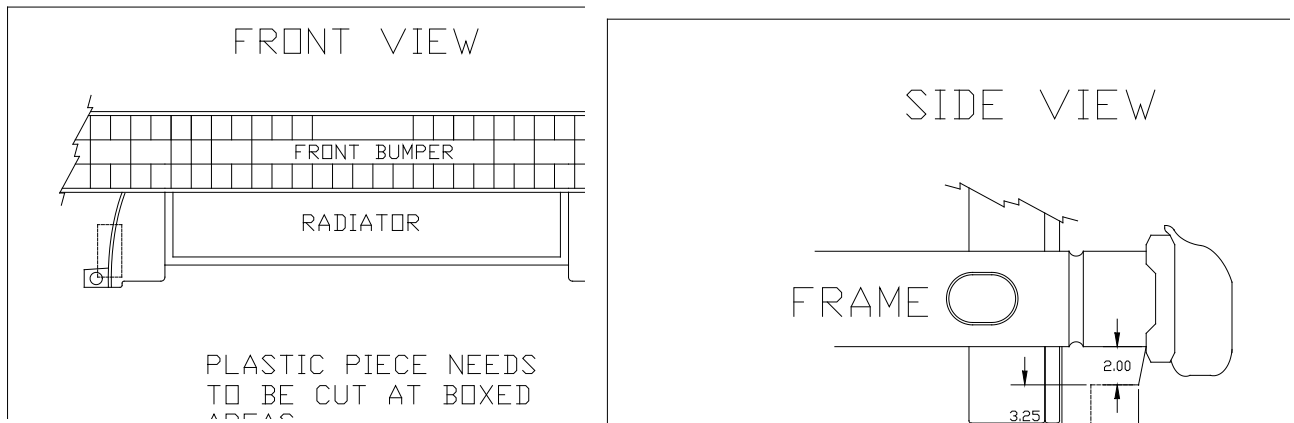
1996-02 Saturn SL, SL1

1993-02 Saturn SL2, SW2

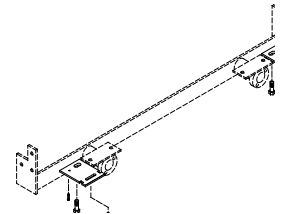
1996-99 Saturn SW1

## Installation Instructions

### Diagram 1



5. Hold the baseplate up so the inside plates are positioned on the outside of the frame (in front of the indent). The baseplate is positioned correctly if the side plates are in front of the indents and the front braces on the baseplate align with the bottom of the metal bumper. **NOTE: Older models have quarter panel braces interfering with the side plates. Remove the bolts that fasten these braces to the frame and then position the baseplate in the correct position.**
6. Once the baseplate is positioned correctly clamp it to the frame. Using the baseplate as a template, drill the four 3/8" holes for the front braces. Remove the clamps or vice grips and insert the spacers. **NOTE: the spacers are used on the SL and SW models only.** Reclamp the baseplate to the frame. Insert the front nutplate and align it with the 3/8"x1 1/2" hex bolt, and the 3/8" lock washer.
7. Drill the outside holes for the side plates. Use the hardware provided to bolt the baseplate to the frame and the metal bumper. Use the large nutplate with the front metal bumper attachment assemblies and the small nutplates with the side plates. Refer to the diagram and the drawing below. Use LOCTITE Red on all bolts before tightening. Once all the bolts have been started, tighten and torque all bolts according the Bolt Torque Guidelines in the **Diagram 2** Baseplate General Towing Instructions.
8. Replace any of the lower plastic that was removed for the baseplate installation. On some of the older models it is necessary to cut an opening in the grille section for the attachment tabs. Place the bumper molding up to its original position and mark area needing to be trimmed. Once the molding is trimmed return it to its original position.



Install the tow bar and the safety cables according to the instructions included in their packages.

Do NOT substitute other devices if the tow bar pin and clip are lost.

Dealer or Installer: Be certain the user receives the instruction sheet.

# BX3310

1995-02 Saturn SC1

1997-02 Saturn SC2

1996-02 Saturn SL, SL1

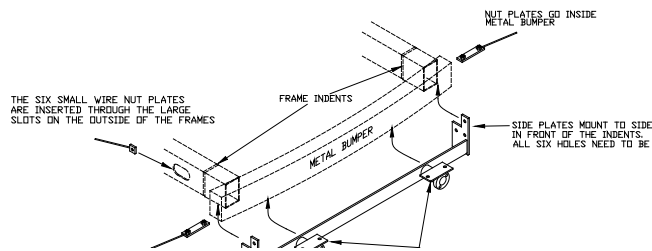
1993-02 Saturn SL2, SW2

1996-99 Saturn SW1

## Installation Instructions

### Operation:

To install the tow bar connectors, push the connector all the way in through the bumper mount with the release pin housing up. Rotate the connector until the locking pin engages. To remove the tow bar connectors from the car, pull on the ring to release the lock pin and rotate the connector. Pull the connector straight ahead to remove. Be sure to rotate the connectors so the pin assemblies point up.



### CUSTOMER SERVICE COMMITMENT

Blue Ox is committed to providing you with exceptional customer care throughout your lifetime with our products. Our team is here to assist you with any questions you may have regarding the performance of your product. Simply call (402) 385-3051 and you can speak with our customer care team.

Additionally, please visit our website to see which rallies our Destination America team will be attending. For a nominal fee, our service technician will service your towing system to ensure it's in proper working condition. Also as a commitment to our customers, should you visit our factory you can stay at our full service Blue Ox campground at no charge along with enjoying a factory tour.

Again thank you for being our customer and for the confidence you have shown in the performance of our products. It is because of customers like you we enjoy the success we have today.



© 2006, 08, 10 Blue Ox  
One Mill Road, Industrial Park  
Pender, Nebraska 68047  
Phone: (402) 385-3051  
Fax: (402) 385-3360  
www.blueox.com

# General Information

1. Ensure that your product(s) are registered online at [www.blueox.com](http://www.blueox.com). It is crucial to register your product(s) so that you may be alerted of product offerings, updates, upgrades, maintenance and safety bulletins, and/or recalls.
2. **It is the owner's responsibility to inspect all towing equipment for cracked welds, missing or worn parts and loose bolts before each towing trip.** Be sure to use Loctite® Red on all bolts and tighten to the recommended specifications.
3. **It is the owner's responsibility to hook up all towing equipment per manufacturer's instructions/recommendations.**
4. Remove the attachment tabs when not in use (if applicable).

## Notice To Baseplate Installer

### 1. It is YOUR responsibility to watch for:

- Oil cooler and air conditioner lines
- Electrical wires and hoses
- Missing parts or attaching points on the frame

\*\* If the baseplate is improperly installed and is against a wire or hose, it could cause fluid leaks or electrical shorts some time after the actual baseplate installation.

## Permanent Baseplate Safety Cable Installation

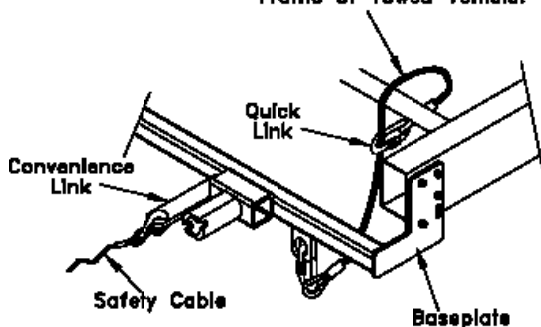
Permanent baseplate safety cables are strongly recommended when towing a vehicle with a tow bar. The principle function of the permanent baseplate safety cables is to prevent the towed vehicle from breaking loose in the event the connection between the frame of the towed vehicle and the baseplate fails or becomes disconnected. The cables must be connected from the baseplate to the frame rail or cross member of the vehicle's frame. The illustrations below show the possible arrangements recommended by Blue Ox®. Each permanent baseplate safety cable must have an adequate weight rating for the towing system. The weight rating of the two (2) cables together will not qualify.

***Do not mount the permanent baseplate safety cables against wires, hoses or brake lines.***

These permanent baseplate safety cables should remain installed as long as the baseplate is installed on the vehicle. Permanent baseplate safety cables are to be used in conjunction with, and NOT a replacement for legally required safety cables attaching the towed vehicle to the towing vehicle.

### OPTION #1

Permanent Baseplate Safety Cables to Cross Member or Frame of Towed Vehicle.



### OPTION #2

Permanent Baseplate Safety Cables to Cross Member or Frame of Towed Vehicle.

