



Strong As An Ox™

## BX3501 Installation Instructions 1986-94 Suzuki Samurai

Installation of this baseplate requires removing the front bumper.

1. Read the General Instruction Sheet included with this baseplate.
2. The baseplate mounts to the front underside of the car using nine provided bolts, three on each side, and three on the tie down loop of the car.
3. Untwist the fasteners which hold the turn signal wires to the bumper and to the frame.
4. Remove the screws from the turn signals in the front bumper and remove the plastic lenses. Note which way the light socket sits in the bumper, as it could be reversed during reinstallation.
5. Pull the socket forward and turn it so that the lights are up and the short ends of the socket face the rear, then push the socket through the hole in the bumper.
6. Remove the front bumper to gain access to the chassis. It is attached with two bolts on each side. The bumper will be reinstalled when the baseplate is mounted.
7. Some vehicles have "L" shaped shipping brackets bolted to the end of the frame rails which must be removed.
8. The dimensional variations between otherwise identical cars can be considerable. While the location and size of the holes in the baseplate were designed to allow for easy installation, it may be necessary to file a hole slightly to allow a bolt to clear.
9. Position the baseplate on the end of the frame rails so that the holes in the upright brackets align with the holes in the end of the rails and the rear baseplate bracket rests on top of the "wire" tie down loop.
10. Insert the six 3/8 x 1 bolts through the holes in the upright brackets and frame rails and loosely secure with lock washers and nuts. Use loctite or a similar product.
11. Hold the "tie down" clamp in place under the baseplate rear bracket and "tie down" loop and insert two of the 3/8 x 1 1/2 bolts through the lower holes in the clamp and bracket, using Loctite.
12. Slide the "tie down" insert into the pocket inside the wire "tie down" loop made by the baseplate bracket and the "tie Down" clamp and insert a 3/8 x 1 1/2 bolt down through the bracket, insert, and clamp. Loosely secure with a lock washer and nut using Loctite.
13. When all bolts align, tighten securely. Replace bumper and turn signals.
14. Install the tow bar and safety cables according to the instructions included in their packages.
15. Do not substitute other devices if the tow bar pin and clip are lost.
16. **DEALER OR INSTALLER:** BE CERTAIN THE USER RECEIVES THE INSTRUCTION SHEET.

## Tools Required

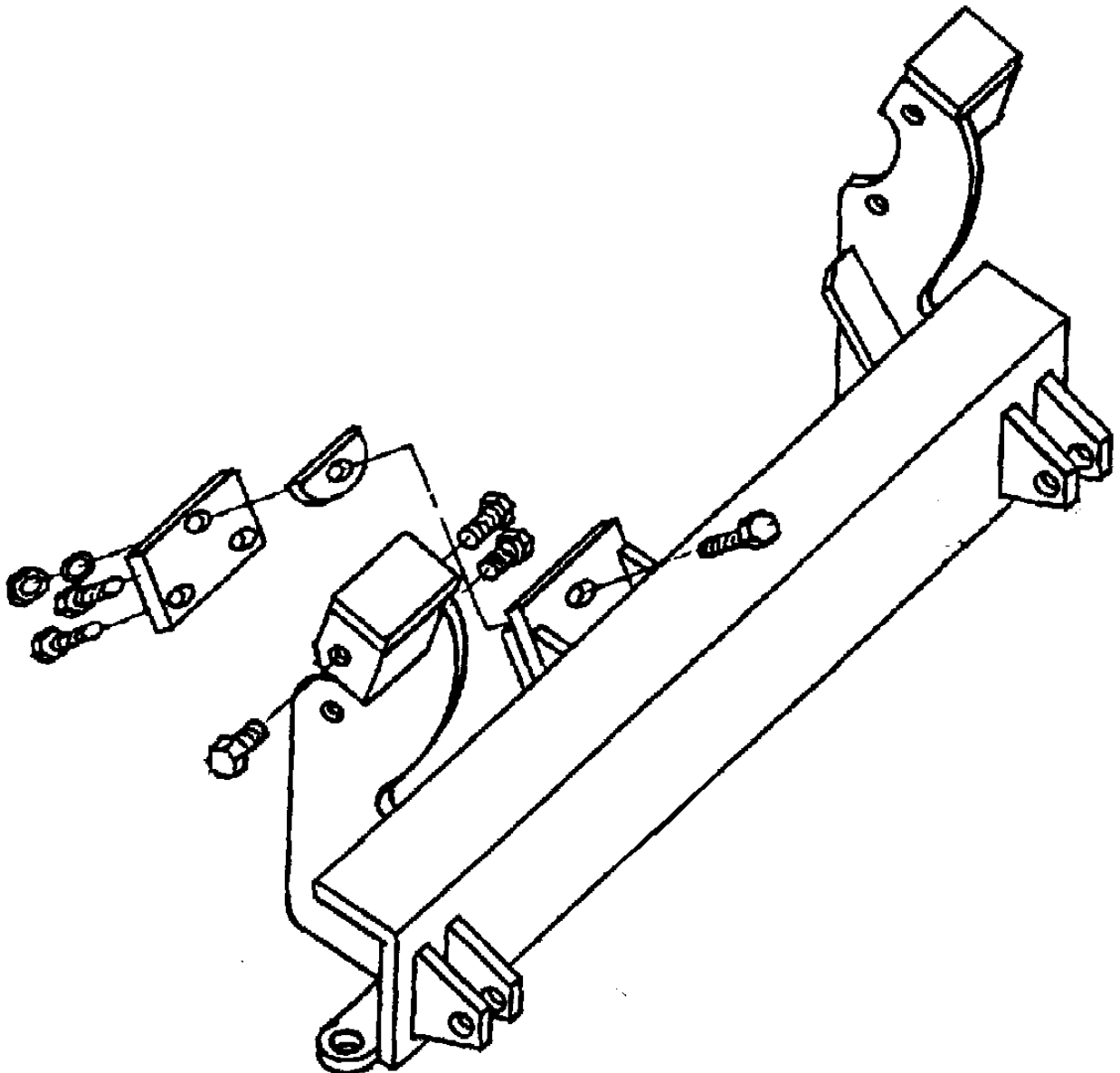
Phillips head screwdriver  
9/16" socket

12mm socket  
3/4" socket

Loctite Red  
9/16" combination wrench

## Parts List

Ref. No	Qty.	Part No.	Description
1	1	101-4481	Tie Down Insert, Samurai
2	1	102-2664	Flat, Tie Down Clamp, Samurai
3	1	61-3271	Weldment, Base Plate, BX3501
4	6	201-0443	3/8-16 X 1 Hex Bolt Grd.5, ZP
5	3	201-0440	3/8-16 X 1 1/2 Hex Bolt Grd.5, ZP
6	9	202-0003	3/8-16 Hex Nut ZP
7	9	203-0010	3/8 Lock Washer, ZP
8	9	203-0003	3/8 Flat Washer ZP
	2	226-0046	Baseplate Safety Cable, 36" CL III (Not Shown)
	4	229-0359	Quicklink, 3/8, ZP (Not Shown)



# General Information

1. Ensure that your product(s) are registered online at [www.blueox.com](http://www.blueox.com). It is crucial to register your product(s) so that you may be alerted of product offerings, updates, upgrades, maintenance and safety bulletins, and/or recalls.
2. **It is the owner's responsibility to inspect all towing equipment for cracked welds, missing or worn parts and loose bolts before each towing trip.** Be sure to use Loctite® Red on all bolts and tighten to the recommended specifications.
3. **It is the owner's responsibility to hook up all towing equipment per manufacturer's instructions/recommendations.**
4. Remove the attachment tabs when not in use (if applicable).

## Notice To Baseplate Installer

### 1. It is YOUR responsibility to watch for:

- Oil cooler and air conditioner lines
- Electrical wires and hoses
- Missing parts or attaching points on the frame

\*\* If the baseplate is improperly installed and is against a wire or hose, it could cause fluid leaks or electrical shorts some time after the actual baseplate installation.

## Permanent Baseplate Safety Cable Installation

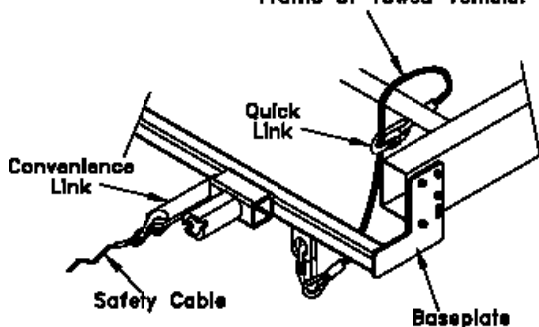
Permanent baseplate safety cables are strongly recommended when towing a vehicle with a tow bar. The principle function of the permanent baseplate safety cables is to prevent the towed vehicle from breaking loose in the event the connection between the frame of the towed vehicle and the baseplate fails or becomes disconnected. The cables must be connected from the baseplate to the frame rail or cross member of the vehicle's frame. The illustrations below show the possible arrangements recommended by Blue Ox®. Each permanent baseplate safety cable must have an adequate weight rating for the towing system. The weight rating of the two (2) cables together will not qualify.

***Do not mount the permanent baseplate safety cables against wires, hoses or brake lines.***

These permanent baseplate safety cables should remain installed as long as the baseplate is installed on the vehicle. Permanent baseplate safety cables are to be used in conjunction with, and NOT a replacement for legally required safety cables attaching the towed vehicle to the towing vehicle.

### OPTION #1

Permanent Baseplate Safety Cables to Cross Member or Frame of Towed Vehicle.



### OPTION #2

Permanent Baseplate Safety Cables to Cross Member or Frame of Towed Vehicle.

