



BX1949 Installation Instructions 1995-01 Dodge Ram 1500 1995-02 Dodge Ram 2500 and 3500

Serial No.

Strong As An Ox™ The metal bumper is removed for baseplate installation. Holes need to be drilled. The BX8869 is available for this vehicle. The attachment tabs are 24" center to center and 23 1/2" in height.



1. Mark the center of the bumper brackets on the opening.



3. To remove bumper bracket, use the 18MM socket. It will be necessary to remove bottom carriage bolt with a pry bar. Reinstall bumper brackets to vehicle and center baseplate on brackets, mark and drill holes with the 13/32" drill bit, both sides.



5. Using a clamp, hold lower support to cross member. Drill these holes with the 13/32" drill bit, both sides. Insert item 5 thru baseplate and cross member into item 4. Tighten items 7 and 8, according to drawing on last page.



2. Using the 18MM socket, remove the six metric bolts from bumper brackets while holding metal bumper and set bumper aside.



4. Hold baseplate to align with drilled holes and install items 2, 7, 8, and 13 loosely. **Be sure and use loctite on all bolts before tightening.**



6. Install item 3 using items 9, 10, 11, and 12 to bumper brackets existing hole, and tighten. Using the brace as a template, drill 13/32" hole and fasten with items 5, 6, 7, and 8, both sides. **Be sure and use loctite on all bolts before tightening.**



Strong As An Ox™



7. *Install metal bumpers upper carriage bolts and nuts to bracket using the 18MM socket, do **not** tighten.*
8. *Using the pry bar, reinstall lower carriage bolts and nuts with the 18MM socket, tighten all bolts. **Be sure and use loctite on all bolts before tightening.***
9. *The dimensional variations between otherwise identical cars can be considerable. While the location and size of the holes in the baseplate were designed to allow for easy installation, it may be necessary to file a hole slightly to allow a bolt to clear.*
10. *Install the tow bar and safety cables according to the instructions included in their packages.*
11. *Do **not** substitute other devices if the tow bar pin and clip are lost.*
12. **DEALER OR INSTALLER: BE CERTAIN THE USER RECEIVES THE INSTRUCTION SHEET.**

Tools Required

18MM Socket
9/16" Socket
3/4" Socket

Loctite Blue
Vise Grips

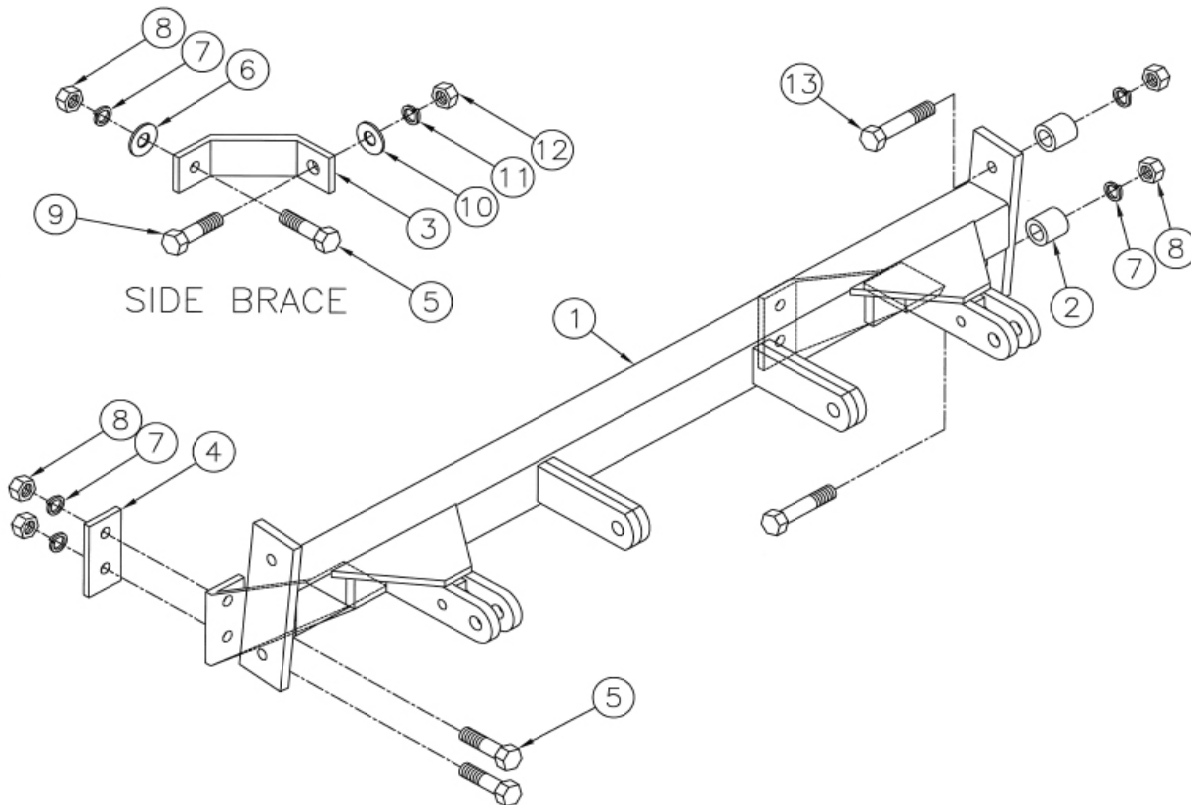
13/32" Drill Bit
Pry Bar



Strong As An Ox™

Parts List

Ref. No.	Qty.	Part No.	Description
1	1	61-5721	Weldment, Base Plate, BX1949
2	4	107-2445	Spacer Tube, BX1949
3	2	102-6213	Brace, BX1949
4	2	102-6212	Backing Plate, BX1949
5	6	201-0443	3/8-16 x 1 Hex Bolt, Grd. 5, ZP
6	2	203-0003	3/8 Flat Washer, ZP
7	10	203-0010	3/8 Lock Washer, ZP
8	10	202-0003	3/8-16 Hex Nut, ZP
9	2	201-0051	1/2-13 x 1 1/2 Hex Bolt, Grd. 5, ZP
10	2	203-0005	1/2 Flat Washer, ZP
11	2	203-0012	1/2 Lock Washer, ZP
12	2	202-0005	1/2-13 Hex Nut, ZP
13	4	201-0444	3/8-16 x 2 Hex Bolt, Grd. 5, ZP
	2	226-0049	Baseplate Safety Cable, 36" CL IV (Not Shown)
	4	229-0512	Quicklink, 1/2, ZP (Not Shown)



IMPORTANT: Use only genuine factory replacement parts on your Base Plate. Do not substitute homemade or nontypical parts. If a bolt is lost or in need of replacement, for your safety and the preservation of your Base Plate, be sure to use a replacement bolt of the same grade (Usually Grade 5, refer to parts list). Repair parts may be ordered through your nearest **Blue Ox** dealer or distributor.

General Information

1. Ensure that your product(s) are registered online at www.blueox.com. It is crucial to register your product(s) so that you may be alerted of product offerings, updates, upgrades, maintenance and safety bulletins, and/or recalls.
2. **It is the owner's responsibility to inspect all towing equipment for cracked welds, missing or worn parts and loose bolts before each towing trip.** Be sure to use Loctite® Red on all bolts and tighten to the recommended specifications.
3. **It is the owner's responsibility to hook up all towing equipment per manufacturer's instructions/recommendations.**
4. Remove the attachment tabs when not in use (if applicable).

Notice To Baseplate Installer

1. It is YOUR responsibility to watch for:

- Oil cooler and air conditioner lines
- Electrical wires and hoses
- Missing parts or attaching points on the frame

** If the baseplate is improperly installed and is against a wire or hose, it could cause fluid leaks or electrical shorts some time after the actual baseplate installation.

Permanent Baseplate Safety Cable Installation

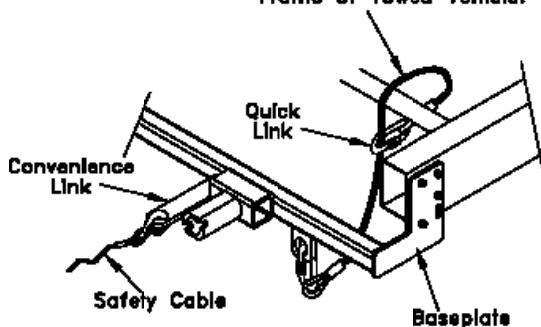
Permanent baseplate safety cables are strongly recommended when towing a vehicle with a tow bar. The principle function of the permanent baseplate safety cables is to prevent the towed vehicle from breaking loose in the event the connection between the frame of the towed vehicle and the baseplate fails or becomes disconnected. The cables must be connected from the baseplate to the frame rail or cross member of the vehicle's frame. The illustrations below show the possible arrangements recommended by Blue Ox®. Each permanent baseplate safety cable must have an adequate weight rating for the towing system. The weight rating of the two (2) cables together will not qualify.

Do not mount the permanent baseplate safety cables against wires, hoses or brake lines.

These permanent baseplate safety cables should remain installed as long as the baseplate is installed on the vehicle. Permanent baseplate safety cables are to be used in conjunction with, and NOT a replacement for legally required safety cables attaching the towed vehicle to the towing vehicle.

OPTION #1

Permanent Baseplate Safety Cables to Cross Member or Frame of Towed Vehicle.



OPTION #2

Permanent Baseplate Safety Cables to Cross Member or Frame of Towed Vehicle.

