



Strong As An Ox™

## BX1961 Installation Instructions 2003 Dodge Neon SXT

Serial No.

The headlight assembly, front fascia, horn bracket and air baffle are removed for baseplate installation. Drilling is required. No trimming needed to fascia. The BX8869 is available for the vehicle. Attachment Tabs are 20 inches center to center and a height of 14 inches.



1. Remove three metric bolts from the top edge of fascia with the 8MM socket.



2. Just forward of front tires are two torx screws to remove with the T-25 torx, both sides.



3. Forward of the front tire, inside wheel well, are three metric bolts to remove with the 10MM socket, both sides.



4. Remove three metric bolts from the lower edge of fascia with the 8MM socket, pull fascia forward and set aside.



5. Remove two metric bolts just behind and on top of headlight assembly with the 8MM socket, pull forward, unplug and set aside, both sides.



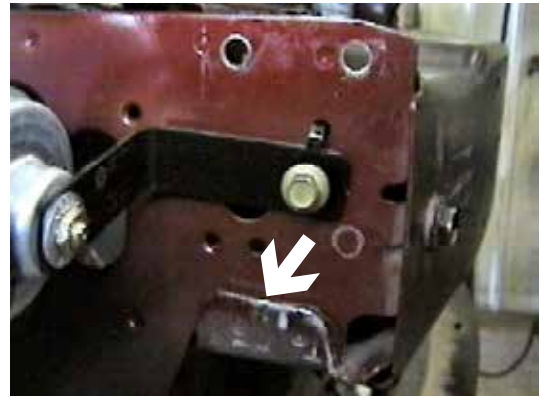
6. Remove two metric bolts from air baffle on driver's side with 10MM socket. Disconnect tube in the back, lift slightly, push to the back to relieve support pin and set aside.



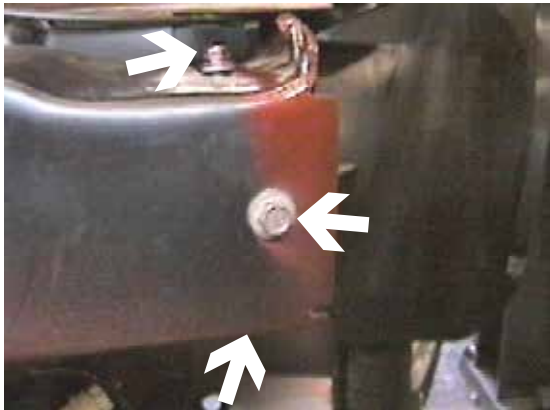
Strong As An Ox™



7. Using the 10MM socket, remove metric bolt from horn bracket and relocate to existing threaded hole, as shown in photo on step 13.



8. Bend webbing up and flat with frame, as shown on photo, using the vise grips or hammer.



9. Using the 13MM socket, remove six metric bolts on metal bumper, pull forward and set aside.



10. Remove nut clip from the inside of frame end, both sides. Reinstall metal bumper. Do not install lower bolt on the bottom of metal bumper.



11. Secure baseplate to the bottom of metal bumper with clamps on both sides, slide baseplate back to ribbing on front edge of lower frame and up as far as possible. Drill all three holes on the side and the two on the bottom of the frame rail, with the 13/32" drill bit, both sides.



Strong As An Ox™



- 12.** Insert nut plate into opening just behind baseplate on frame sides to align with drilled holes on the bottom of baseplate ends, tighten 3/8" bolt and lock washer, according to drawing on page 4, both sides. **Be sure to use loctite on all bolts before tightening. Tighten all bolts according to Torque Chart in General Instruction Sheet.**
- 13.** Insert nut plate into opening just behind baseplate on frame sides to align with drilled holes on the side of baseplate ends, tighten 3/8" bolt and lock washer, according to drawing on page 4, both sides. **Be sure to use loctite on all bolts before tightening. Tighten all bolts according to Torque Chart in General Instruction Sheet.**
- 14.** Reinstall air baffle on driver's side, headlight assemblies and fascia. Be sure all electrical connections are plugged in properly.
- 15.** The dimensional variations between otherwise identical cars can be considerable. While the location and size of the holes in the baseplate were designed to allow for easy installation, it may be necessary to file a hole slightly to allow a bolt to clear.
- 16.** Install the tow bar and safety cables according to the instructions included in their packages.
- 17.** Do **not** substitute other devices if the tow bar pin and clip are lost.
- 18. DEALER OR INSTALLER: BE CERTAIN THE USER RECEIVES THE INSTRUCTION SHEET.**

### Tools Required

8MM Socket  
T-25 Torx  
Vise Grips

10MM Socket  
Loctite  
9/16" Socket

13MM Socket  
13/32" Drill Bit



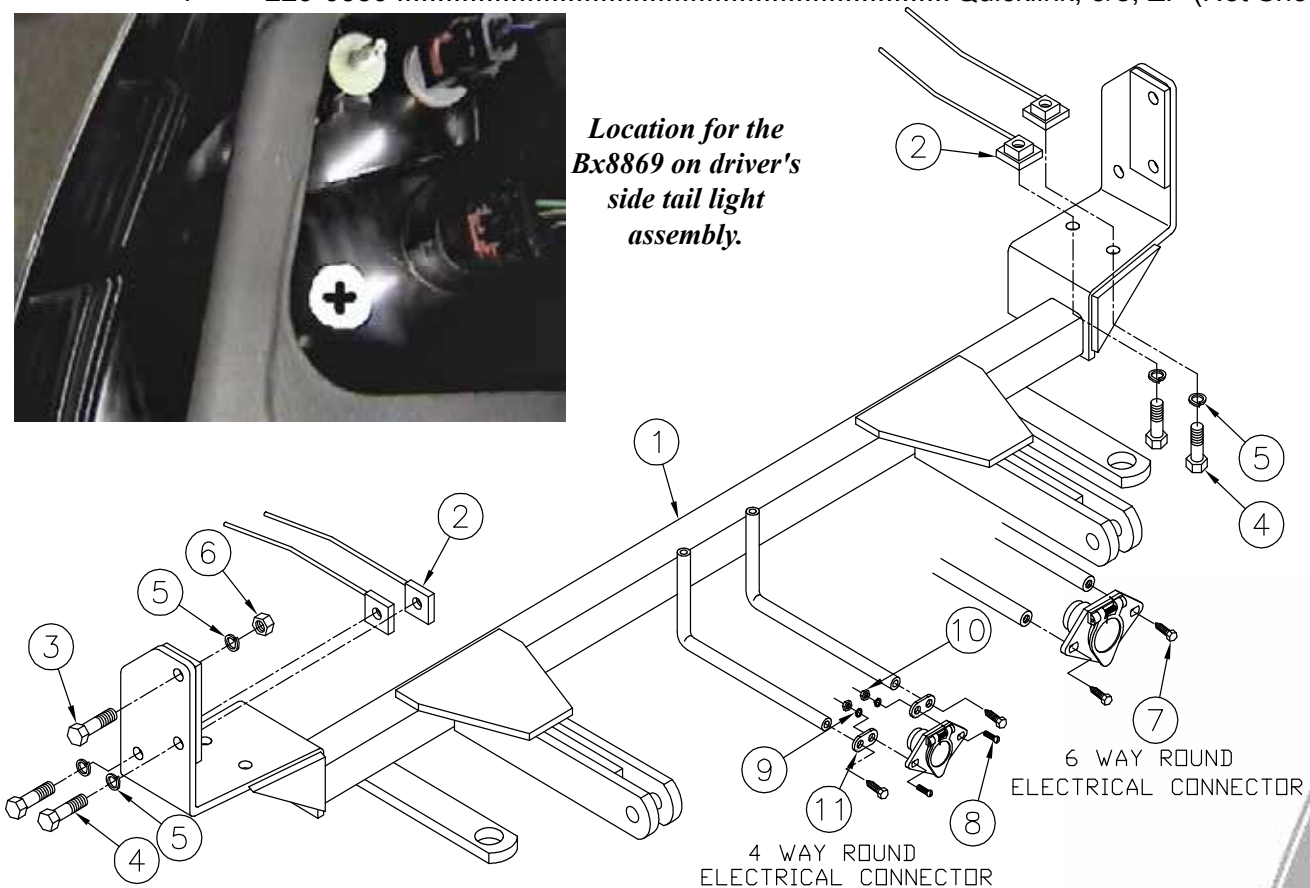
Strong As An Ox™

### Parts List

Ref. No.	Qty.	Part No.	Description
1	1	61-5923	Weldment, Base Plate, BX1961
2	8	61-5208	3/8" Nut Plate, with Wire
3	2	201-0443	3/8-16 x 1 Bolt, Grd. 5, ZP
4	8	201-0440	3/8-16 x 1 1/2 Bolt, Grd. 5, ZP
5	10	203-0010	3/8 Lock Washer, ZP
6	2	202-0003	3/8-16 Hex Nut, ZP
7	2	201-0979	#12-14 x 1" Self Drilling Screw, ZP
8	2	201-0192	#10-32 x 1/2 Slot, Rd. Hd. Screw
9	2	203-0054	#10 Lock Washer
10	2	202-0047	#10-32 Hex Nut
11	2	101-5822	Adapter, 4 Way Connector
	2	226-0046	Baseplate Safety Cable, 36" CL III (Not Shown)
	4	229-0359	Quicklink, 3/8, ZP (Not Shown)



*Location for the Bx8869 on driver's side tail light assembly.*



**IMPORTANT:** Use only genuine factory replacement parts on your Base Plate. Do not substitute homemade or nontypical parts. If a bolt is lost or in need of replacement, for your safety and the preservation of your Base Plate, be sure to use a replacement bolt of the same grade (Usually Grade 5, refer to parts list). Repair parts may be ordered through your nearest **Blue Ox** dealer or distributor.



# General Information

1. Ensure that your product(s) are registered online at [www.blueox.com](http://www.blueox.com). It is crucial to register your product(s) so that you may be alerted of product offerings, updates, upgrades, maintenance and safety bulletins, and/or recalls.
2. **It is the owner's responsibility to inspect all towing equipment for cracked welds, missing or worn parts and loose bolts before each towing trip.** Be sure to use Loctite® Red on all bolts and tighten to the recommended specifications.
3. **It is the owner's responsibility to hook up all towing equipment per manufacturer's instructions/recommendations.**
4. Remove the attachment tabs when not in use (if applicable).

## Notice To Baseplate Installer

### 1. It is YOUR responsibility to watch for:

- Oil cooler and air conditioner lines
- Electrical wires and hoses
- Missing parts or attaching points on the frame

\*\* If the baseplate is improperly installed and is against a wire or hose, it could cause fluid leaks or electrical shorts some time after the actual baseplate installation.

## Permanent Baseplate Safety Cable Installation

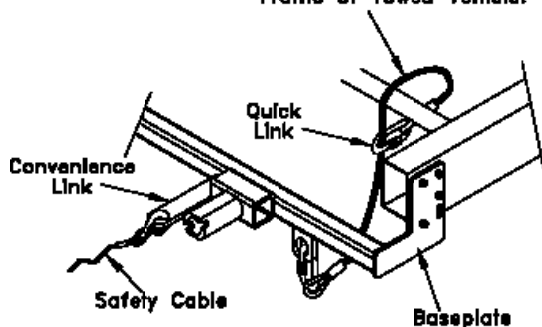
Permanent baseplate safety cables are strongly recommended when towing a vehicle with a tow bar. The principle function of the permanent baseplate safety cables is to prevent the towed vehicle from breaking loose in the event the connection between the frame of the towed vehicle and the baseplate fails or becomes disconnected. The cables must be connected from the baseplate to the frame rail or cross member of the vehicle's frame. The illustrations below show the possible arrangements recommended by Blue Ox®. Each permanent baseplate safety cable must have an adequate weight rating for the towing system. The weight rating of the two (2) cables together will not qualify.

***Do not mount the permanent baseplate safety cables against wires, hoses or brake lines.***

These permanent baseplate safety cables should remain installed as long as the baseplate is installed on the vehicle. Permanent baseplate safety cables are to be used in conjunction with, and NOT a replacement for legally required safety cables attaching the towed vehicle to the towing vehicle.

### OPTION #1

Permanent Baseplate Safety Cables to Cross Member or Frame of Towed Vehicle.



### OPTION #2

Permanent Baseplate Safety Cables to Cross Member or Frame of Towed Vehicle.

