



Strong As An Ox™

BX2164 Installation Instructions 1992-'96 Ford F-150

Serial No.

No drilling required. The BX8869 is available for the vehicle. Attachment Tabs are 24 inches center to center and a height of 19 inches.



1. Remove forward metric bolt from cross member, on the bottom of frame, with the 13MM socket and remove nut clip from cross member, both sides.



2. While holding bumper in place, remove two metric nuts from the back side of bumper, using the 21MM socket, both sides.



3. Align item 1 with the existing bolts on the back side of the metal bumper and snug existing nuts in place. **Be sure and use loctite on all bolts before tightening. Tighten all bolts according to torque chart in the General Instruction Sheet.**



4. Install items 2, 3, 4 and 5, both sides, according to drawing on last page. Return metal bumper to its original position and tighten all bolts. **Be sure and use loctite on all bolts before tightening. Tighten all bolts according to torque chart in the General Instruction Sheet.**

5. The dimensional variations between otherwise identical cars can be considerable. While the location and size of the holes in the baseplate were designed to allow for easy installation, it may be necessary to file a hole slightly to allow a bolt to clear.

6. Install the tow bar and safety cables according to the instructions included in their packages.

7. Do **not** substitute other devices if the tow bar pin and clip are lost.

8. **DEALER OR INSTALLER: BE CERTAIN THE USER RECEIVES THE INSTRUCTION SHEET.**



Strong As An Ox™

Tools Required

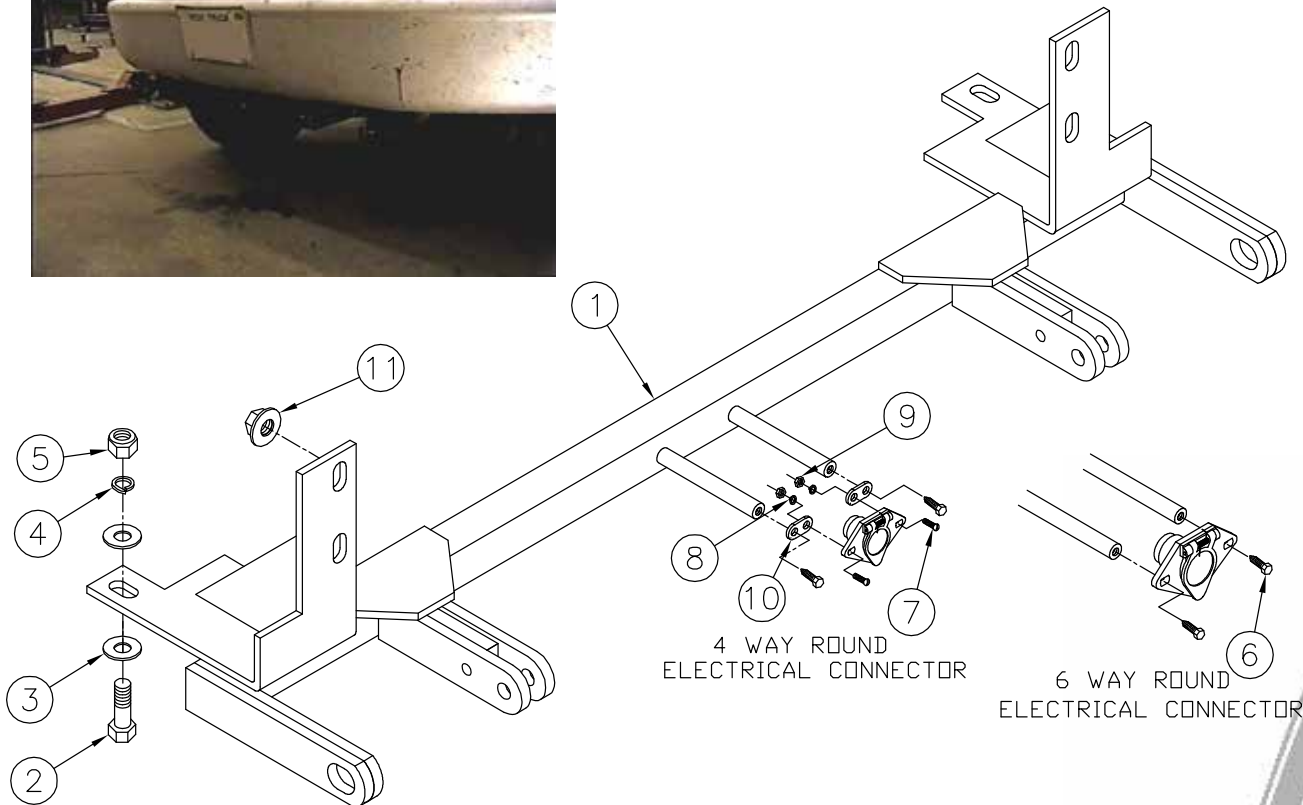
11/16" Socket
5/8" Socket

Loctite
Tape Measure

13MM Socket
21MM Socket

Parts List

| Ref. No. | Qty. | Part No. | Description |
|----------|------|----------|---|
| 1 | 1 | 61-5827 | Weldment, Base Plate, BX2164 |
| 2 | 2 | 201-0416 | 7/16-14 x 1 1/2 Bolt, Grd. 5, ZP |
| 3 | 4 | 203-0004 | 7/16 Flat Washer, ZP |
| 4 | 2 | 203-0011 | 7/16 Lock Washer, ZP |
| 5 | 2 | 202-0004 | 7/16-14 Hex Nut, ZP |
| 6 | 2 | 201-0979 | #12-14 x 1" Self Drilling Screw, ZP |
| 7 | 2 | 201-0192 | #10-32 x 1/2 Slot, Rd. Hd. Screw |
| 8 | 2 | 203-0054 | #10 Lock Washer |
| 9 | 2 | 202-0047 | #10-32 Hex Nut |
| 10 | 2 | 101-5822 | Adapter, 4 Way Connector |
| 11 | 4 | | Existing Metric Hex Nut |
| | 2 | 226-0049 | Baseplate Safety Cable, 36" CL IV (Not Shown) |
| | 4 | 229-0512 | Quicklink, 1/2, ZP (Not Shown) |



IMPORTANT: Use only genuine factory replacement parts on your Base Plate. Do not substitute homemade or nontypical parts. If a bolt is lost or in need of replacement, for your safety and the preservation of your Base Plate, be sure to use a replacement bolt of the same grade (Usually Grade 5, refer to parts list). Repair parts may be ordered through your nearest **Blue Ox** dealer or distributor.

General Information

1. Ensure that your product(s) are registered online at www.blueox.com. It is crucial to register your product(s) so that you may be alerted of product offerings, updates, upgrades, maintenance and safety bulletins, and/or recalls.
2. **It is the owner's responsibility to inspect all towing equipment for cracked welds, missing or worn parts and loose bolts before each towing trip.** Be sure to use Loctite® Red on all bolts and tighten to the recommended specifications.
3. **It is the owner's responsibility to hook up all towing equipment per manufacturer's instructions/recommendations.**
4. Remove the attachment tabs when not in use (if applicable).

Notice To Baseplate Installer

1. It is YOUR responsibility to watch for:

- Oil cooler and air conditioner lines
- Electrical wires and hoses
- Missing parts or attaching points on the frame

** If the baseplate is improperly installed and is against a wire or hose, it could cause fluid leaks or electrical shorts some time after the actual baseplate installation.

Permanent Baseplate Safety Cable Installation

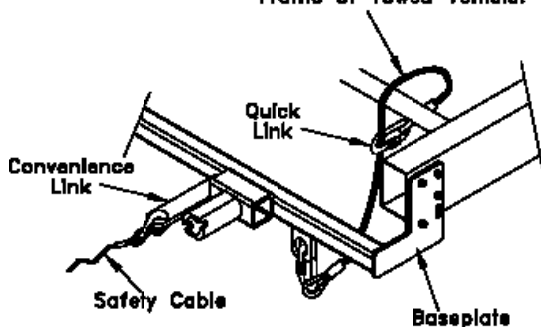
Permanent baseplate safety cables are strongly recommended when towing a vehicle with a tow bar. The principle function of the permanent baseplate safety cables is to prevent the towed vehicle from breaking loose in the event the connection between the frame of the towed vehicle and the baseplate fails or becomes disconnected. The cables must be connected from the baseplate to the frame rail or cross member of the vehicle's frame. The illustrations below show the possible arrangements recommended by Blue Ox®. Each permanent baseplate safety cable must have an adequate weight rating for the towing system. The weight rating of the two (2) cables together will not qualify.

Do not mount the permanent baseplate safety cables against wires, hoses or brake lines.

These permanent baseplate safety cables should remain installed as long as the baseplate is installed on the vehicle. Permanent baseplate safety cables are to be used in conjunction with, and NOT a replacement for legally required safety cables attaching the towed vehicle to the towing vehicle.

OPTION #1

Permanent Baseplate Safety Cables to Cross Member or Frame of Towed Vehicle.



OPTION #2

Permanent Baseplate Safety Cables to Cross Member or Frame of Towed Vehicle.

