



BX3732 Installation Instructions 1998-00 Toyota Tacoma 2WD

Utilization of Blue Ox baseplates with any tow bar not approved by Automatic Equipment Mfg. Company invalidates the limited warranty.

Installation of this baseplate requires removing the vehicle's bumper.

1. Read the General Instruction Sheet included with this baseplate.
2. The bumper must be removed to install the baseplate. There are eight (8) fasteners that mount the bumper to the vehicle. Before starting to remove the bumper take three or four measurements between the bumper and the body, so you can replace the bumper in the proper position.
3. On the bottom edge of the bumper there are two (2) plastic rivets use a small phillips screwdriver to unscrew the center of the rivets and then pull the rivets out of their holes. In each fender well there is a bolt facing rearward. Use a 12mm socket to remove these bolts. There are two (2) bolts on each side that bolt the bumper to the frame. Use a 14mm wrench to remove these bolts. Unplug the lights in the outside corners of the bumper. The bumper can now be removed from the pickup.
4. On the top and outside ends of the frame there are 1/2" holes. The baseplate is mounted on the top of the frame, the holes in the baseplate will match the holes in the top and side of the frame. There are nut wires supplied to go inside the frame tube. Access for the nut wires can be found on the inside of the frame near the radiator. There is a rectangular opening which will give you a tight fit for the supplied nuts.
5. Apply Loctite and start the bolts as shown in the parts drawing. The thick washer on top is meant to keep the main tube from collapsing as the bolt is tightened. When all bolts are started, tighten completely.
6. Replace the bumper by reversing the steps to remove it. Test the lights to make sure they are working properly.
7. The dimensional variations between otherwise identical cars can be considerable. While the location and size of the holes in the baseplate were designed to allow for easy installation, it may be necessary to file a hole slightly to allow a bolt to clear.
8. Install the tow bar and safety cables according to the instructions included in their packages.
9. Do not substitute other devices if the tow bar pin and clip are lost.
10. DEALER OR INSTALLER: BE CERTAIN THE USER RECEIVES THE INSTRUCTION SHEET.

Tools Required

12mm Socket
Phillips Screwdriver

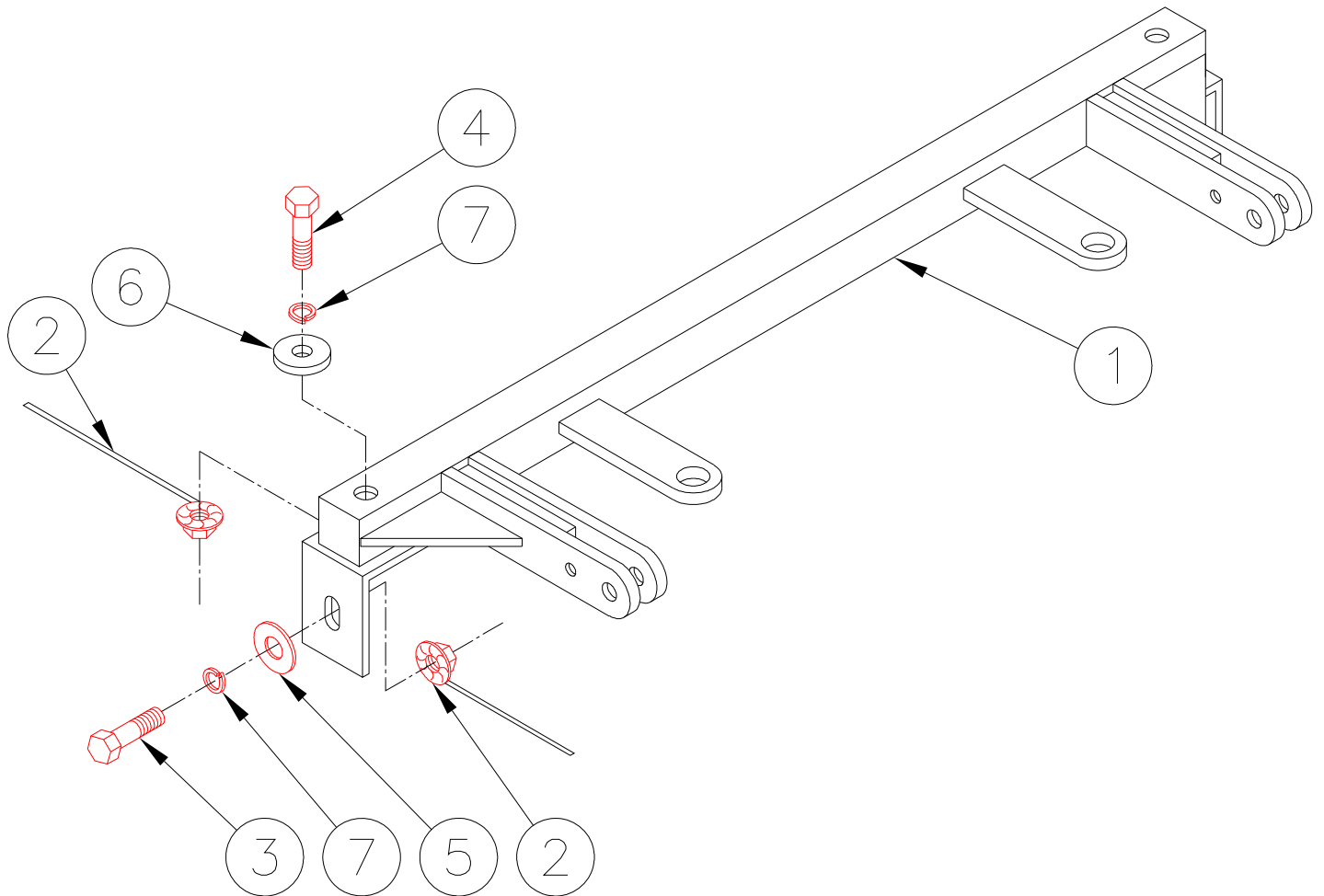
14mm Socket
Loctite Blue

3/4" Wrench

Automatic

Parts List

Ref. No.	Qty.	Part No.	Description
1	1	61-5152	Baseplate Weldment
2	4	61-4029	1/2" Wire Nut
3	2	201-0051	1/2-13 x 1 1/2" Hex Head Bolt, Grade 5
4	2	201-0490	1/2-13 x 3 Hex Head Bolt, Grade 5
5	2	203-0005	1/2" Flat Washer
6	2	203-0127	Washer, 1.5 OD x 1/2" ID x 1/4"
7	4	203-0012	1/2" Lock Washer



General Information

1. Ensure that your product(s) are registered online at www.blueox.com. It is crucial to register your product(s) so that you may be alerted of product offerings, updates, upgrades, maintenance and safety bulletins, and/or recalls.
2. **It is the owner's responsibility to inspect all towing equipment for cracked welds, missing or worn parts and loose bolts before each towing trip.** Be sure to use Loctite® Red on all bolts and tighten to the recommended specifications.
3. **It is the owner's responsibility to hook up all towing equipment per manufacturer's instructions/recommendations.**
4. Remove the attachment tabs when not in use (if applicable).

Notice To Baseplate Installer

1. It is YOUR responsibility to watch for:

- Oil cooler and air conditioner lines
- Electrical wires and hoses
- Missing parts or attaching points on the frame

** If the baseplate is improperly installed and is against a wire or hose, it could cause fluid leaks or electrical shorts some time after the actual baseplate installation.

Permanent Baseplate Safety Cable Installation

Permanent baseplate safety cables are strongly recommended when towing a vehicle with a tow bar. The principle function of the permanent baseplate safety cables is to prevent the towed vehicle from breaking loose in the event the connection between the frame of the towed vehicle and the baseplate fails or becomes disconnected. The cables must be connected from the baseplate to the frame rail or cross member of the vehicle's frame. The illustrations below show the possible arrangements recommended by Blue Ox®. Each permanent baseplate safety cable must have an adequate weight rating for the towing system. The weight rating of the two (2) cables together will not qualify.

Do not mount the permanent baseplate safety cables against wires, hoses or brake lines.

These permanent baseplate safety cables should remain installed as long as the baseplate is installed on the vehicle. Permanent baseplate safety cables are to be used in conjunction with, and NOT a replacement for legally required safety cables attaching the towed vehicle to the towing vehicle.

OPTION #1

Permanent Baseplate Safety Cables to Cross Member or Frame of Towed Vehicle.



OPTION #2

Permanent Baseplate Safety Cables to Cross Member or Frame of Towed Vehicle.

