

Please read **BOTH** these Installation Instructions and the General Instructions before attempting to install or operate this equipment.

- Blue Ox® towing products and accessories are intended to be installed by Blue Ox® Dealers who are familiar with our products and have the equipment necessary and knowledge to do "fit work". When necessary Blue Ox® Dealers can be found at [www.blueox.us](http://www.blueox.us) or by contacting our 24/7 Customer Care Department at (402) 385-3051.
- Many Blue Ox® Baseplates are designed to use existing holes and hardware to mount the baseplate to the towed vehicle. Even though bolts are there, do not assume they are adequate for baseplate mounting. Always use hardware supplied in the hardware kit and existing hardware specified in the Baseplate Installation Instructions.

Attachment Tab Height: 14.5"

Attachment Tab Width: 18"

### Bolt Torque Specifications

Torque in Foot-Pounds per Metric Bolts

Bolt Size	Grade 8.8	Grade 10.9
6MM	6	8
8MM	16	22
10MM	31	40
12MM	54	70
14MM	89	117

Confirm the towability and pre-towing procedures for your vehicle with the owner's manual or contact the vehicle's manufacturer for specific towing procedures. You can also contact REMCO for additional information at 1(800)228-2481.

### Bolt Torque Specifications

Torque in Foot-Pounds per Inch Bolts

Bolt Size	Grade 5	Grade 8
1/4"	10	14
5/16"	19	29
3/8"	33	47
7/16"	54	78
1/2"	78	119
5/8"	154	230



### WARNING

Failure to read and follow these instructions could result in separation of the towed vehicle from the tow bar, causing property damage, loss of towed vehicle, personal injury or death.

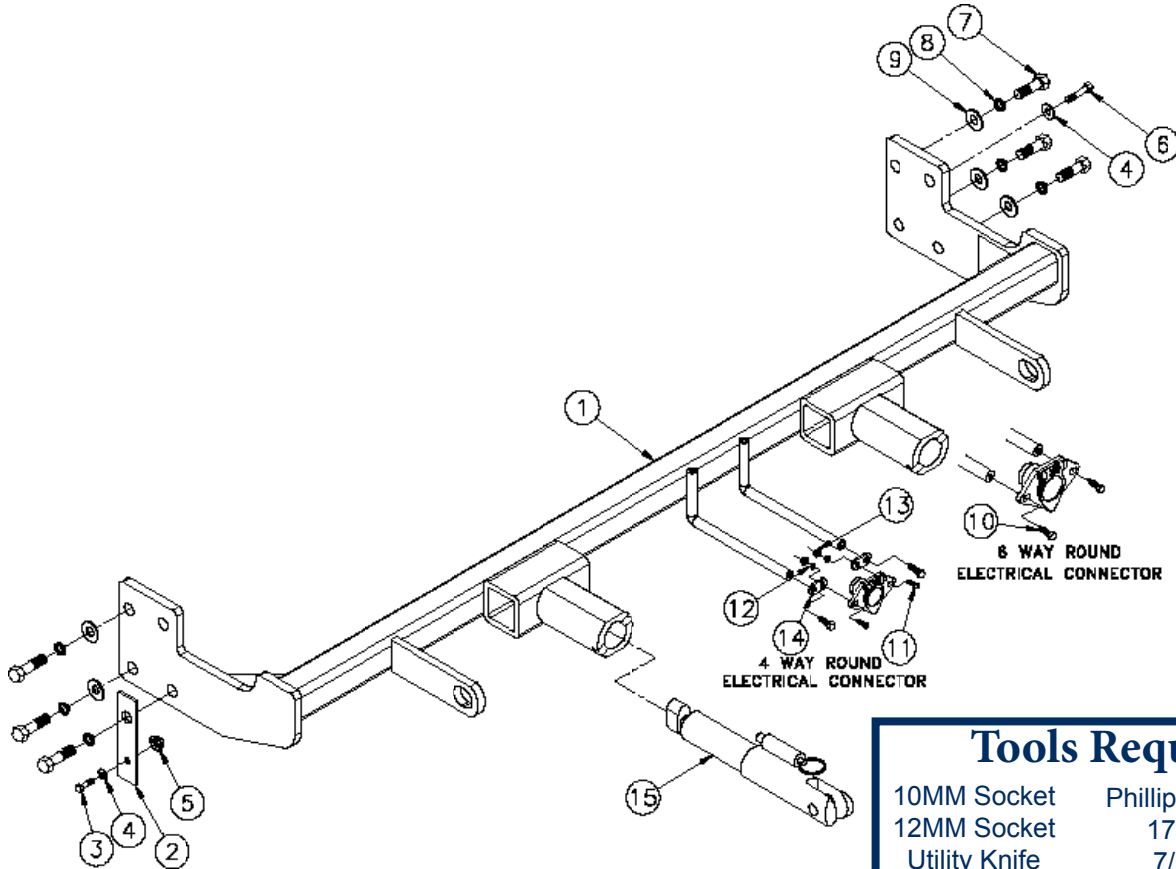
# BX1837

## 2005 Nissan Altima

### Installation Instructions

### Parts List

Ref. No.	Qty.	Part #	Description
1	1	61-6162	Weldment, Baseplate, BX1837
2	1	102-6267	Flat, 1/8" x 1" x 4 1/8"
3	1	201-0071	1/4-20 x 1" Bolt, Grade 5, ZP
4	2	203-0001	1/4" Flat Washer, ZP
5	1	202-0069	1/4-20 Hex Nut, Whiz Lock, ZP
6	1	201-0702	6MM-1.0x45MM, Hex Bolt, Grade 8.8, ZP
7	6	201-0423	10MM-1.25x35MM, Hex Bolt, Grade 8.8, ZP
8	6	203-0104	10MM Lock Washer, ZP
9	6	203-0003	3/8" Flat Washer, ZP
10	2	201-0979	#12-14 X 1" Self Drilling Screw, ZP
11	2	201-0192	#10-32 x 1/2" Slot, Rd. Hd. Screw
12	2	203-0054	#10 Lock Washer
13	2	202-0047	#10-32 Hex Nut
14	2	101-5822	Adapter, 4 Way Connector
15	2	62-3469	Attachment Tab, SF/LB, ZP
	2	226-0046	Baseplate Safety Cable, 36" CL III (Not Shown)
	2	229-0359	Quicklink, 3/8, ZP (Not Shown)
	2	290-0437	Cap Plug, Black (Not Shown)



### Tools Required

- |               |                       |
|---------------|-----------------------|
| 10MM Socket   | Phillips Screw Driver |
| 12MM Socket   | 17MM Socket           |
| Utility Knife | 7/16" Socket          |
| 14MM Socket   | Reciprocating Saw     |
| Loctite® RED  | Hammer                |

### Important:

Use only genuine factory replacement parts on your baseplate. Do **NOT** substitute homemade or non-typical parts. If a bolt is lost or in need of replacement, for your safety and the preservation of your baseplate, be sure to use a replacement bolt of the same grade (In most cases it will be Grade 5, please reference the parts list above). Replacement parts may be ordered through your nearest Blue Ox® Dealer or Distributor, or call our 24/7 Customer Care Team at (402)385-3051.

# BX1837

## 2005 Nissan Altima

### Installation Instructions

#### Attachment Tabs:

Motorhome mount tow bars are recommended for use with this baseplate. Due to the design of the removable tabs, the RangeFinder II, Adventurer, and Ambassador tow bars can not be used. The Acclaim tow bar may be used, but will not fold and store on the front of the vehicle. Adapters, except the BX8833 and BX88151, can not be used with this baseplate.

#### Instructions:

The front fascia, air baffle and windshield washer reservoir are removed for the baseplate installation.

The dimensional variations between otherwise identical vehicles can be considerable. While the baseplate was designed for easy installation, it may be necessary to tailor the baseplate slightly to compensate for auto manufacturer's tolerances. These minor adjustments may include filing a hole slightly, bending electrical rods, and/ or bending end plates.

The Bx8869 Bulb and Socket Wiring Kit is recommended for this vehicle.



1. Remove four push pins from the top of the front fascia and set aside to be re-installed later. This is done all along the top of the front fascia, the driver's side is shown.



2. On the underside edge of the front fascia remove two Phillips screws. Set aside to be re-installed later. This will need to be done to both sides of the vehicle, the driver's side is shown.



3. On the underside of the front fascia there are five push pins that need to be removed as indicated by the arrows in the picture. Set these aside as they will be re-installed later.

# BX1837

## 2005 Nissan Altima

### Installation Instructions



- Using a 10MM Socket, remove two metric bolts from the inside of the wheel well, just forward of the front tires, and set aside to be re-installed later. This is done on both sides of the vehicle, the driver's side is shown. Pull the front fascia forward and carefully set it aside.



- Using a 14MM Socket, remove the three metric bolts from the tie-down bracket (see white arrows in photo). This will be done to both sides, the driver's side is shown. On the driver's side remove one bolt from the air baffle using the 10MM Socket (see grey arrow in photo).



- Remove the three metric bolts from the windshield washer reservoir with a 10MM Socket. Release the two wire clips, then disconnect and plug the hose and electrical wires. Set all aside to be re-installed later.

BX1837  
2005 Nissan Altima  
Installation Instructions



7. Using a reciprocating saw, cut the black plastic under the frame extension bolt horizontally from the outside edge to the frame rail and bend the plastic forward. Finish removing the black plastic by cutting along the bend (white arrow shows trim). The grey arrow shows the webbing which must be bent flush with the frame rail. This is done on both sides of the vehicle, passenger's side is shown.

**\*\*BE SURE TO USE LOCTITE® RED ON ALL BOLTS BEFORE TIGHTENING. TIGHTEN ALL BOLTS ACCORDING TO THE TORQUE CHART ON PAGE 1 OF THESE INSTRUCTIONS OR ON PAGE 3 OF THE BASEPLATE TOWING GENERAL INSTRUCTIONS.**

**Baseplate is painted white for illustrative purposes ONLY. The actual baseplate has a black Powder coat finish.**



8. On the side of the frame rail extension, behind the bumper, trim a V notch 3/4" back and angled forward to the back side of the front webbing.



9. Using a hammer, bend the front piece of the frame webbing toward the radiator to relieve the area for baseplate installation.

# BX1837

## 2005 Nissan Altima

### Installation Instructions



10. On the driver's side, align the baseplate with the tie down bracket holes and fasten it to the frame rail with the 10MM-1.25 x 35MM Hex Bolts, 10MM Lock Washers, and the 3/8 Flat Washers. Do NOT tighten the bolts completely.



11. On the passenger's side, align the baseplate to the three tie-down bracket holes. Install the two rear 10MM-1.25x35MM Hex Bolts, 10MM Lock Washers and the 3/8 Flat Washers. Insure baseplate attachment tabs are parallel with the ground and the front tie-down bracket hole on the passenger's side is still aligned. Tighten ALL 5 bolts.

12. Re-install the air baffle on the driver's side (see white arrow in photo #10).
13. Using the 10MM-1.25 x 35MM Hex Bolt, 10MM Lock Washer, and the 3/8 Flat Washer, install the 1/8" x 1 x 4 1/8" Flat to the front tie-down bracket hole and hand tighten. (See photo 11)
14. Re-install washer reservoir with the two existing back metric bolts and align the front metric bolt with lower hole in flat. Insert the 1/4-20 x 1 Hex Bolt, 1/4" Flat Washer into front washer reservoir hole and tighten 1/4-20 Hex Nut on the back side of flat. Tighten front baseplate 10MM-1.25 Hex Bolt, according to the torque chart on page 1.
15. Reinstall front fascia according to the instructions on the previous pages (Steps 1-6).
16. Install the tow bar and safety cables according to the instructions when demonstrating this to the customer. Be sure to include all the contents and packages of their Blue Ox products.
17. **DO NOT** substitute other devices if the tow bar pins and clips are misplaced.

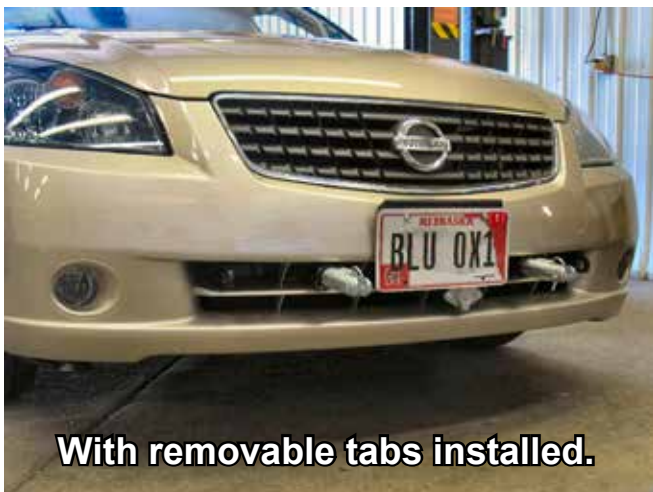
**Be sure that ALL electrical connections are plugged in properly and functioning BEFORE Installing the fascia.**

**DEALER or INSTALLER:  
Be certain the user receives the instructions sheets for their products.**

# BX1837

## 2005 Nissan Altima

### Installation Instructions



## Customer Service Commitment

Blue Ox® is focused on providing exemplary customer service, as observed in our mission statement and guiding principles. In accordance with this objective, Blue Ox® is proud to provide services such as repairs and general maintenance of Blue Ox® products at over 150 RV Rallies. Look for our Destination America or Blue Ox® Racing service crews at the next rally or race that you attend. If you were not present, you will find an informative, personalized note explaining any services that may have been performed to your Blue Ox® products.

Blue Ox® also offers educational seminars at rallies and through our Park and Resort teams. In addition, Blue Ox® customers visiting our factory may take advantage of the well-equipped Blue Ox® RV park at no charge to you, our valued and appreciated customer.



© 2005 Blue Ox  
One Mill Road, Industrial Park  
Pender, Nebraska 68047  
Phone: (402) 385-3051  
Fax: (402) 385-3360  
[www.blueox.us](http://www.blueox.us)  
7/15/08

# General Information

1. Ensure that your product(s) are registered online at [www.blueox.com](http://www.blueox.com). It is crucial to register your product(s) so that you may be alerted of product offerings, updates, upgrades, maintenance and safety bulletins, and/or recalls.
2. **It is the owner's responsibility to inspect all towing equipment for cracked welds, missing or worn parts and loose bolts before each towing trip.** Be sure to use Loctite® Red on all bolts and tighten to the recommended specifications.
3. **It is the owner's responsibility to hook up all towing equipment per manufacturer's instructions/recommendations.**
4. Remove the attachment tabs when not in use (if applicable).

## Notice To Baseplate Installer

### 1. It is YOUR responsibility to watch for:

- Oil cooler and air conditioner lines
- Electrical wires and hoses
- Missing parts or attaching points on the frame

\*\* If the baseplate is improperly installed and is against a wire or hose, it could cause fluid leaks or electrical shorts some time after the actual baseplate installation.

## Permanent Baseplate Safety Cable Installation

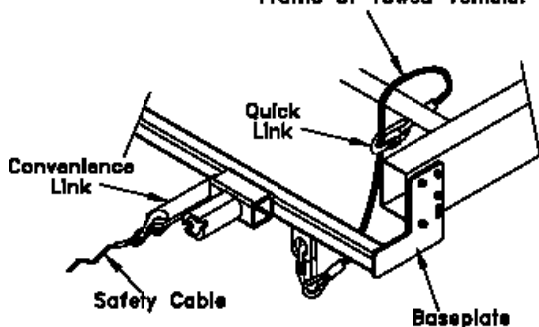
Permanent baseplate safety cables are strongly recommended when towing a vehicle with a tow bar. The principle function of the permanent baseplate safety cables is to prevent the towed vehicle from breaking loose in the event the connection between the frame of the towed vehicle and the baseplate fails or becomes disconnected. The cables must be connected from the baseplate to the frame rail or cross member of the vehicle's frame. The illustrations below show the possible arrangements recommended by Blue Ox®. Each permanent baseplate safety cable must have an adequate weight rating for the towing system. The weight rating of the two (2) cables together will not qualify.

***Do not mount the permanent baseplate safety cables against wires, hoses or brake lines.***

These permanent baseplate safety cables should remain installed as long as the baseplate is installed on the vehicle. Permanent baseplate safety cables are to be used in conjunction with, and NOT a replacement for legally required safety cables attaching the towed vehicle to the towing vehicle.

### OPTION #1

Permanent Baseplate Safety Cables to Cross Member or Frame of Towed Vehicle.



### OPTION #2

Permanent Baseplate Safety Cables to Cross Member or Frame of Towed Vehicle.

