

Serial Number

Please read BOTH these Installation Instructions and the General Towing Instructions before attempting to install or operate this equipment.

- Blue Ox® towing products and accessories are intended to be installed by Blue Ox® Dealers who are familiar with our products and have the equipment and knowledge to do “fit work”. When necessary, Blue Ox® Dealers can be found at [www.blueox.com](http://www.blueox.com) or by contacting our Customer Care Department at (402) 385-3051.
- Many Blue Ox® Baseplates are designed to use existing holes and hardware to mount the baseplate to the towed vehicle. Even though bolts are there, do not assume they are adequate for baseplate mounting. Always use hardware supplied in the hardware kit or existing hardware specified in the Baseplate Installation Instructions.

Attachment Tab Height: 17 1/2”  
Attachment Tab Width: 18”

### Bolt Torque Specifications

Torque in Foot-Pounds for Metric Bolts

Bolt Size	Grade 8.8	Grade 10.9
6MM	6	8
8MM	16	22
10MM	31	40
12MM	54	70
14MM	89	117

Confirm the towability and pre-towing procedures for your vehicle with the owner’s manual or contact the vehicle’s manufacturer for specific towing procedures.

### Bolt Torque Specifications

Torque in Foot-Pounds for Inch Bolts

Bolt Size	Grade 5	Grade 8
1/4”	10	14
5/16”	19	29
3/8”	33	47
7/16”	54	78
1/2”	78	119
5/8”	154	230



If the front of your vehicle looks different than this, call us at (402) 385-3051.

## ⚠ WARNING

Failure to read and follow these instructions could result in separation of the towed vehicle from the tow bar, causing property damage, loss of towed vehicle, personal injury or death.

BX2183

# 2006-07 Mercury Mariner Hybrid

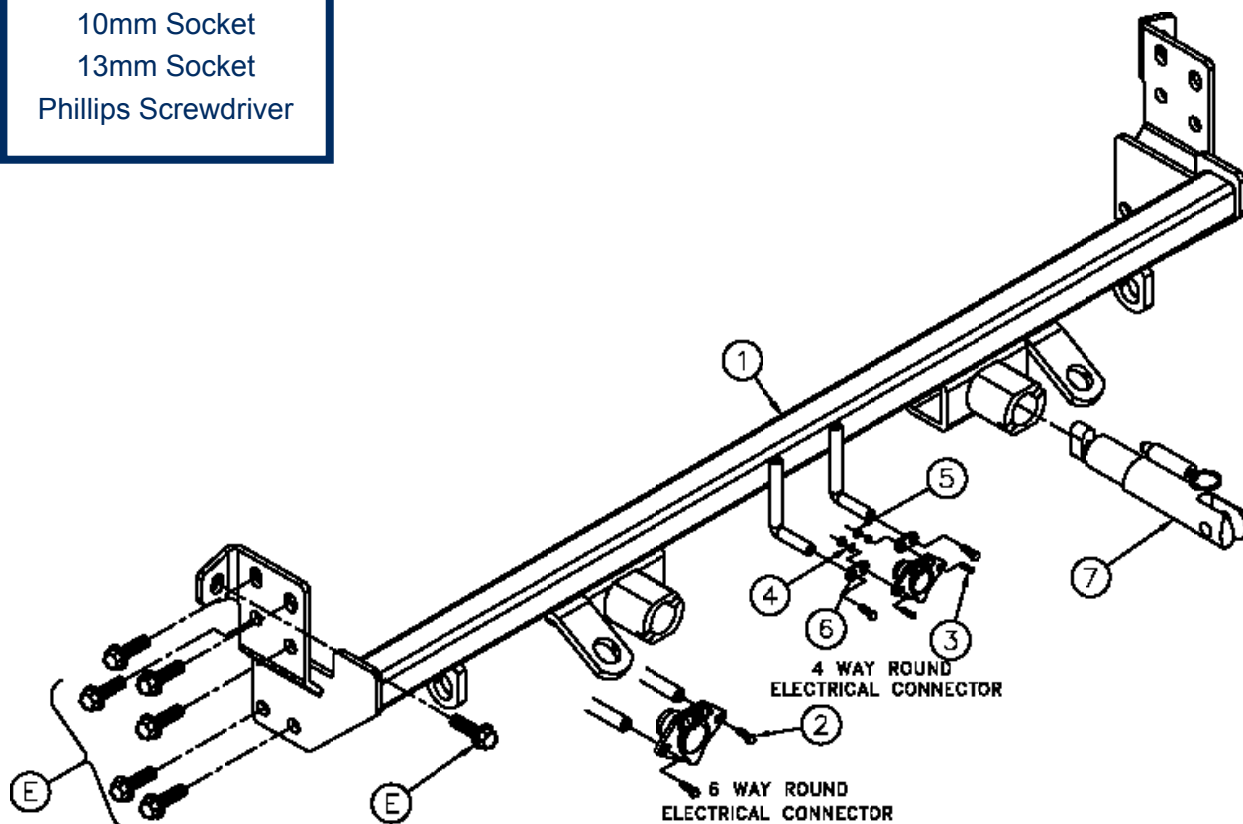
## Installation Instructions

### Parts List

Ref. No.	Qty.	Part #	Description
1	1	61-6282	Weldment, Base Plate, BX2183
2	2	201-0553	1/4-20 1/2" Hx. Wshd, Type F Screw
3	2	201-0192	#10-32 x 1/2" Slot, Rd. Hd. Screw
4	2	203-0054	#10 Lock Washer
5	2	202-0047	#10-32 Hex Nut
6	2	101-5822	Adapter, 4-Way Connector
7	2	62-3468	Attachment, Assembly, SF/SB (R)
E	14		Existing Metric Bolts
	2	226-0046	Baseplate Safety Cable, 36" CL III (Not Shown)
	4	229-0359	Quicklink, 3/8, ZP (Not Shown)
	2	290-0437	Receiver Cap, Plug (Not Shown)

### Tools Required

Loctite® RED  
10mm Socket  
13mm Socket  
Phillips Screwdriver



### Important:

Use only genuine factory replacement parts on your baseplate. Do **NOT** substitute homemade or non-typical parts. If a bolt is lost or in need of replacement, for your safety and the preservation of your baseplate, be sure to use a replacement bolt of the same grade (In most cases it will be Grade 5, please reference the parts list above). Replacement parts may be ordered through your nearest Blue Ox® Dealer or Distributor. Failing to follow and/or altering these installation instructions in either installation or required equipment will void the manufacturer's warranty. Towing behind a non-motorized vehicle will void the warranty.

# 2006-07 Mercury Mariner Hybrid

## Installation Instructions

### Attachment Tabs:

Motorhome mount tow bars are recommended for use with this baseplate. Due to the design of the removable tabs, the RangeFinderII, Adventurer, and Ambassador tow bars can not be used. The Acclaim tow bar may be used, but will not fold and store on the front of the vehicle. Adapters, except the BX8833 and BX88151, can not be used with this baseplate.

**Installation Notes:** The fascia, belly pan and tie down brackets are removed for installation. The tie down brackets are not reinstalled.

The dimensional variations between otherwise identical vehicles can be considerable. While the baseplate was designed for easy installation, it may be necessary to tailor the baseplate slightly to compensate for auto manufacturer's tolerances. These minor adjustments may include filing a hole slightly, bending electrical rods or bending end plates.

The BX8869 Bulb and Socket Wiring Kit is recommended for this vehicle.



Possible Location for the BX8869 Bulb and Socket Wiring Kit.

Handling of some cosmetic parts when installing this product may require the use of protective covers, rags, specialty tools, etc. to prevent damage.

### Installation Instructions:



1. On the upper corner of grille, use the 10mm socket to remove one metric bolt. Do this to both sides of the vehicle. Set bolts aside to be reinstalled later.



2. Just forward of the front tire, inside the wheel well, remove three Phillips pushpins. Do this to both sides of the vehicle. Set pushpins aside to be reinstalled later.

BX2183

# 2006-07 Mercury Mariner Hybrid

## Installation Instructions



3. Using the 10mm socket, remove two metric bolts from bottom corner of fascia, just forward of front tire, and one metric bolt just behind the tie down bracket. Do this to both sides of the vehicle. Set bolts aside to be reinstalled later.



4. Remove one pushpin from bottom corner of fascia. Do this to both sides of the vehicle. Set pushpins aside to be reinstalled later.



5. Under the front of fascia, remove a Phillips pushpin on each side of the license plate. Pull fascia forward to remove. Set pushpins and fascia aside carefully to be reinstalled later.



6. On the front corner of belly pan, use the 10mm socket to remove one metric bolt. Do this to both sides of the vehicle. Set bolts aside to be reinstalled later.

# 2006-07 Mercury Mariner Hybrid

## Installation Instructions



7

- On the front center of belly pan, use the 10mm socket to remove one metric bolt. Pull belly pan down to remove. Set bolt and belly pan aside to be reinstalled later.

**BE SURE TO USE LOCTITE® RED ON ALL BOLTS BEFORE TIGHTENING. TIGHTEN ALL BOLTS ACCORDING TO THE TORQUE CHART ON THE FRONT PAGE OF THESE INSTRUCTIONS OR ON PAGE 3 OF THE BASEPLATE TOWING GENERAL INSTRUCTIONS.**



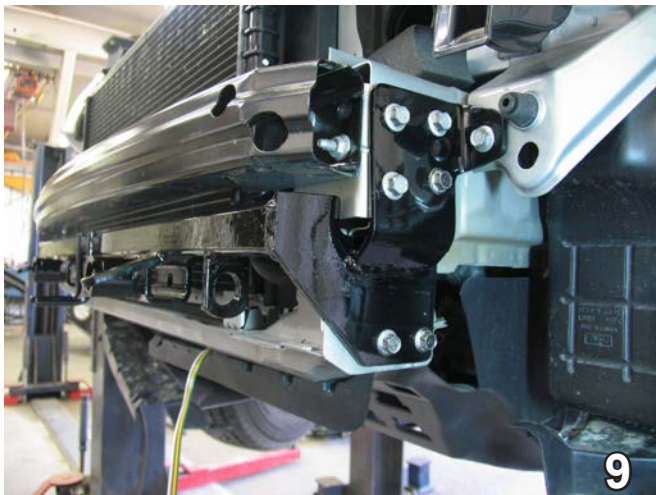
8

- Using the 13mm socket, remove seven metric bolts from the frame and tie down bracket. Remove tie down bracket. Do this to both sides of the vehicle. Set bolts aside to be reinstalled later. **NOTE: Tie down bracket is not reinstalled, set aside to be returned to the customer.**

Be sure that **ALL** electrical connections are plugged in properly and functioning **BEFORE** Installing the fascia.

### DEALER or INSTALLER:

**Be certain the user receives the instruction sheets for their products.**



9

- Align baseplate with the seven existing holes in the frame. Insert the existing bolts into the baseplate and tighten. Do this to both sides of the vehicle.

- Reinstall pushpins, bolts, belly pan and fascia. The tie down brackets are not reinstalled.

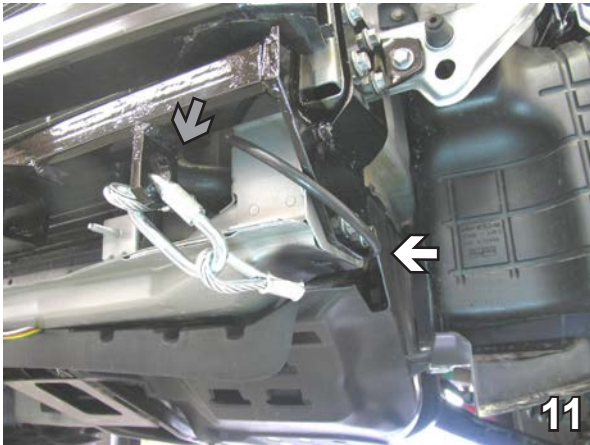
Install the tow bar and safety cables according to the instructions provided in their packages. When demonstrating this to the customer, be sure to include all the contents and packages.

Do **NOT** substitute other devices if the tow bar pins and clips are misplaced.

BX2183

# 2006-07 Mercury Mariner Hybrid

## Installation Instructions



11. Attach the permanent baseplate safety cables to the provided convenience link on the baseplate (see grey arrow). The photo above shows the recommended installation of the cables to frame of vehicle (see white arrow). Additional options may interfere with suggested mounting; in this case secure the cables to a solid piece of the frame as described in the instructions included with the permanent baseplate safety cables. Be sure the safety cables do not rub against any hoses or moving parts. Do this to both sides of the vehicle.



Shown without removable tabs installed.



Shown with removable tabs installed.

### CUSTOMER SERVICE COMMITMENT

Blue Ox is committed to providing you with exceptional customer care throughout your lifetime with our products. Our team is here to assist you with any questions you may have regarding the performance of your product. Simply call 1-800-228-9289 and you can speak with our customer care team.

Additionally, please visit our website to see which rallies our Destination America team will be attending. For a nominal fee, our service technician will service your towing system to ensure it's in proper working condition. Also as a commitment to our customers, should you visit our factory you can stay at our full service Blue Ox campground at no charge along with enjoying a factory tour.

Again thank you for being our customer and for the confidence you have shown in the performance of our products. It is because of customers like you we enjoy the success we have today.



If the baseplate is in an accident, it must be replaced. DO NOT use it again! An accident can cause unseen damage and using it again could result in more damage or serious injury. DO NOT use the baseplate if it is damaged or missing parts.

© 2006, 10 Blue Ox  
One Mill Road, Industrial Park  
Pender, Nebraska 68047

Phone: (402) 385-3051 • Fax: (402) 385-3360  
[www.blueox.com](http://www.blueox.com)

# General Information

1. Ensure that your product(s) are registered online at [www.blueox.com](http://www.blueox.com). It is crucial to register your product(s) so that you may be alerted of product offerings, updates, upgrades, maintenance and safety bulletins, and/or recalls.
2. **It is the owner's responsibility to inspect all towing equipment for cracked welds, missing or worn parts and loose bolts before each towing trip.** Be sure to use Loctite® Red on all bolts and tighten to the recommended specifications.
3. **It is the owner's responsibility to hook up all towing equipment per manufacturer's instructions/recommendations.**
4. Remove the attachment tabs when not in use (if applicable).

## Notice To Baseplate Installer

1. **It is YOUR responsibility to watch for:**

- Oil cooler and air conditioner lines
- Electrical wires and hoses
- Missing parts or attaching points on the frame

\*\* If the baseplate is improperly installed and is against a wire or hose, it could cause fluid leaks or electrical shorts some time after the actual baseplate installation.

## Permanent Baseplate Safety Cable Installation

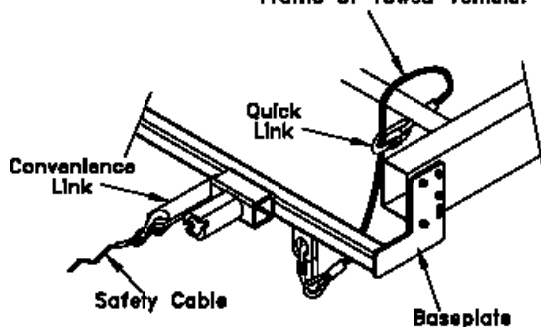
Permanent baseplate safety cables are strongly recommended when towing a vehicle with a tow bar. The principle function of the permanent baseplate safety cables is to prevent the towed vehicle from breaking loose in the event the connection between the frame of the towed vehicle and the baseplate fails or becomes disconnected. The cables must be connected from the baseplate to the frame rail or cross member of the vehicle's frame. The illustrations below show the possible arrangements recommended by Blue Ox®. Each permanent baseplate safety cable must have an adequate weight rating for the towing system. The weight rating of the two (2) cables together will not qualify.

***Do not mount the permanent baseplate safety cables against wires, hoses or brake lines.***

These permanent baseplate safety cables should remain installed as long as the baseplate is installed on the vehicle. Permanent baseplate safety cables are to be used in conjunction with, and NOT a replacement for legally required safety cables attaching the towed vehicle to the towing vehicle.

### OPTION #1

Permanent Baseplate Safety Cables to Cross Member or Frame of Towed Vehicle.



### OPTION #2

Permanent Baseplate Safety Cables to Cross Member or Frame of Towed Vehicle.

