



BLUE OX® 2000 Suzuki Grand Vitara

Baseplate Installation Instructions

BX3513

(4Wd / 4Dr)

Installation Instructions

Serial Number

Please read BOTH these Installation Instructions and the General Instructions before attempting to install or operate this equipment.

- Blue Ox® towing products and accessories are intended to be installed by Blue Ox® Dealers who are familiar with our products and have the equipment necessary and knowledge to do "fit work". When necessary Blue Ox® Dealers can be found at www.blueox.us or by contacting our Customer Care Department at (402) 385-3051 or toll free (888) 425-5382.
- Many Blue Ox® Baseplates are designed to use existing holes and hardware to mount the baseplate to the towed vehicle. Even though bolts are there, do not assume they are adequate for baseplate mounting. Always use hardware supplied in the hardware kit and existing hardware specified in the Baseplate Installation Instructions.

Confirm the towability and pre-towing procedures for your vehicle with the owner's manual or contact the vehicle's manufacturer for specific towing procedures.

Bolt Torque Specifications

Torque in Foot-Pounds for Metric Bolts

Bolt Size	Grade 8.8	Grade 10.9
6MM	6	8
8MM	16	22
10MM	31	40
12MM	54	70
14MM	89	117

Bolt Torque Specifications

Torque in Foot-Pounds for Inch Bolts

Bolt Size	Grade 5	Grade 8
1/4"	10	14
5/16"	19	29
3/8"	33	47
7/16"	54	78
1/2"	78	119
5/8"	154	230

WARNING

Failure to read and follow these instructions could result in separation of the towed vehicle from the tow bar, causing property damage, loss of towed vehicle, personal injury or death.

BX3513

2000 Suzuki Grand Vitara (4Wd / 4Dr)

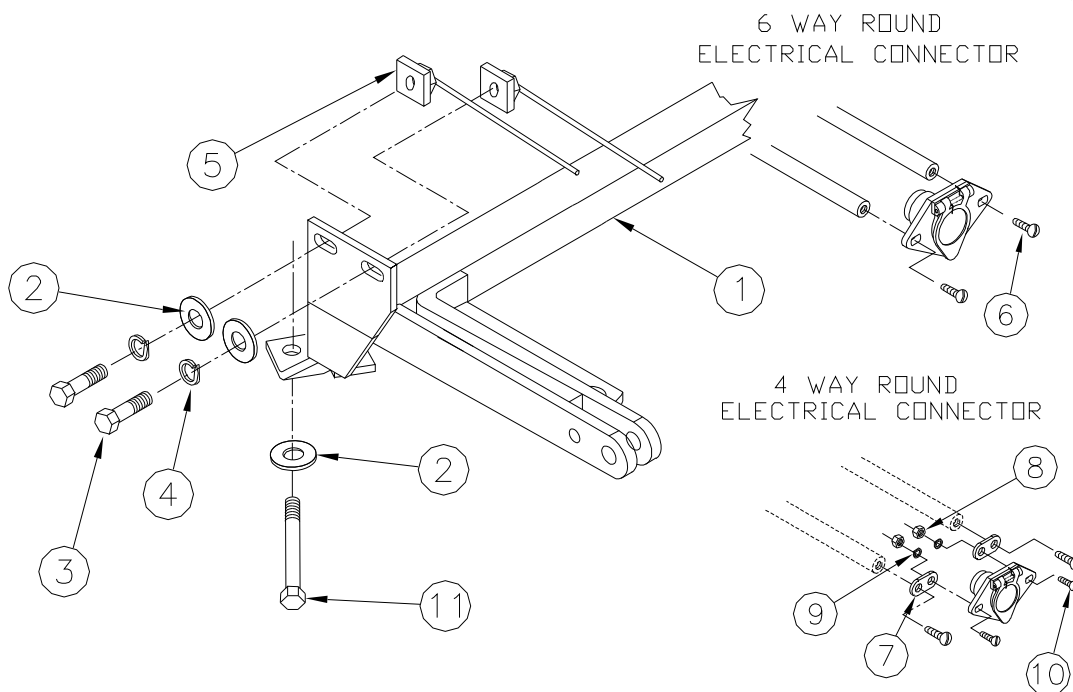
Installation Instructions

Tools Required

3/4" Socket	1/2" Drill Bit	Loctite
Phillip Screwdriver	18MM Socket	10MM Socket
Center Punch	Utility Knife	Flat Screwdriver

Parts List

Ref. No.	Qty.	Part No.	Description
1	1	61-5427	Baseplate BX3513
2	4	203-0005	1/2" Flat Washer
3	4	201-0011	1/2"-13 x 1 1/4" Hex Bolt, Grade 5
4	4	203-0012	1/2" Lock Washer
5	4	61-4029	1/2" Nut with Wire
6	2	201-0979	#12-14 x 1" Self Drilling Screw, ZP
7	2	101-5822	Adapter, 4 Way Connector
8	2	202-0047	#10-32 Hex Nut
9	2	203-0054	#10 Lock Washer
10	2	201-0192	#10-32 x 1/2 Rd. Head Screw
11	2	201-0610	12mm-1.25 x 120mm Hex Bolt
	2	226-0046	Baseplate Safety Cable, 36" CL III (Not Shown)
	2	229-0359	Quicklink, 3/8, ZP (Not Shown)



Important:

Use only genuine factory replacement parts on your baseplate. Do NOT substitute homemade or non-typical parts. If a bolt is lost or in need of replacement, for your safety and the preservation of your baseplate, be sure to use a replacement bolt of the same grade (In most cases it will be Grade 5, please reference the parts list above). Replacement parts may be ordered through your nearest Blue Ox® Dealer or Distributor, or call our Customer Care Team at (402)385-3051.

BX3513

2000 Suzuki Grand Vitara (4Wd / 4Dr)

Installation Instructions

Standard Tabs:

To use certain adapters or a RangeFinderII towbar in conjunction with standard tab baseplates an additional 5/16" hole must be drilled in the attachment tabs. The Ambassador tow bar will require an adapter for attachment tabs that are not 24" wide. The Adventurer tow bar will require an adapter for attachment tabs that are less than 24" wide. The Acclaim tow bar will not fold and store without the use of an adapter on vehicles with attachment tabs less than 24" wide.

Instructions:

Installation of this baseplate requires removing the middle grill and bumper fascia. Holes need to be drilled in the inside frame. The lower grill needs to be widened to allow for the attachment tabs.

The dimensional variations between otherwise identical vehicles can be considerable. While the baseplate was designed for easy installation, it may be necessary to tailor the baseplate slightly to compensate for auto manufacturer's tolerances. These minor adjustments may include filing a hole slightly, bending electrical rods, and/ or bending end plates.

The BX8869 Bulb and Socket Wiring Kit is recommended for this vehicle.

Installation Instructions

1. Open the hood and the top push pins from the center grill piece. The grill piece is molded around the bottom of the headlights also. These narrow pieces on the outside of this molding snaps into a place on the very end. Use a flat screw driver to help each end out of its holding position being careful not to scratch or break the piece.
2. Remove the three Hex bolts from each head light, pull the headlight assembly forward and disconnect the electrical connectors. Set the headlight assemblies aside.
3. Remove the phillip head screw pins from the top of the plastic fascia.
4. Remove the 10MM bolts which connect the fender to the fascia. Set back behind the fascia forward of the front tires. Also remove the push pin on the bottom of the fascia forward of the tire.
5. Remove the 10MM bolts that are on the bottom of the bumper fascia. Pull the fascia forward enough to be able to reach the electrical wiring for the lights on the side of the fascia. Now set the bumper fascia aside. Remove the center brace exposed from removing bumper. It is held with two 10MM Hex bolts. It will be installed again once the baseplate is installed.



Figure 1

BX3513

2000 Suzuki Grand Vitara (4Wd / 4Dr)

Installation Instructions

6. With the vehicle on ramps notice the frame of the vehicle and the set of two Hex bolts on the inside of the cross member. Remove the front bolts and set aside. The back braces of the baseplate bolt to these locations using the longer 12MM Hex bolt in the bolt bag supplied. Use Loctite on each bolts and slightly tighten each bolt. See Figure 1.
7. Hold the baseplate up so the attachment tabs are level to the ground. You may want to place the fascia back on to the vehicle and measure the lower grill opening to get the correct measurement for the attachment tabs. Center punch and drill the 1/2" holes for the side plates. It may be necessary to clamp the side plates to the frame. See Figure 1.
8. Once the holes are drilled for both sides, insert the wire nuts through the front holes in the front metal bumper. Use Loctite and torque all bolts according to the chart in the General Instruction Sheet.
9. Replace the fog lights and bumper fascia. It may be necessary to trim the back of the fascia to allow it to sit in its original position. It may be necessary to pull out on the outside piece of the fog light brackets to replace them.
10. Install the tow bar and safety cables according to the instructions included in their packages.
11. DEALER OR INSTALLER: BE CERTAIN THE USER RECEIVES THE INSTRUCTION SHEET.

Install the tow bar and safety cables according to the instructions included in their packages.

Do not substitute other devices if the tow bar pin and clip are lost.

DEALER OR INSTALLER: BE CERTAIN THE USER RECEIVES THE INSTRUCTION SHEETS.

Be sure that **ALL** electrical connections are plugged in properly and functioning **BEFORE** Installing the fascia.

CUSTOMER SERVICE COMMITMENT

Blue Ox is committed to providing you with exceptional customer care throughout your lifetime with our products. Our team is here to assist you with any questions you may have regarding the performance of your product. Simply call 1-800-228-9289 and you can speak with our customer care team.

Additionally, please visit our website to see which rallies our Destination America team will be attending. For a nominal fee, our service technician will service your towing system to ensure it's in proper working condition. Also as a commitment to our customers, should you visit our factory you can stay at our full service Blue Ox campground at no charge along with enjoying a factory tour.

Again thank you for being our customer and for the confidence you have shown in the performance of our products. It is because of customers like you we enjoy the success we have today.



© 2004, 09 Blue Ox
One Mill Road, Industrial Park
Pender, Nebraska 68047
Phone: (402) 385-3051
Toll Free: (888) 425-5382
Fax: (402) 385-3360
www.blueox.us

General Information

1. Ensure that your product(s) are registered online at www.blueox.com. It is crucial to register your product(s) so that you may be alerted of product offerings, updates, upgrades, maintenance and safety bulletins, and/or recalls.
2. **It is the owner's responsibility to inspect all towing equipment for cracked welds, missing or worn parts and loose bolts before each towing trip.** Be sure to use Loctite® Red on all bolts and tighten to the recommended specifications.
3. **It is the owner's responsibility to hook up all towing equipment per manufacturer's instructions/recommendations.**
4. Remove the attachment tabs when not in use (if applicable).

Notice To Baseplate Installer

1. It is YOUR responsibility to watch for:

- Oil cooler and air conditioner lines
- Electrical wires and hoses
- Missing parts or attaching points on the frame

** If the baseplate is improperly installed and is against a wire or hose, it could cause fluid leaks or electrical shorts some time after the actual baseplate installation.

Permanent Baseplate Safety Cable Installation

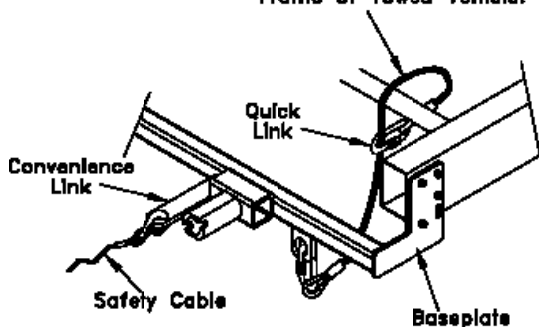
Permanent baseplate safety cables are strongly recommended when towing a vehicle with a tow bar. The principle function of the permanent baseplate safety cables is to prevent the towed vehicle from breaking loose in the event the connection between the frame of the towed vehicle and the baseplate fails or becomes disconnected. The cables must be connected from the baseplate to the frame rail or cross member of the vehicle's frame. The illustrations below show the possible arrangements recommended by Blue Ox®. Each permanent baseplate safety cable must have an adequate weight rating for the towing system. The weight rating of the two (2) cables together will not qualify.

Do not mount the permanent baseplate safety cables against wires, hoses or brake lines.

These permanent baseplate safety cables should remain installed as long as the baseplate is installed on the vehicle. Permanent baseplate safety cables are to be used in conjunction with, and NOT a replacement for legally required safety cables attaching the towed vehicle to the towing vehicle.

OPTION #1

Permanent Baseplate Safety Cables to Cross Member or Frame of Towed Vehicle.



OPTION #2

Permanent Baseplate Safety Cables to Cross Member or Frame of Towed Vehicle.

