

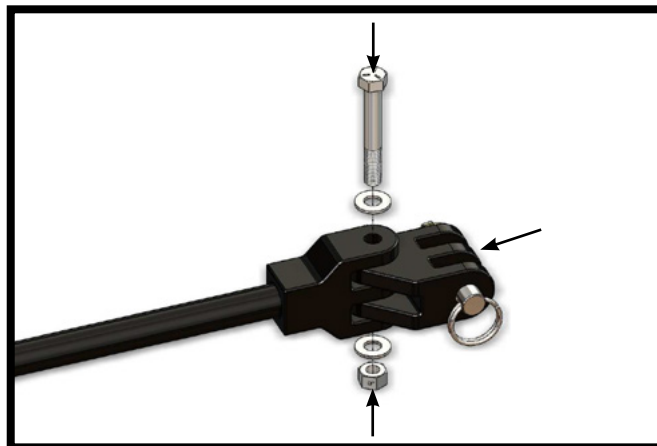
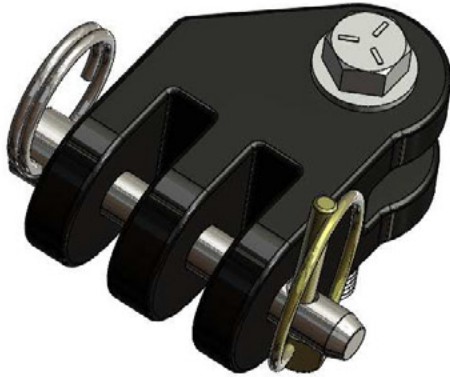


**BLUE OX**

**BX88306**

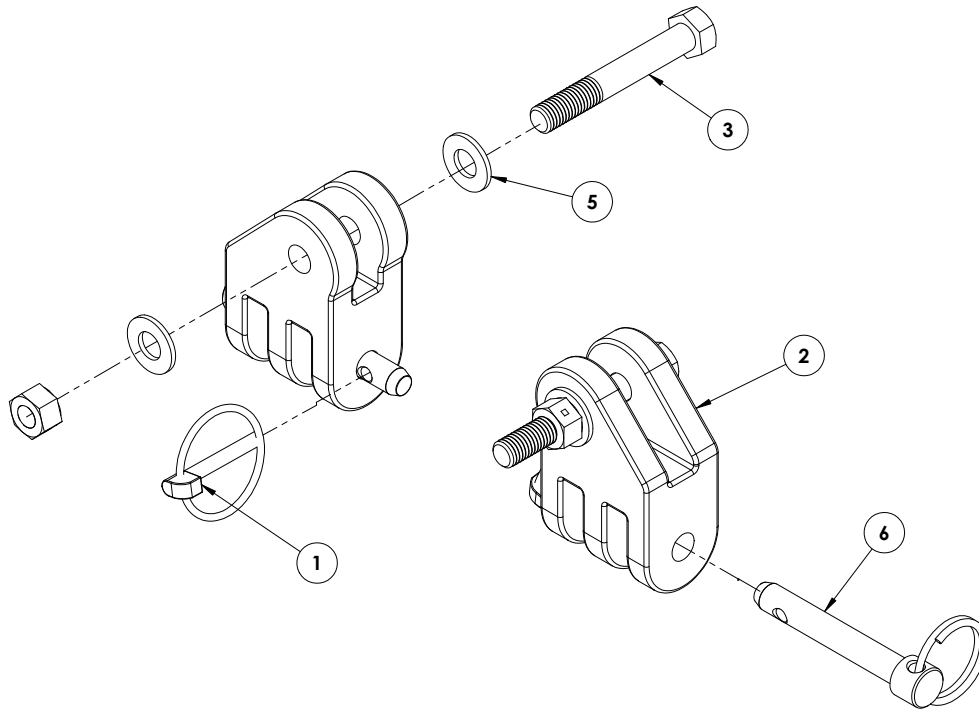
Blue Ox Baseplate Lug Kit, 20K/40K  
Installation Instructions

Serial Number



1. Install the lug onto the tow bar leg with the 1/2"-13 x 3-1/2" bolt, 1/2" washers and 1/2"-13 lock nut provided. Do this on both tow bar legs.

**BX88306**  
**Blue Ox Baseplate Lug Kit, 20K/40K**  
**Installation Instructions**



**Tools Required**

3/4" Socket  
 3/4" Wrench

| Item No. | Part No.       | Description                                  | Qty. |
|----------|----------------|--|------|
| 1.....   | 62-3213 .....  | Quick Pin .....                              | 2    |
| 2.....   | 100-1266 ..... | Lug .....                                    | 2    |
| 3.....   | 201-0369 ..... | 1/2"-13 x 3-1/2" Hex Head Bolt, Grade 5..... | 2    |
| 4.....   | 202-0016 ..... | 1/2"-13 Hex Dimple Lock Nut, ZP.....         | 2    |
| 5.....   | 203-0005 ..... | 1/2" Flat Washer, ZP.....                    | 4    |
| 6.....   | 229-0520 ..... | Pin, 1/2" x 2-5/8" Effective .....           | 2    |

**CUSTOMER SERVICE COMMITMENT**

Blue Ox® is committed to providing you with exceptional customer care throughout your lifetime with our products. Our team is here to assist you with any questions you may have regarding the performance of your product. Simply call (402) 385-3051 and you can speak with our customer care team.

Additionally, please visit our website to see which rallies our Destination America team will be attending. For a nominal fee, our service technician will service your towing system to ensure it's in proper working condition. Also, as a commitment to our customers, should you visit our factory, you can stay at our full service Blue Ox® campground at no charge along with enjoying a factory tour.

Again, thank you for being our customer and for the confidence you have shown in the performance of our products. It is because of customers like you we enjoy the success we have today.

© 2014 Blue Ox  
 One Mill Road, Industrial Park  
 Pender, Nebraska 68047  
 Phone: (402) 385-3051  
 Fax: (402) 385-3360  
[www.blueox.com](http://www.blueox.com)