



## BX1827 Installation Instructions

Serial No.

### 1997 Nissan Maxima

The front bumper fascia and lower rock guards are removed for baseplate installation. Holes need to be drilled and the bumper fascia may need to be trimmed. DEALER OR INSTALLER: BE CERTAIN CUSTOMER RECEIVES THIS INSTRUCTION SHEET.

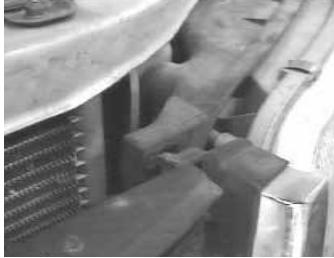


Figure 1

1. Open the hood and remove the center grill by releasing the outside clips on each end. Figure 1. Set grill aside.



Figure 5

2. Remove the top Hex bolts and the outside push pins. Figure 2 and 3.



Figure 2

3. Remove the lower screws holding the plastic rock guards. Figure 4.



Figure 6

4. Remove the inside screws fastening the bumper fascia and fenders. Figure 5. Pull fascia from vehicle.

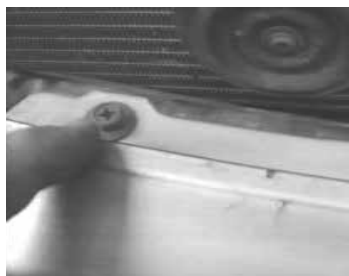


Figure 3

5. Remove the tie down brackets and replace them with the drivers and passengers side brackets for the baseplate. Use existing bolts and Loctite. Figure 6.



Figure 7

6. Bolt the baseplate to the side brackets and clamp it to the front bumper. Figure 7 and 8.



Figure 4

7. Drill 1/2" holes for the front braces using the baseplate as a template



Figure 8

# Automatic



**Figure 9**

8. Insert wire nut plates through side of bumper, the bumper may need to be pryed up next to the large slots on top. Line up nut plate and thread the 1/2" bolt with a lock washer. Use Loctite. Figure 9 and 10.



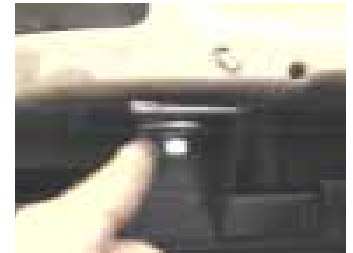
**Figure 11**

9. Tighten all bolts according to the Torque Chart in the General Instruction Sheet. Figure 11 and 12.



**Figure 10**

10. Hold the bumper molding up to its original position and mark areas which may need to be trimmed to allow for the baseplate. Replace bumper facia and any electrical wiring.



**Figure 12**

### Tools Required

10MM Wrench  
Phillips Screwdriver

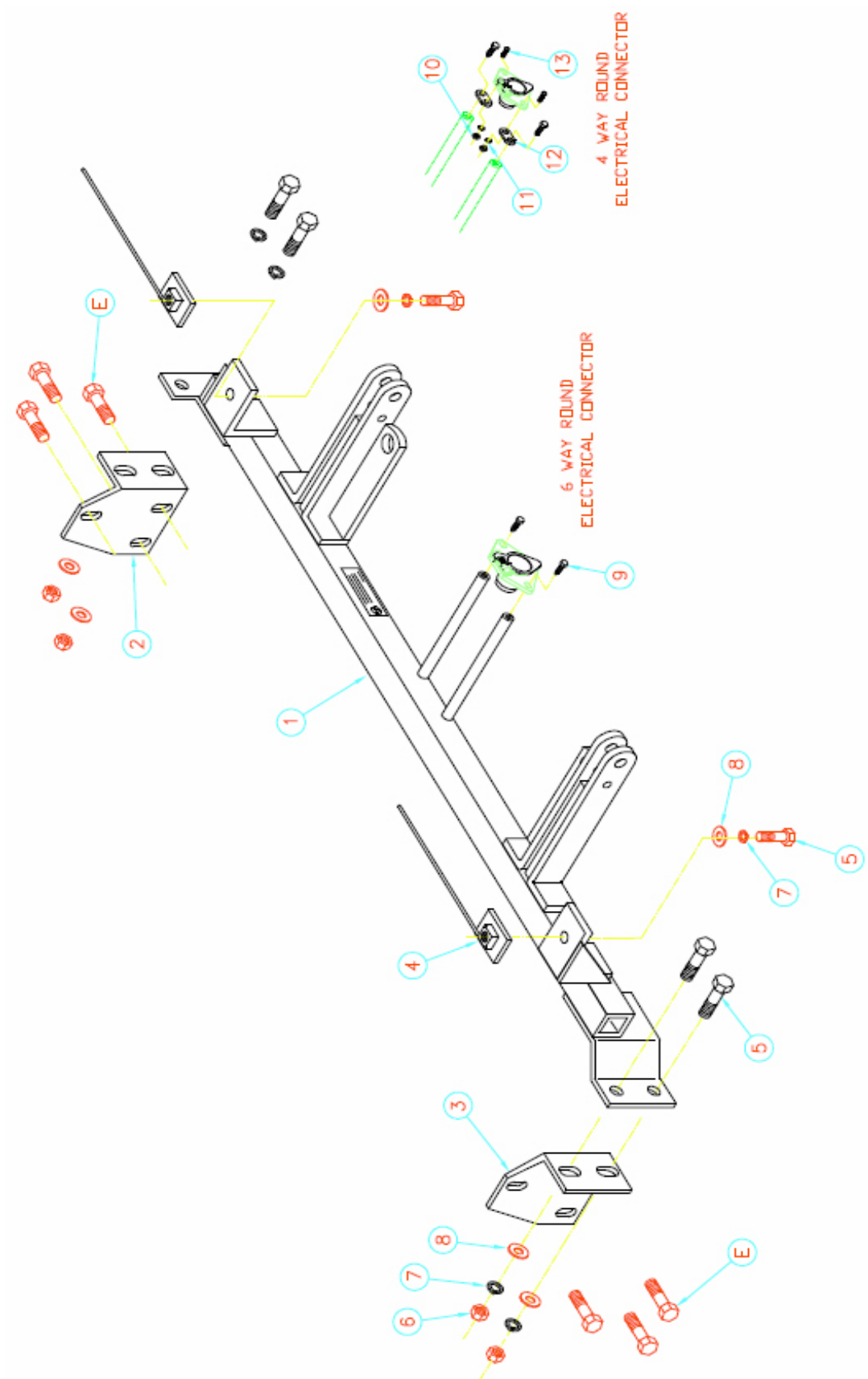
3/4" Wrench  
1/2" Drill Bit

Loctite Blue

Adjustable C-Clamp

### Parts List

Ref. No.	Qty.	Part No.	Description
1	1	61-5502	Baseplate, BX1827
2	1	101-6016	Drivers Side Bracket
3	1	101-6017	Passenger Side Bracket
4	2	61-3799	1/2" Nut Plate with Wire
5	6	201-0051	1/2-13 x 1 1/2 Hex Bolt, Grade 5
6	4	202-0005	1/2-13 Hex Nut
7	6	203-0012	1/2 Lock Washer, ZP
8	6	203-0005	1/2 Flat Washer
9	2	201-0979	#12-14 X 1" Self Drilling Screw, ZP
10	2	202-0047	#10-32 Hex Nut
11	2	203-0054	#10 Lock Washer
12	2	101-5822	Adapter, 4 Way Connector
13	2	201-0192	#10-32 x 1/2 Slot, Rd. Hd. Screw
E	6		Existing Bolts, Tie Down Brackets



# General Information

1. Ensure that your product(s) are registered online at [www.blueox.com](http://www.blueox.com). It is crucial to register your product(s) so that you may be alerted of product offerings, updates, upgrades, maintenance and safety bulletins, and/or recalls.
2. **It is the owner's responsibility to inspect all towing equipment for cracked welds, missing or worn parts and loose bolts before each towing trip.** Be sure to use Loctite® Red on all bolts and tighten to the recommended specifications.
3. **It is the owner's responsibility to hook up all towing equipment per manufacturer's instructions/recommendations.**
4. Remove the attachment tabs when not in use (if applicable).

## Notice To Baseplate Installer

### 1. It is YOUR responsibility to watch for:

- Oil cooler and air conditioner lines
- Electrical wires and hoses
- Missing parts or attaching points on the frame

\*\* If the baseplate is improperly installed and is against a wire or hose, it could cause fluid leaks or electrical shorts some time after the actual baseplate installation.

## Permanent Baseplate Safety Cable Installation

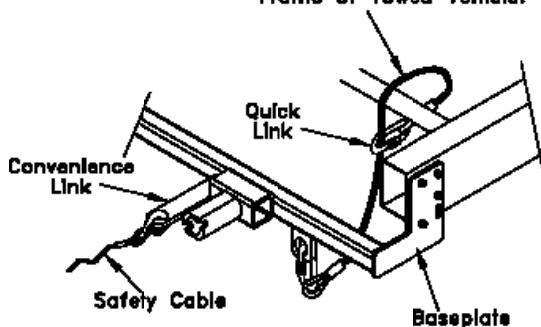
Permanent baseplate safety cables are strongly recommended when towing a vehicle with a tow bar. The principle function of the permanent baseplate safety cables is to prevent the towed vehicle from breaking loose in the event the connection between the frame of the towed vehicle and the baseplate fails or becomes disconnected. The cables must be connected from the baseplate to the frame rail or cross member of the vehicle's frame. The illustrations below show the possible arrangements recommended by Blue Ox®. Each permanent baseplate safety cable must have an adequate weight rating for the towing system. The weight rating of the two (2) cables together will not qualify.

***Do not mount the permanent baseplate safety cables against wires, hoses or brake lines.***

These permanent baseplate safety cables should remain installed as long as the baseplate is installed on the vehicle. Permanent baseplate safety cables are to be used in conjunction with, and NOT a replacement for legally required safety cables attaching the towed vehicle to the towing vehicle.

### OPTION #1

Permanent Baseplate Safety Cables to Cross Member or Frame of Towed Vehicle.



### OPTION #2

Permanent Baseplate Safety Cables to Cross Member or Frame of Towed Vehicle.

