



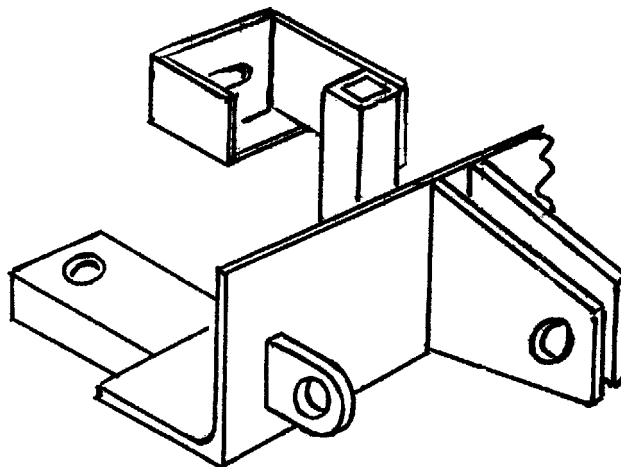
BX2203 Installation Instructions 1980-83 Honda Civic 1300/1500

Installation of this baseplate requires removing the front bumper and the rubber strip from beneath the bumper.

1. Read the General Instruction Sheet included with this baseplate.
2. The baseplate mounts using four existing bolts on the car; the lower bolts on each side which attach the bumper shock absorbers to the chassis and the front bolts on the anti-sway bar chassis mounts.
3. Remove the rubber strip from the lower front edge of the car beneath the bumper. This strip will not be used again.
4. Remove the front bumper by moving the two bolts under each end of the bumper; detaching the plastic fittings that hold the plastic bumper ends to the front fenders; and unsnapping the wiring connectors for the parking lights.
5. Hold the baseplate in position to help identify the bolts to be used for mounting. (See sketch)
6. Remove the four bolts noted in Step 2.
7. Install the baseplate. Note the suggested use of Loctite or a similar product.
8. Reinstall the bumper reversing the steps in Step 4.
9. The dimensional variations between otherwise identical cars can be considerable. While the location and size of the holes in the baseplate were designed to facilitate easy installation, it may be necessary to file a hole slightly to allow a bolt to clear.
10. Install the tow bar and safety cables according to the instructions included in their packages.
11. Do not substitute other devices if the pin and clip are lost.
12. DEALER OR INSTALLER: BE CERTAIN THE USER RECEIVES THE INSTRUCTION SHEET.

Parts List

Ref. No.	Qty.	Part No.	Description
1	1	61-3668	Baseplate, BX2203



Passenger Side of Car

Automatic