



BX2303 Installation Instructions 1993-95 Hyundai Excel 1994 Hyundai Scoupe

1. Read the General Instruction Sheet included with this baseplate.
2. The baseplate mounts to the front underside of the vehicle using six existing bolts; two from each tie down bracket and two from the front of the engine/transaxel support beam.
3. Using a phillips head screwdriver, remove two screws on each side which attach the bellypan/ wheel well in the area of the "tie down" brackets (metal stampings with an oval hole on each side).
4. Remove the "tie down" brackets using a 14mm socket and a 14mm open end wrench. Save the bolts. The lower bolts on the plastic water bottle located on the drivers side must be removed using a 10mm socket to gain access to the "tie down" bracket.
5. Place a jack under the engine/transaxel beam and apply modest upward pressure to provide support.
6. Remove the two front bolts which hold the engine/transaxel beam using a 17mm socket. Do not remove the steel spacer spools or the rubber "grommet like" beam mounts. The bolts are long and have a captive washer. They will be used again. Do not remove the washer.
7. With an assistant, position the baseplate up under the front of the car aligning the two holes on each side plate to the "tie down" bracket holes. Hand start the 4 bolts removed in Step 4. Use Locktite, but do not tighten yet.
8. The dimensional variations between otherwise identical cars can be considerable. While the location and size of the holes in the baseplate were designed to facilitate easy installation, it may be necessary to file or drill a hole slightly to allow a bolt to clear.
9. Place the center mount channel under the front center and hand start the bolts removed in Step 6. (Note, the channel is symmetrical). Use Locktite, but do not tighten yet.
10. Attach the other end of the center mount channel to the baseplate assembly using the two 1/2"-13 bolts, nuts, and lock washers provided. Use Locktite, but do not tighten yet.
11. Tighten fully the front beam bolts hand started in Step 9.
12. Tighten the side plate bolts hand started in Step 7.
13. Tighten the center mount channel bolts and nuts started in Step 10.
14. Install the tow bar and safety cables according to the instructions included in their packages.
15. Do not substitute other devices if the pin and clip are lost.
16. **DEALER OR INSTALLER:** BE CERTAIN THE USER RECEIVES THE INSTRUCTION SHEET.

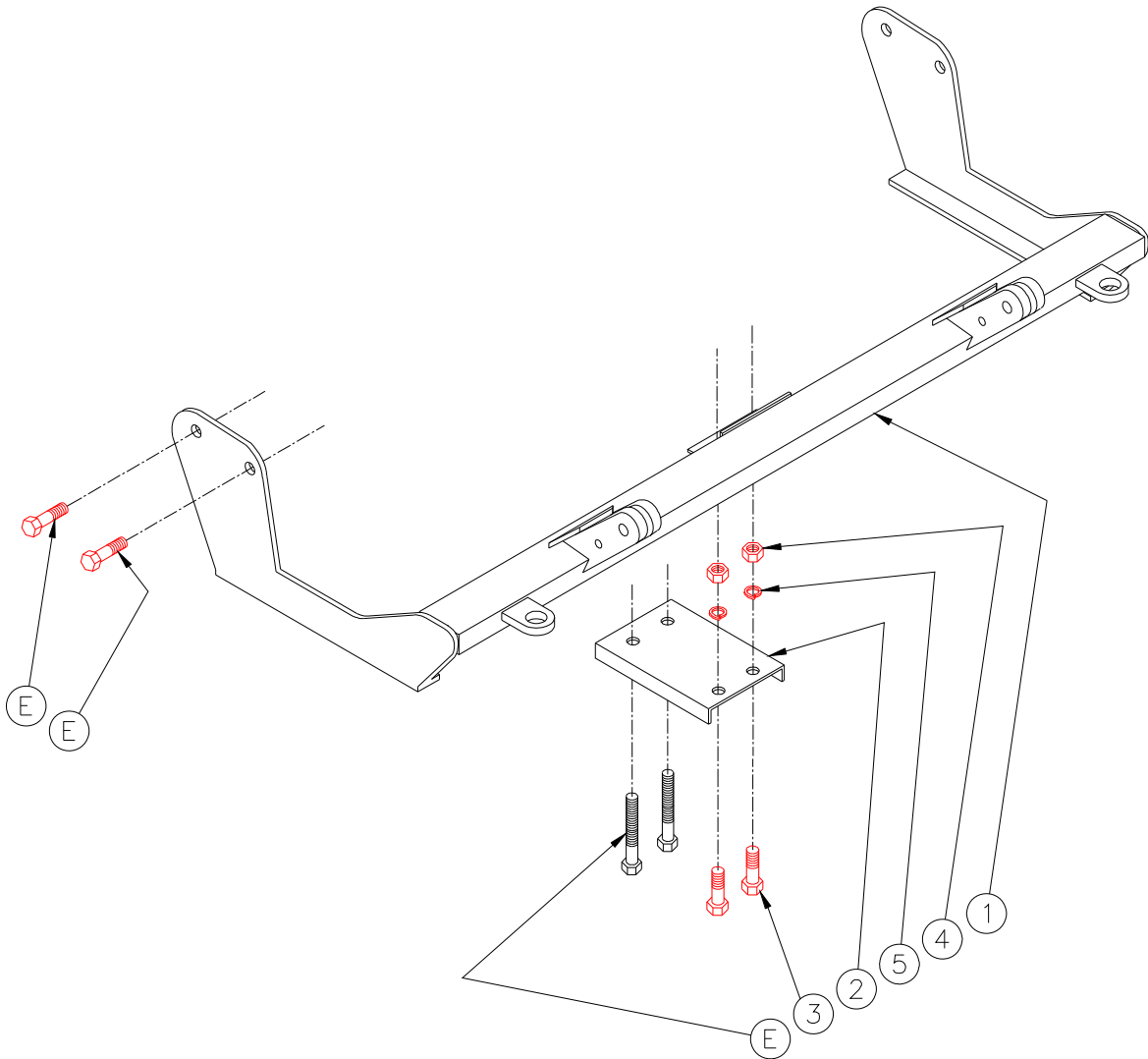
Automatic

Tools Required

Phillips Screwdriver	10mm Socket	14mm Socket
14mm Wrench	Jack	3/4" Wrench
3/4" Socket	17mm Socket	Locktite Blue

Parts List

Ref. No.	Qty.	Part No.	Description
1	1	61-4121	Weldment, Baseplate, BX2303
2	1	101-5114.....	Plate, Center Mount, BX2303
3	2	201-0060	1/2-13 x 1 Hex Bolt, Grd 5
4	2	202-0005	1/2-13 Hex Nut
5	2	203-0012	1/2 Lock Washer
E	2	Existing Bolts And Nuts



General Information

1. Ensure that your product(s) are registered online at www.blueox.com. It is crucial to register your product(s) so that you may be alerted of product offerings, updates, upgrades, maintenance and safety bulletins, and/or recalls.
2. **It is the owner's responsibility to inspect all towing equipment for cracked welds, missing or worn parts and loose bolts before each towing trip.** Be sure to use Loctite® Red on all bolts and tighten to the recommended specifications.
3. **It is the owner's responsibility to hook up all towing equipment per manufacturer's instructions/recommendations.**
4. Remove the attachment tabs when not in use (if applicable).

Notice To Baseplate Installer

1. It is YOUR responsibility to watch for:

- Oil cooler and air conditioner lines
- Electrical wires and hoses
- Missing parts or attaching points on the frame

** If the baseplate is improperly installed and is against a wire or hose, it could cause fluid leaks or electrical shorts some time after the actual baseplate installation.

Permanent Baseplate Safety Cable Installation

Permanent baseplate safety cables are strongly recommended when towing a vehicle with a tow bar. The principle function of the permanent baseplate safety cables is to prevent the towed vehicle from breaking loose in the event the connection between the frame of the towed vehicle and the baseplate fails or becomes disconnected. The cables must be connected from the baseplate to the frame rail or cross member of the vehicle's frame. The illustrations below show the possible arrangements recommended by Blue Ox®. Each permanent baseplate safety cable must have an adequate weight rating for the towing system. The weight rating of the two (2) cables together will not qualify.

Do not mount the permanent baseplate safety cables against wires, hoses or brake lines.

These permanent baseplate safety cables should remain installed as long as the baseplate is installed on the vehicle. Permanent baseplate safety cables are to be used in conjunction with, and NOT a replacement for legally required safety cables attaching the towed vehicle to the towing vehicle.

OPTION #1

Permanent Baseplate Safety Cables to Cross Member or Frame of Towed Vehicle.



OPTION #2

Permanent Baseplate Safety Cables to Cross Member or Frame of Towed Vehicle.

