



## **BX2304 INSTALLATION INSTRUCTIONS 1994-95 HYUNDAI ELANTRA**

1. Read the General Instruction Sheet included with this baseplate.
2. The baseplate mounts to the front underside of the car using six bolts: two from each “tie down” bracket and two from the engine/transmission beam.
3. Remove the two bolts securing each “tie down” bracket with a 17mm wrench. Access to these requires partially removing the splash shield from each fender well by removing three screws on each side with a phillips head screwdriver: two on the lower edge and one up in the fender well. In addition, on the driver’s side, you will need to unbolt the windshield washer bottle using a phillips head screwdriver and a 10mm socket. Access these from the fender well and under the hood. On the passenger’s side, loosen the canister and slightly bend the mount bracket.
4. Position a jack under the midpoint of the longitudinal beam supporting the engine/transmission. Adjust the jack to apply slight “upward” pressure.
5. Using a 17mm socket, remove the two front bolts from the engine/transmission beam.
6. Install the center support bracket using the bolts removed in the previous step. Apply Loctite to the threads of the bolt but do not fully tighten.
7. With assistance, position the baseplate up under the front, aligning the two holes on each side plate to the “tie down” bracket holes and the two center tab holes to the center support bracket. Apply Loctite and install the four tie down bracket bolts removed in step 3. Attach the center bracket with the two 1/2-13 bolts, lock washers, and nuts supplied. Use Loctite, but do not tighten.
8. The dimensional variations between otherwise identical cars can be considerable. While the location and size of the holes in the bracket were designed to allow for easy installation, it may be necessary to file a hole slightly to allow a bolt to clear.
9. Fully tighten the two engine/transmission beam bolts.
10. Tighten all other hardware.
11. Resecure the canister, washer fluid bottle, and splash shields.
12. Install the tow bar and safety cables according to the instructions included in their packages.
13. Do not substitute other devices if the tow bar pin and clip are lost.
14. DEALER OR INSTALLER: BE CERTAIN THE USER RECEIVES THE INSTRUCTION SHEET.

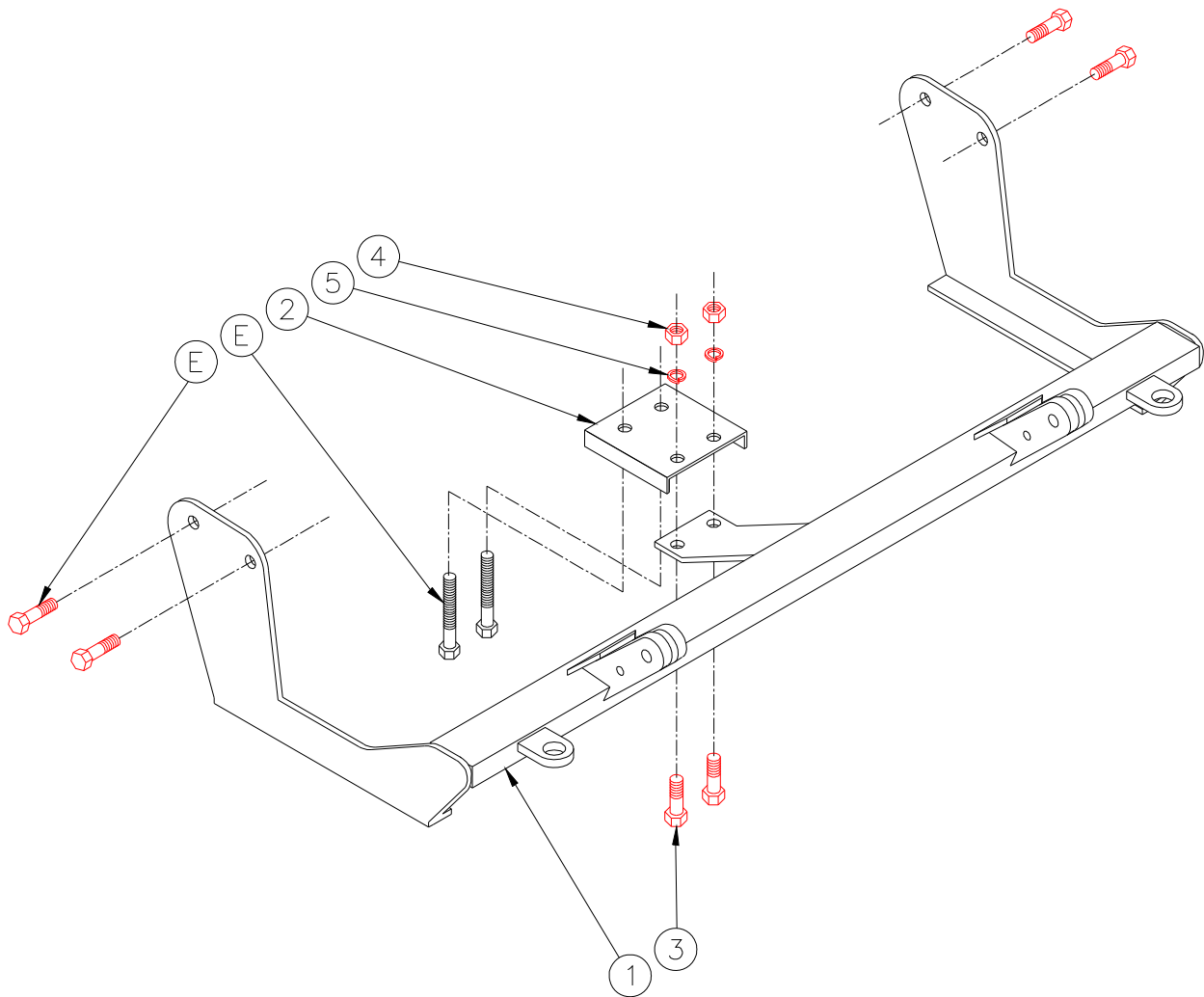
### **Tools Required**

17mm Socket	17mm Wrench	10mm Socket
Phillips Screwdriver	3/4 Socket	3/4 Wrench
Loctite Blue		

### **Parts List**

# **Automatic**

Ref. No.	Qty.	Part No.	Description
1	1	61-4405	Weldment, Baseplate, BX2304
2	1	101-5239	Plate, Center Mount Bracket, BX2304
3	2	201-0011	1/2-13 x 1 1/4 Hex Bolt, Grd 5
4	2	202-0005	1/2-13 Hex Nut
5	2	203-0012	1/2 Lock Washer



# General Information

1. Ensure that your product(s) are registered online at [www.blueox.com](http://www.blueox.com). It is crucial to register your product(s) so that you may be alerted of product offerings, updates, upgrades, maintenance and safety bulletins, and/or recalls.
2. **It is the owner's responsibility to inspect all towing equipment for cracked welds, missing or worn parts and loose bolts before each towing trip.** Be sure to use Loctite® Red on all bolts and tighten to the recommended specifications.
3. **It is the owner's responsibility to hook up all towing equipment per manufacturer's instructions/recommendations.**
4. Remove the attachment tabs when not in use (if applicable).

## Notice To Baseplate Installer

### 1. It is YOUR responsibility to watch for:

- Oil cooler and air conditioner lines
- Electrical wires and hoses
- Missing parts or attaching points on the frame

\*\* If the baseplate is improperly installed and is against a wire or hose, it could cause fluid leaks or electrical shorts some time after the actual baseplate installation.

## Permanent Baseplate Safety Cable Installation

Permanent baseplate safety cables are strongly recommended when towing a vehicle with a tow bar. The principle function of the permanent baseplate safety cables is to prevent the towed vehicle from breaking loose in the event the connection between the frame of the towed vehicle and the baseplate fails or becomes disconnected. The cables must be connected from the baseplate to the frame rail or cross member of the vehicle's frame. The illustrations below show the possible arrangements recommended by Blue Ox®. Each permanent baseplate safety cable must have an adequate weight rating for the towing system. The weight rating of the two (2) cables together will not qualify.

***Do not mount the permanent baseplate safety cables against wires, hoses or brake lines.***

These permanent baseplate safety cables should remain installed as long as the baseplate is installed on the vehicle. Permanent baseplate safety cables are to be used in conjunction with, and NOT a replacement for legally required safety cables attaching the towed vehicle to the towing vehicle.

### OPTION #1

Permanent Baseplate Safety Cables to Cross Member or Frame of Towed Vehicle.



### OPTION #2

Permanent Baseplate Safety Cables to Cross Member or Frame of Towed Vehicle.

