



Strong As An Ox™

BX3610 Installation Instructions 2002 Subaru Legacy "L" Wagon

Serial No.

The front fascia and tie down brackets are removed for baseplate installation. Tie down brackets will not be reinstalled. No holes to drill. The BX8869 is available for the vehicle. Attachment Tabs are 24 inches center to center and a height of 15 inches.



1. Remove the five push pins from the top side of fascia.



2. Just forward of front tire, on lower fascia corner, remove the two push pins, both sides.



3. Remove three push pins from the under side of fascia and cross member.



4. Using the 10MM socket, remove the metric bolt inside wheel well on upper fascia corner, both sides. Pull fascia forward and set aside.



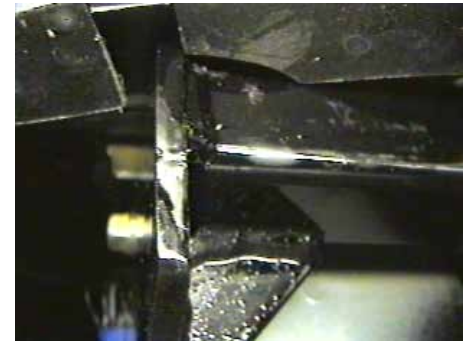
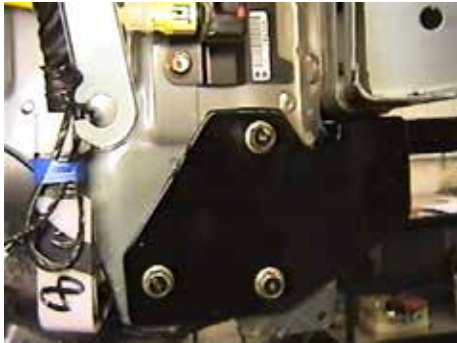
5. Using the 14MM socket, remove three metric bolts from driver's side tie down bracket. Tie down brackets will not be reinstalled. Metric bolts will be used later to install baseplate.



6. Remove passenger's side tie down bracket with the 14MM socket.



Strong As An Ox™



7. Hold baseplate to align with tie down bracket mounting position and fasten with existing metric bolts, both sides. **Be sure and use loctite on all bolts before tightening.**
8. Hold fascia in place and mark areas that need to be trimmed on passenger's side, trim accordingly and reinstall fascia.
9. The dimensional variations between otherwise identical cars can be considerable. While the location and size of the holes in the baseplate were designed to allow for easy installation, it may be necessary to file a hole slightly to allow a bolt to clear.
10. Install the tow bar and safety cables according to the instructions included in their packages.
11. Do **not** substitute other devices if the tow bar pin and clip are lost.
12. **DEALER OR INSTALLER: BE CERTAIN THE USER RECEIVES THE INSTRUCTION SHEET.**



**Location for the BX8869,
view of driver's
side bottom taillight
assembly.**



Strong As An Ox™

Tools Required

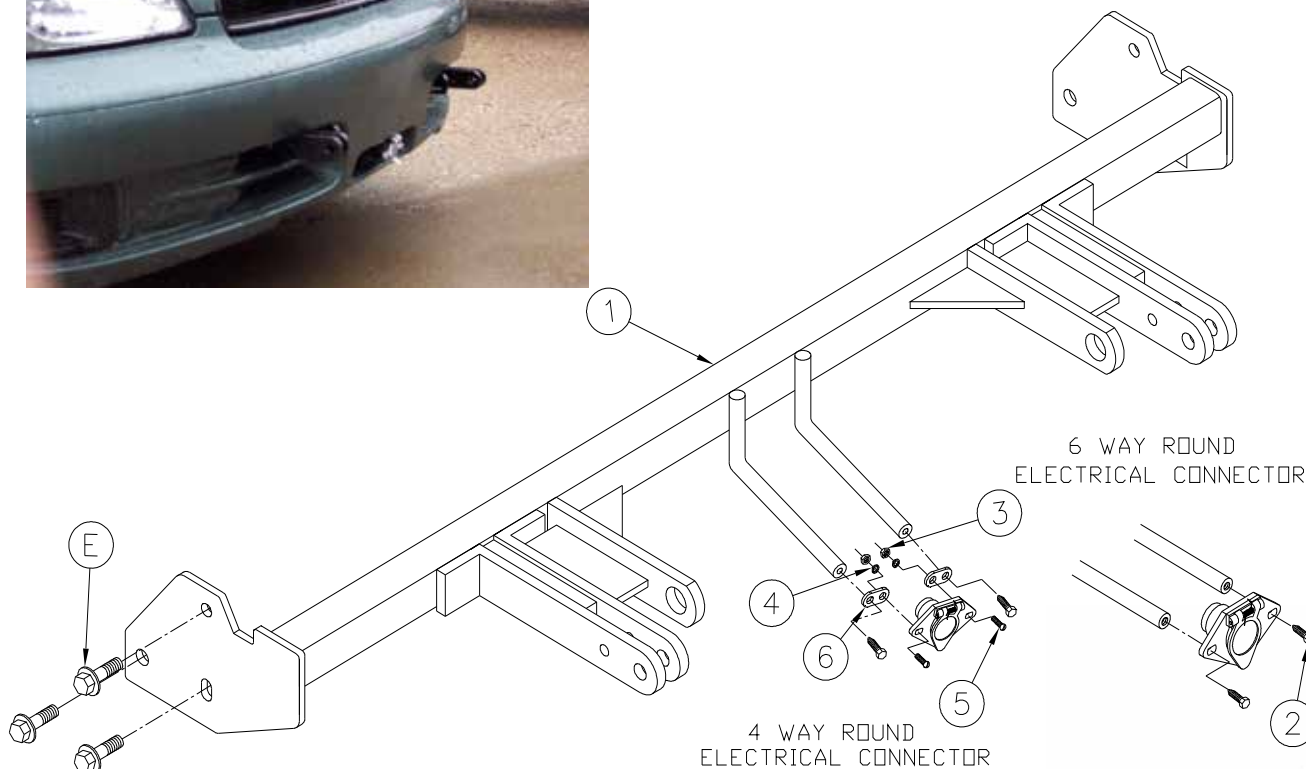
10MM Socket

Loctite Blue

14MM Socket

Parts List

Ref. No.	Qty.	Part No.	Description
1	1	61-5784	Weldment, Base Plate, BX3610
2	2	201-0979	#12-14 x 1" Self Drilling Screw, ZP
3	2	201-0192	#10-32 x 1/2 Slot, Rd. Hd. Screw
4	2	203-0054	#10 Lock Washer
5	2	202-0047	#10-32 Hex Nut
6	2	101-5822	Adapter, 4 Way Connector
E	6		Existing Tie Down Bracket Metric Bolts
	2	226-0046	Baseplate Safety Cable, 36" CL III (Not Shown)
	4	229-0359	Quicklink, 3/8, ZP (Not Shown)



IMPORTANT: Use only genuine factory replacement parts on your Base Plate. Do not substitute homemade or nontypical parts. If a bolt is lost or in need of replacement, for your safety and the preservation of your Base Plate, be sure to use a replacement bolt of the same grade (Usually Grade 5, refer to parts list). Repair parts may be ordered through your nearest **Blue Ox** dealer or distributor.

General Information

1. Ensure that your product(s) are registered online at www.blueox.com. It is crucial to register your product(s) so that you may be alerted of product offerings, updates, upgrades, maintenance and safety bulletins, and/or recalls.
2. **It is the owner's responsibility to inspect all towing equipment for cracked welds, missing or worn parts and loose bolts before each towing trip.** Be sure to use Loctite® Red on all bolts and tighten to the recommended specifications.
3. **It is the owner's responsibility to hook up all towing equipment per manufacturer's instructions/recommendations.**
4. Remove the attachment tabs when not in use (if applicable).

Notice To Baseplate Installer

1. It is YOUR responsibility to watch for:

- Oil cooler and air conditioner lines
- Electrical wires and hoses
- Missing parts or attaching points on the frame

** If the baseplate is improperly installed and is against a wire or hose, it could cause fluid leaks or electrical shorts some time after the actual baseplate installation.

Permanent Baseplate Safety Cable Installation

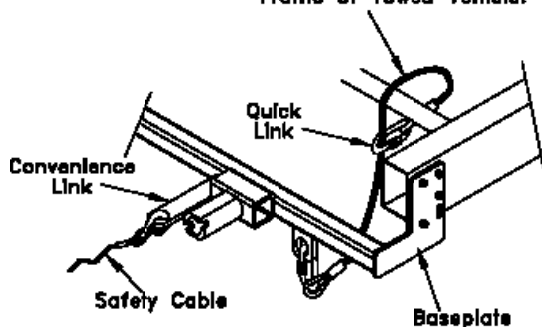
Permanent baseplate safety cables are strongly recommended when towing a vehicle with a tow bar. The principle function of the permanent baseplate safety cables is to prevent the towed vehicle from breaking loose in the event the connection between the frame of the towed vehicle and the baseplate fails or becomes disconnected. The cables must be connected from the baseplate to the frame rail or cross member of the vehicle's frame. The illustrations below show the possible arrangements recommended by Blue Ox®. Each permanent baseplate safety cable must have an adequate weight rating for the towing system. The weight rating of the two (2) cables together will not qualify.

Do not mount the permanent baseplate safety cables against wires, hoses or brake lines.

These permanent baseplate safety cables should remain installed as long as the baseplate is installed on the vehicle. Permanent baseplate safety cables are to be used in conjunction with, and NOT a replacement for legally required safety cables attaching the towed vehicle to the towing vehicle.

OPTION #1

Permanent Baseplate Safety Cables to Cross Member or Frame of Towed Vehicle.



OPTION #2

Permanent Baseplate Safety Cables to Cross Member or Frame of Towed Vehicle.

