



BX88151

Triple Lug Kit

Roadmaster Tow Bar (Black Hawk II/Eagle/Falcon/Sterling)
to Blue Ox Baseplate

Installation Instructions

Serial Number



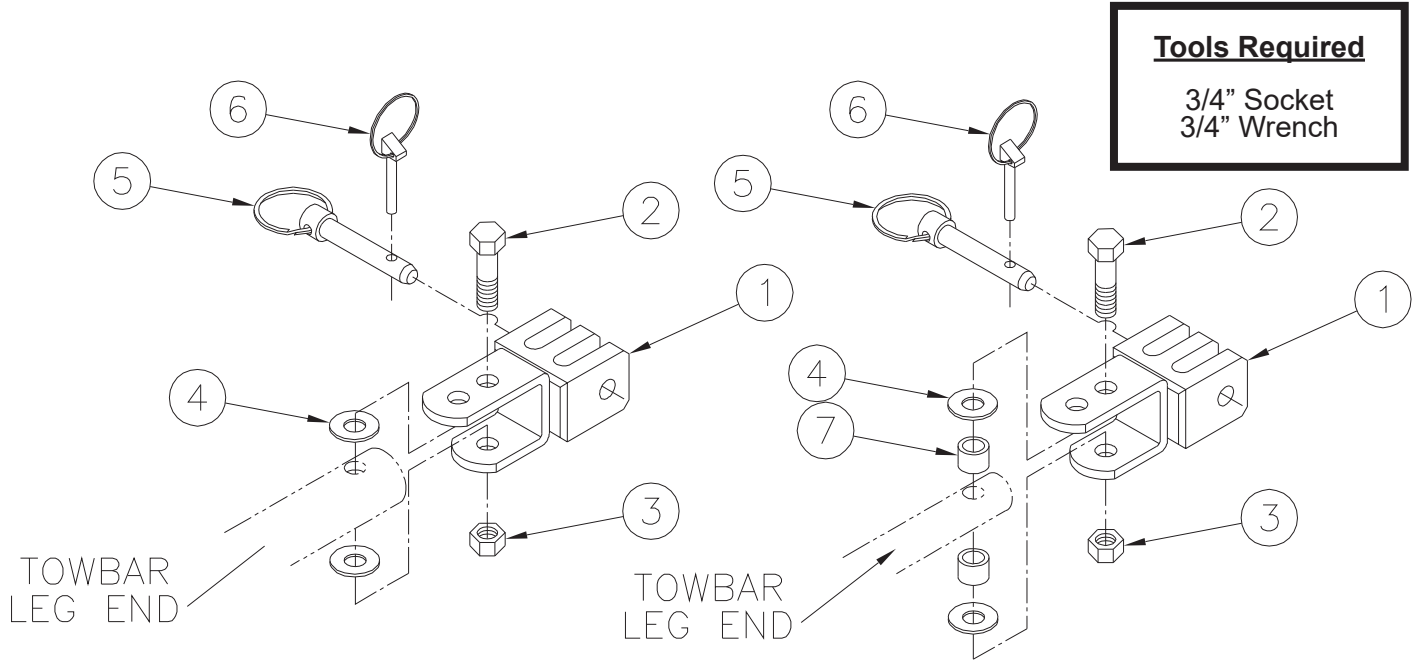
The BX88151 Triple Lug Kit is designed to adapt Roadmaster tow bars - Black Hawk II, Eagle, Falcon and Sterling™ - to Blue Ox® baseplates.

Installation Instructions

1. Place triple lug connectors over the end of the tow bar arms.
2. Install triple lug connectors to the tow bar arms using the hex bolts, washers, and nuts.
3. To attach the tow bar to the baseplate, insert the triple lug connector into the attachment tab of the baseplate. Align the holes of the triple lug connectors with the holes of the attachment tabs, and pin in place using the Quick Pin Assemblies and Pins.

BX88151 Triple Lug Kit

Roadmaster Tow Bar (Balck Hawk II/Eagle/Falcon/Sterling) to Blue Ox Baseplate Installation Instructions



Item No.	Part No.	Description	Qty.
1.....	61-5381	Triple Lug Connector	2
2.....	201-0616	1/2"-20 x 2-3/4" Hex Head Bolt, Grade 5.....	2
3.....	202-0150	1/2"-20 Hex Nylon Insert Lock Nut	2
4.....	290-0266	1.000 OD x .518 ID Nylon Washer	4
5.....	229-0520	1/2" x 2-5/8" Eff. Pin.....	2
6.....	62-3213	Quick Pin Assembly.....	2
7.....	107-2754	3/4" OD x .120 W Tube.....	4

Important:

USE ONLY GENUINE FACTORY REPLACEMENT PARTS. Do NOT substitute homemade or non-typical parts. This may cause your triple lug kit to fail and result in injury or death. If repairs of parts or components of your triple lug kit are needed, you may order them through your nearest Blue Ox® dealer or distributor, or call our 24/7 Customer Care Team.

CUSTOMER SERVICE COMMITMENT

Blue Ox® is committed to providing you with exceptional customer care throughout your lifetime with our products. Our team is here to assist you with any questions you may have regarding the performance of your product. Simply call (402) 385-3051 and you can speak with our customer care team.

Additionally, please visit our website to see which rallies our Destination America team will be attending. For a nominal fee, our service technician will service your towing system to ensure it's in proper working condition. Also, as a commitment to our customers, should you visit our factory, you can stay at our full service Blue Ox® campground at no charge along with enjoying a factory tour.

Again, thank you for being our customer and for the confidence you have shown in the performance of our products. It is because of customers like you we enjoy the success we have today.

© 2022 Blue Ox
One Mill Road, Industrial Park
Pender, Nebraska 68047
Phone: (402) 385-3051
Fax: (402) 385-3360
www.blueox.com