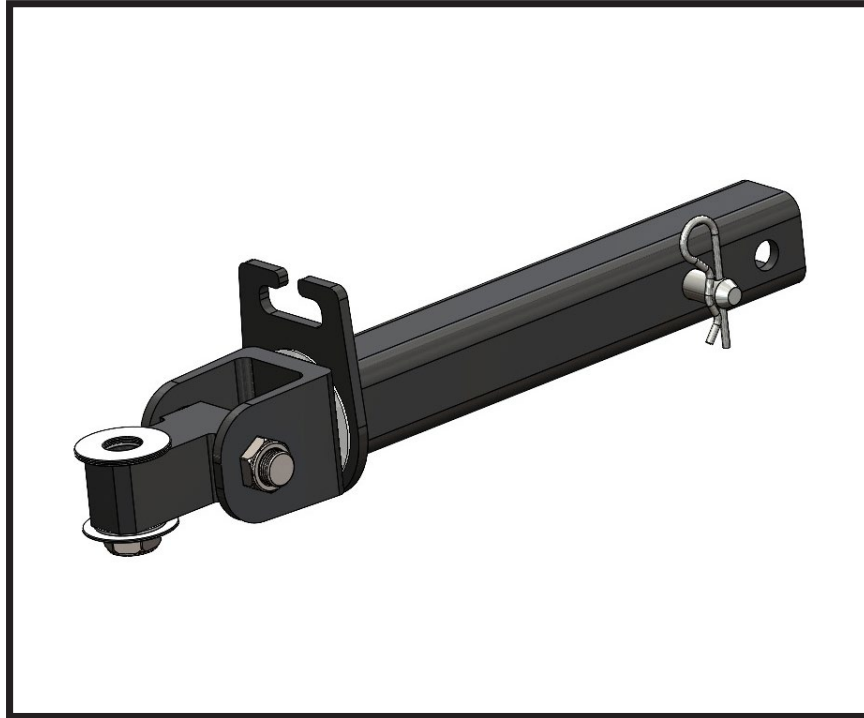




## **BX88438**

# Tow Bar Hitch Connector Installation Instructions



## Tow Bar Hitch Connector BX88438

2" Receiver, Standard, 6,500 lb. Maximum Tow Capacity

**Note: When comparing the maximum tow capacity of the hitch connector and tow bar, the lesser of the two is the total tow capacity of the items together.**

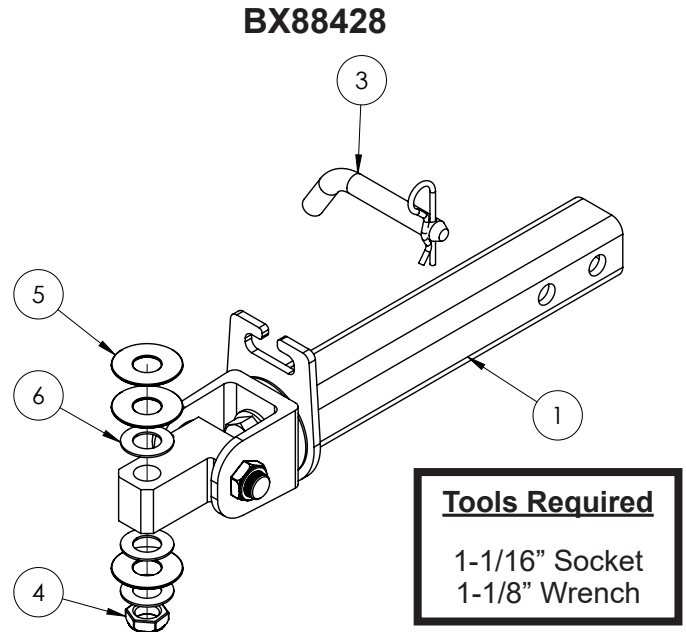
### **Important:**

Use only genuine factory replacement parts on your tow bar. Do **NOT** substitute homemade or non-typical parts. If a bolt is lost or in need of replacement, for your safety and the preservation of your tow bar, be sure to use a replacement bolt of the same grade (In most cases it will be Grade 5, please reference the parts list above). Replacement parts may be ordered through your nearest Blue Ox® Dealer or Distributor. Failing to follow and/or altering these installation instructions in either installation or required equipment will void the manufacturer's warranty.

BX88438  
Tow Bar Hitch Connector  
Installation Instructions

**BX88438 Installation**  
2" Receiver, Standard

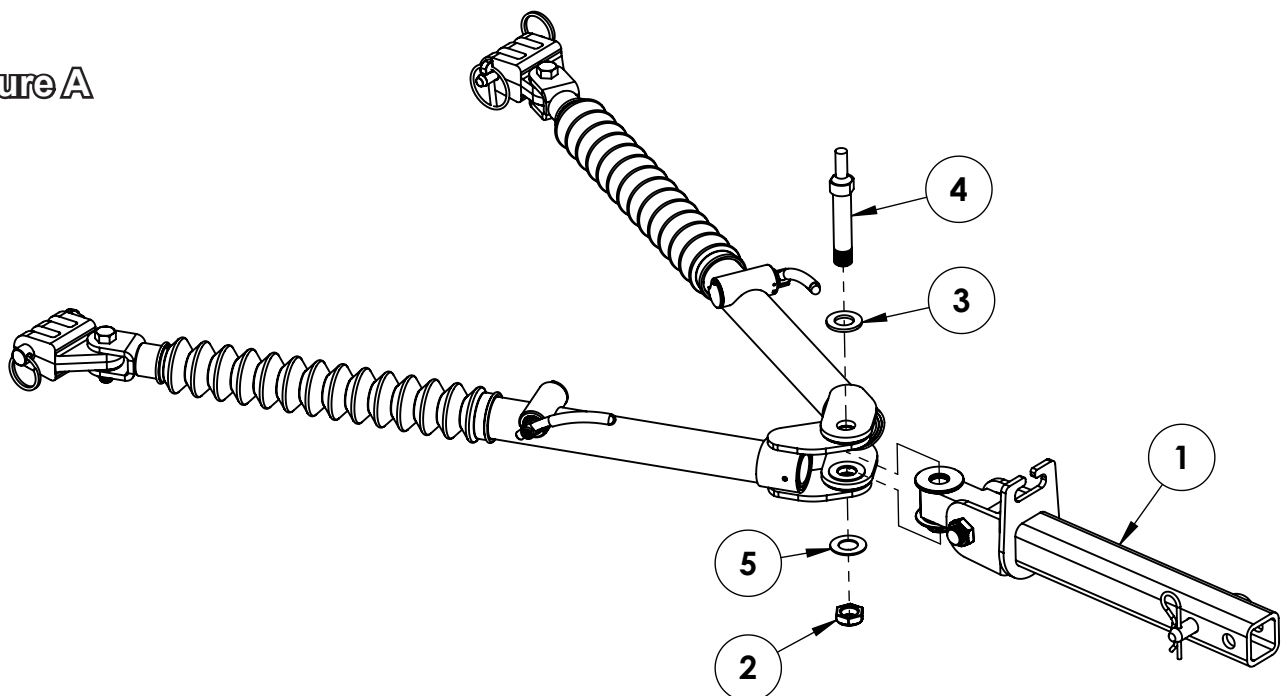
1. Remove the 3/4" nut (Figure A, #2) and hold up bolt (Figure A, #4) from the legs and hitch connector (Figure A, #1). Remove the hitch connector from the legs.
2. Replace the existing plastic washers (Figure A, #5) in between the legs with the new 1-1/2" OD washers. Install the new hitch connector back into the legs.
3. Align the washers with the leg and hitch connector holes and reinstall the bolt thru the legs. Install a new 3/4" nut and washer onto the bolt and tighten down until the legs are snug but can move freely by hand.



**Tools Required**  
1-1/16" Socket  
1-1/8" Wrench

Item No.	Part No.	Description	Qty.
1.....	62-4357 .....	2" Receiver, Standard.....	1
2.....	63-4977 .....	Bolt Bag .....	1
3.....	200-1483 .....	5/8" x 3" Eff. Pin with Clip .....	1
4.....	202-0152 .....	3/4"-16 Hex Nut with Nylon Insert, ZP .....	1
5.....	290-0347 .....	1/16" x 13/16" ID x 2" OD Plastic Spacer .....	3
6.....	290-0360 .....	1/16" x 13/16" ID x 1-1/2" OD Plastic Spacer .....	3

**Figure A**



BX88438  
Tow Bar Hitch Connector  
Installation Instructions

**Tow Bar Maintenance**

This tow bar requires periodic maintenance. It will be subjected to road dirt and weather during use. We recommend a full tow bar service every two (2) years or 10,000 miles. The following tips will help maintain the condition of your new tow bar.

1. Keep the tow bar covered when not in use, on or off of the towing vehicle. This will cut down on the dirt build up on the legs and joints of the tow bar. A BX88309 tow bar cover is recommended.
2. Periodically clean the entire surface of the tow bar with a mild soap and water solution. Wipe dry with a clean cloth.
3. Check for cracked welds and repair any loose, worn or damaged bolts, rubber boots or cap plugs.
4. Approximately once per year or if it is difficult to move the legs in and out, remove the small cable ties holding the rubber boots to the legs and slide the boots back. Clean off the inner legs with a silicone spray or brake cleaner. Apply a light coat of multipurpose grease to each leg to ensure a smooth operation. Secure each boot back in place with an 8" UV rated nylon cable tie.

**Note:** Only the inner legs require grease for normal operation. All other tow bar joints rely on self lubricating washers, if these joints become too stiff clean as directed with soap and water.

5. Before each trip check for movement in the baseplate. Grab the baseplate tabs and move up and down, making sure the baseplate is still secure to the vehicle's frame.

**If the tow bar's legs do not operate smoothly or the joints become excessively loose, take your tow bar to an authorized Blue Ox Dealer or call Blue Ox Customer Care for repairs.**



**CUSTOMER SERVICE COMMITMENT**

Blue Ox® is committed to providing you with exceptional customer care throughout your lifetime with our products. Our team is here to assist you with any questions you may have regarding the performance of your product. Simply call (402) 385-3051 and you can speak with our customer care team.

Additionally, please visit our website to see which rallies our team will be attending. For a nominal fee, our service technician will service your towing system to ensure it's in proper working condition. Also, as a commitment to our customers, should you visit our factory, you can stay at our full service Blue Ox® campground at no charge along with enjoying a factory tour.

Again, thank you for being our customer and for the confidence you have shown in the performance of our products. It is because of customers like you we enjoy the success we have today.

© 2022 Blue Ox  
One Mill Road, Industrial Park  
Pender, Nebraska 68047  
Phone: (402) 385-3051  
Fax: (402) 385-3360  
[www.blueox.com](http://www.blueox.com)